

NOTES:

1. This balustrade system complies with New Zealand Building Code Clauses B1 Structure, F2 Hazardous Building Materials and F4 Safety From Falling Third Edition, subject to:

- all products meeting the required performance specification
- site installation carried out in accordance with intent of this drawing
- minimum balustrade height of 1000mm from finished floor level

2. Based on residential occupancy A, A(other) or C3 of Table 3.3 AS/NZS 1170.1 and very high wind zone or less (1.76 kPa), maximum height and Pradis clamp spacings are:

- Maximum height 1100mm
- Pradis clamps @ 800mm crs for steel, concrete and bolt through with timber
- Pradis clamps @ 600mm crs for timber with lagscrew

3. The design of the concrete, steel or timber support for the balustrade is the responsibility of others.

4. A handrail of 32-50mm diameter is required for stairs and ramps exceeding 1:20 slope. Refer NZBC D1/AS1.

5. Viridian glass options according to 22.4.3 of NZS 4223.3:2016 are:

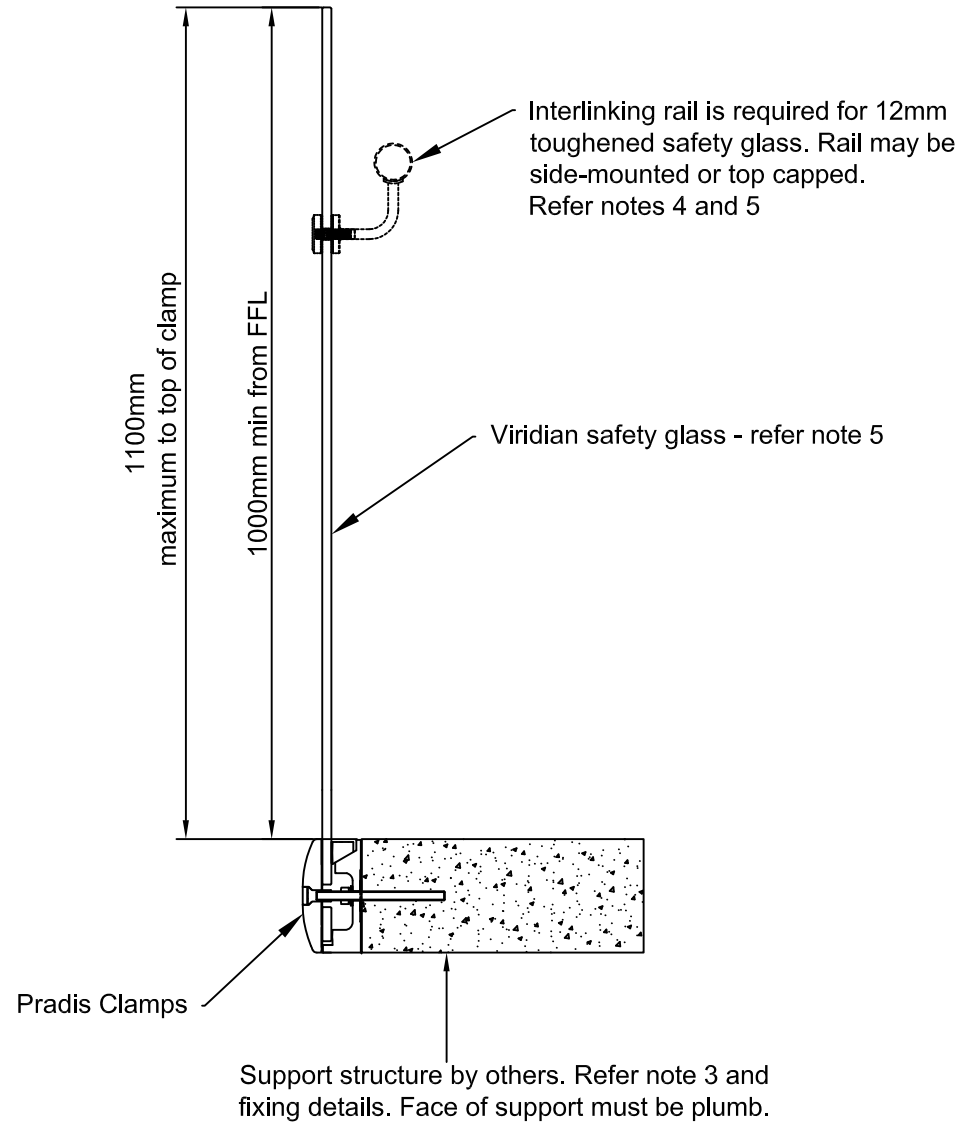
- a. 12mm toughened safety glass with interlinking rail
- b. 13.52mm toughened SentryGlas laminated safety glass (SentryGlas is a stiff interlayer that complies with 22.4.3 (c) of NZS 4223.3:2016.

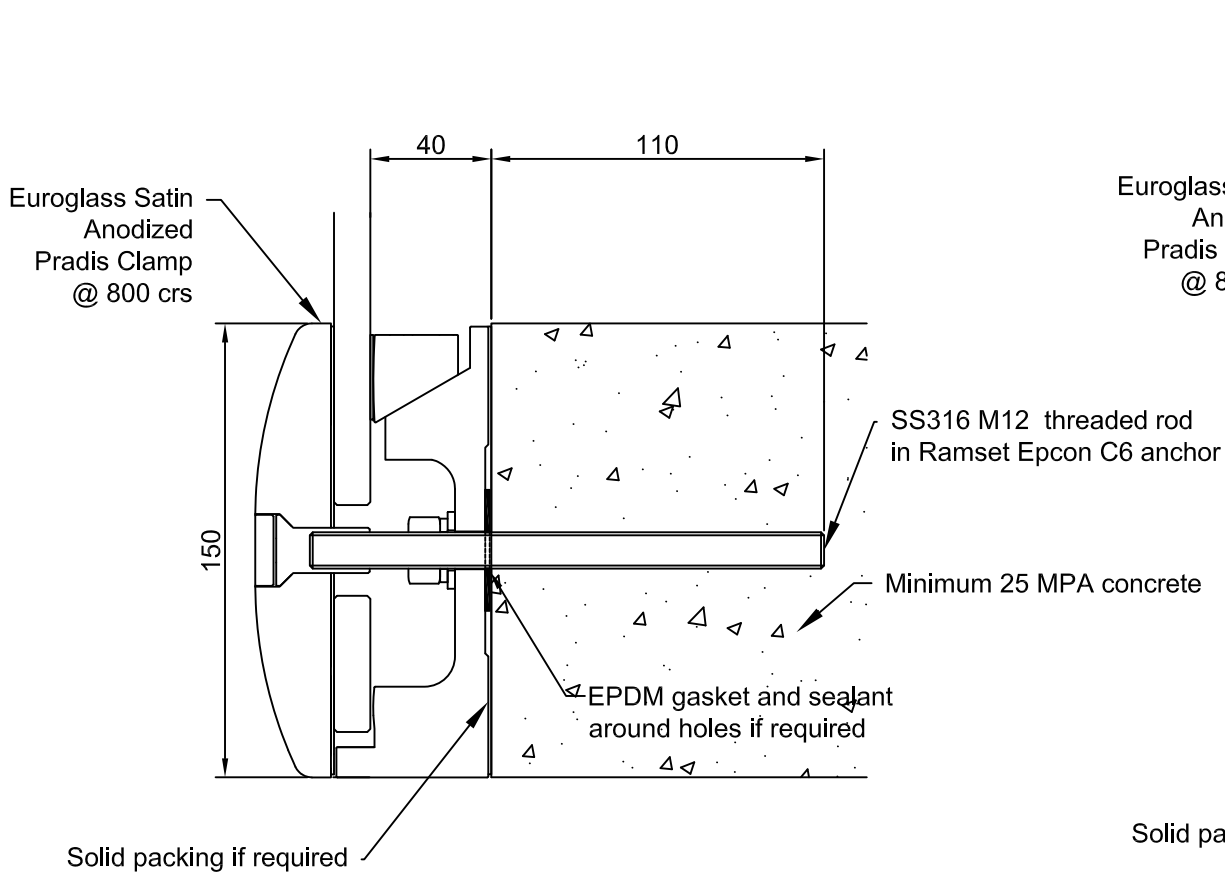
6. Minimum width of glass panel is 1000mm unless connected by interlinking rail or corner brackets to adjacent panes or the building.

7. Maximum distance from side edge of glass to fixings - 200mm for both occupancies.

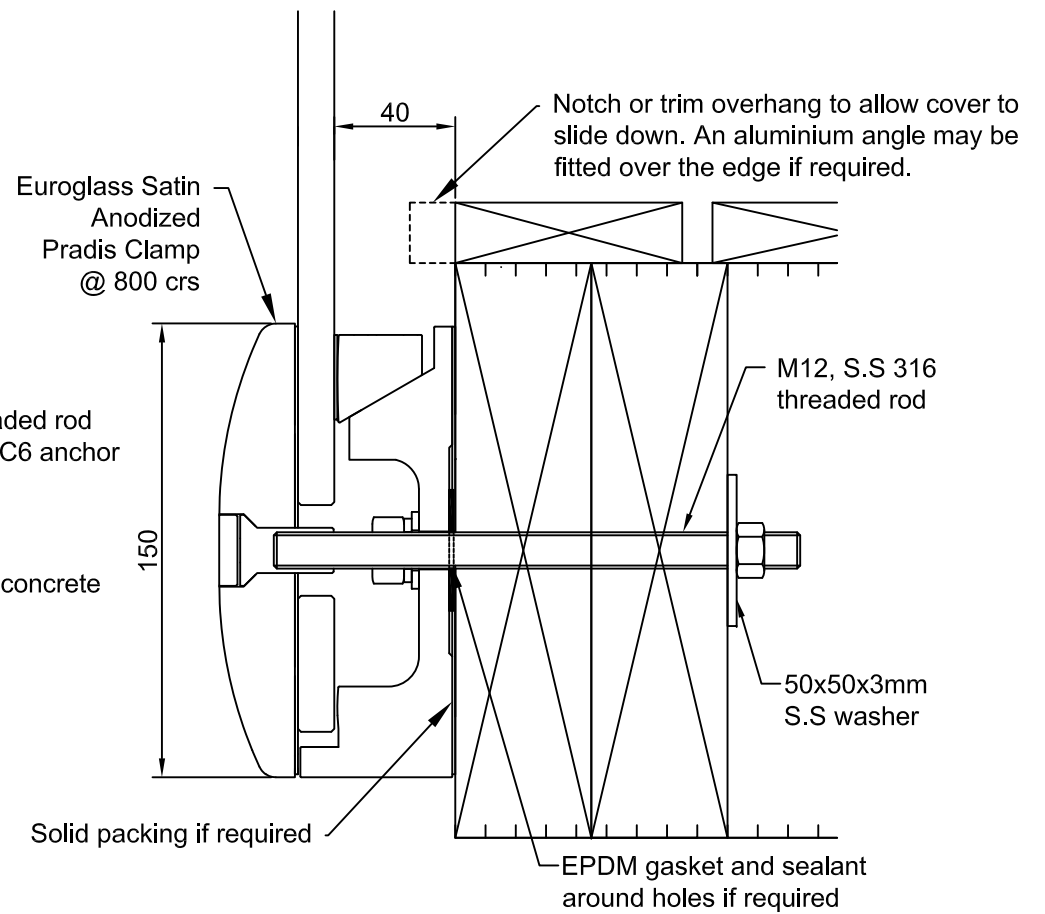
IMPORTANT

These drawings are provided as a general guide and may be amended without prior notice. Please contact Euroglass for specific design.

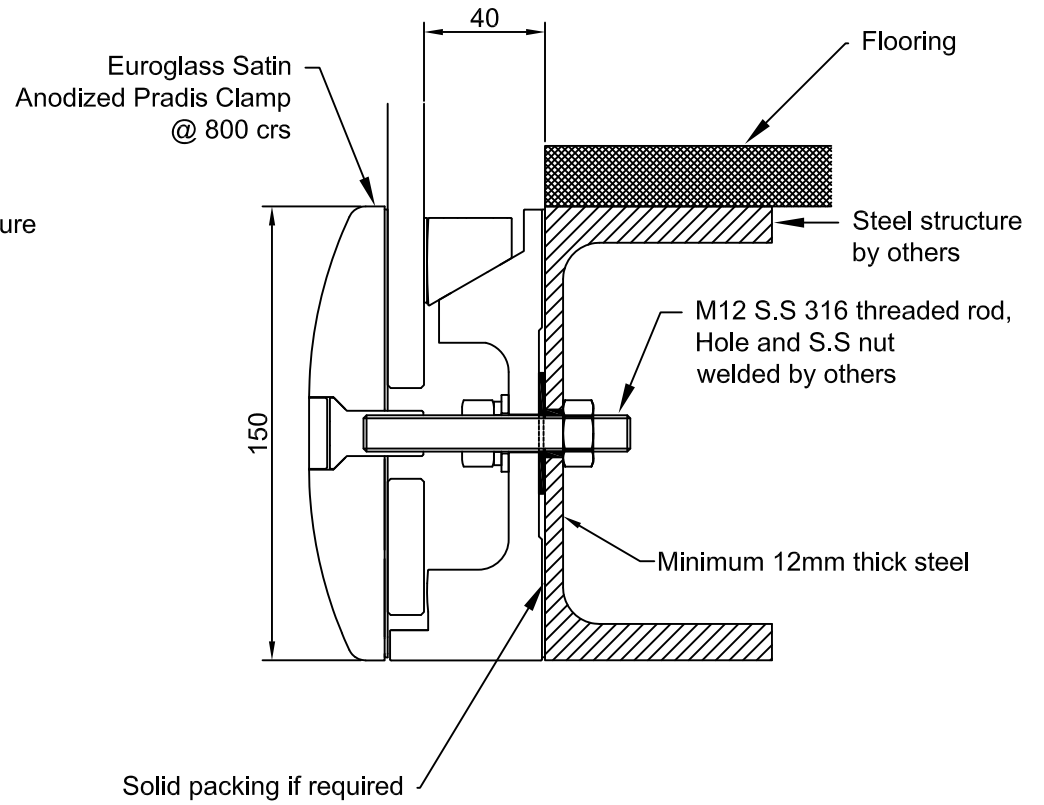
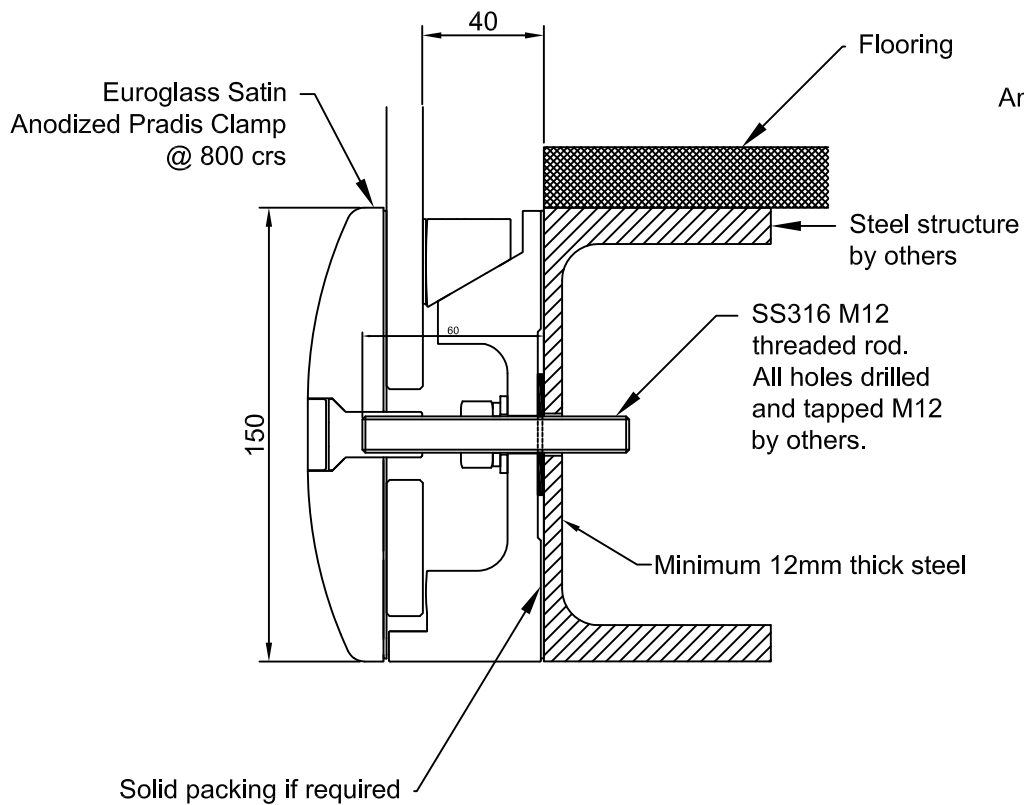




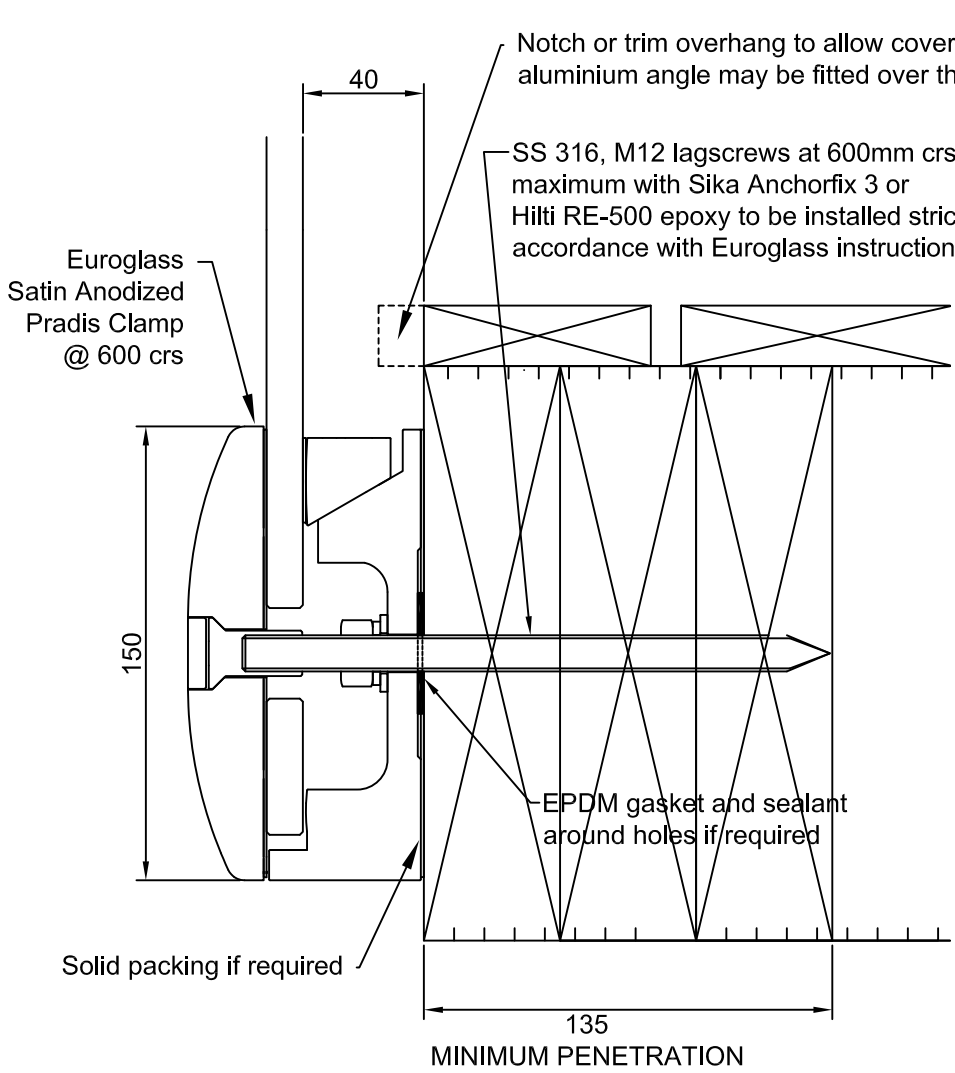
CONCRETE



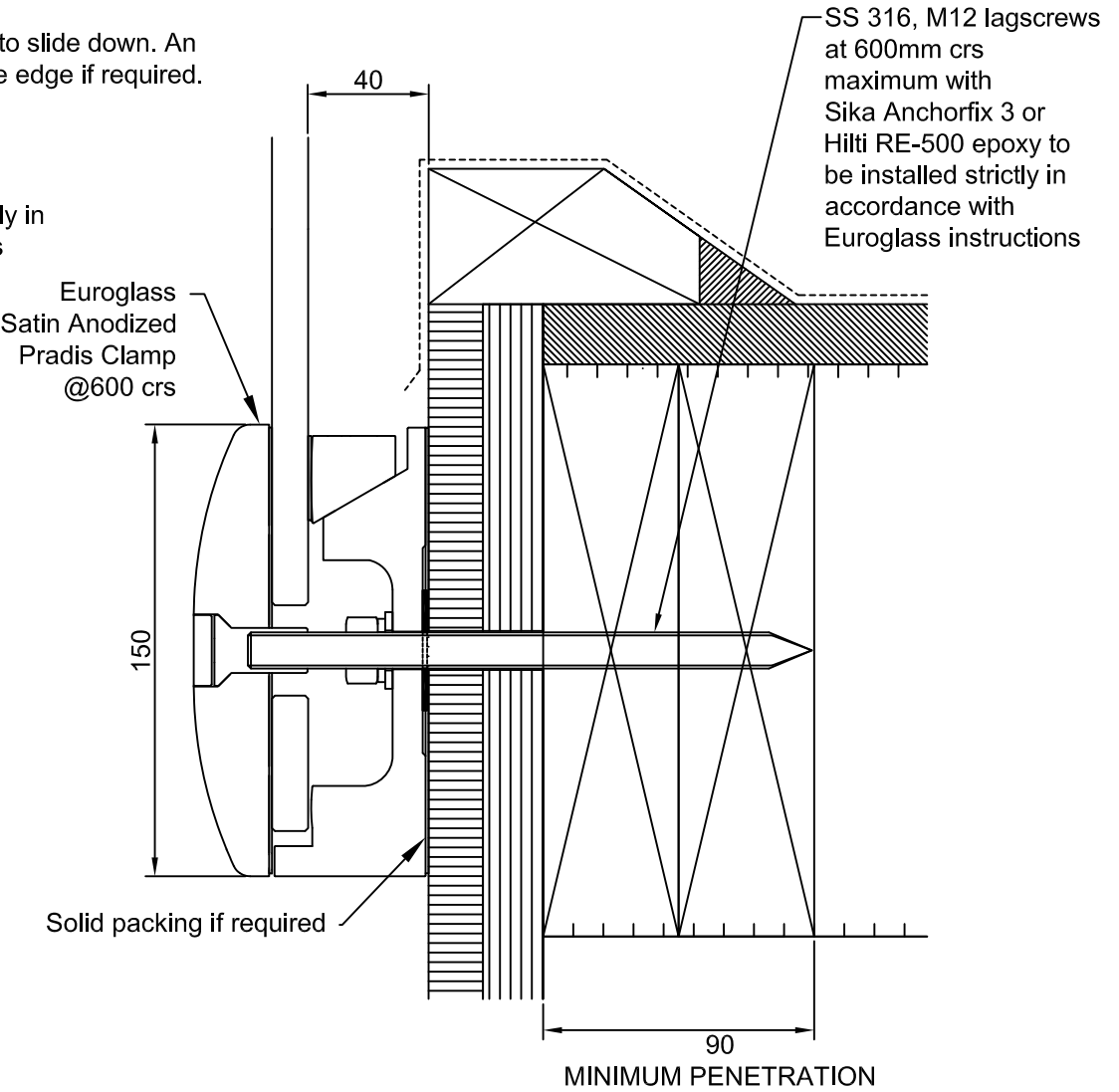
BOLT THROUGH SG8 TIMBER



FOR INTERNAL INSTALLATION ONLY



WET EXPOSED SG8 TIMBER



DRY CONCEALED SG8 TIMBER