

NOTES:

1. This proprietary balustrade system complies with New Zealand Building Code Clauses B1 Structure, B2 Durability, F2 Hazardous Building Materials and F4 Safety From Falling Third Edition, subject to:

-all products meeting their required performance specification

-site installation carried out in accordance with the intent of this drawing

2. Based on design loads from AS/NZS 1170.1 and very high wind zone or less (1.76 kPa), maximum span between posts and Viridian glass options are:

Occupancies A (other), B, E & C3 of Table 3.3 AS/NZS 1170.1:

Span between posts -1250mm maximum

Viridian safety glass options according to 22.4.3. of NZS 4223.3:2016 are:

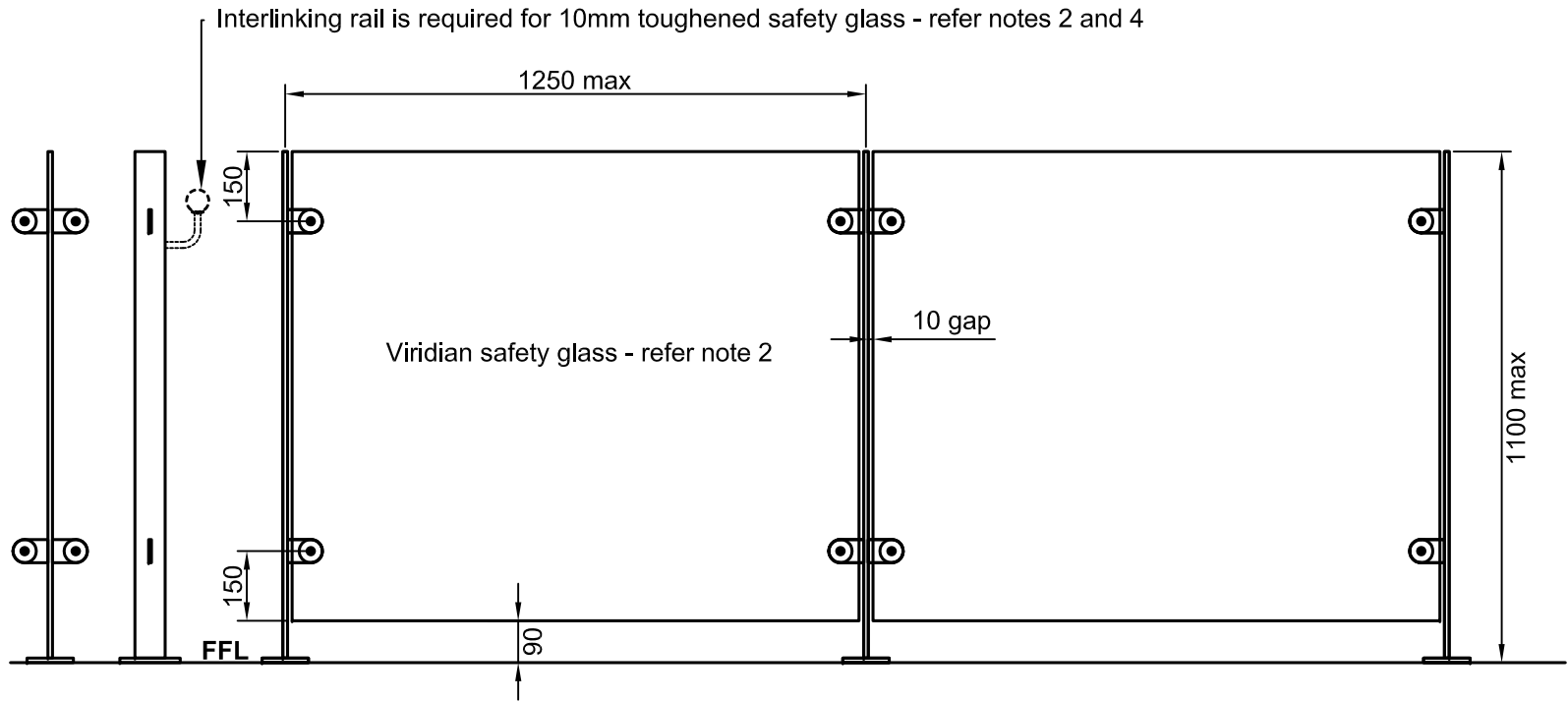
- a. 10mm toughened glass with interlinking rail
- b. 11.2mm toughened laminated glass
- c. 11.52mm toughened SentryGlas laminated glass

Interlinking rail must be connected to every post or the building.

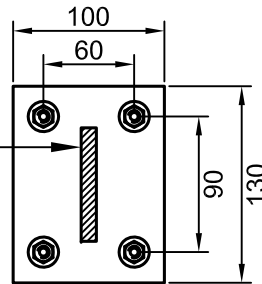
3. Design of supporting structure by others.

4. A handrail of 32-50mm diameter is required for stairs and ramps exceeding 1:20 slope. Refer NZBC D1/AS1.

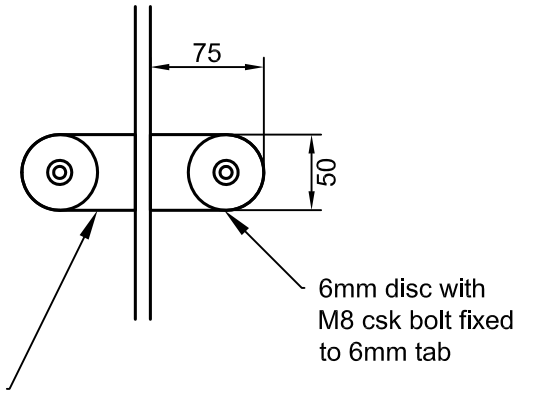
5. Use grade 316 stainless steel fixings and washers

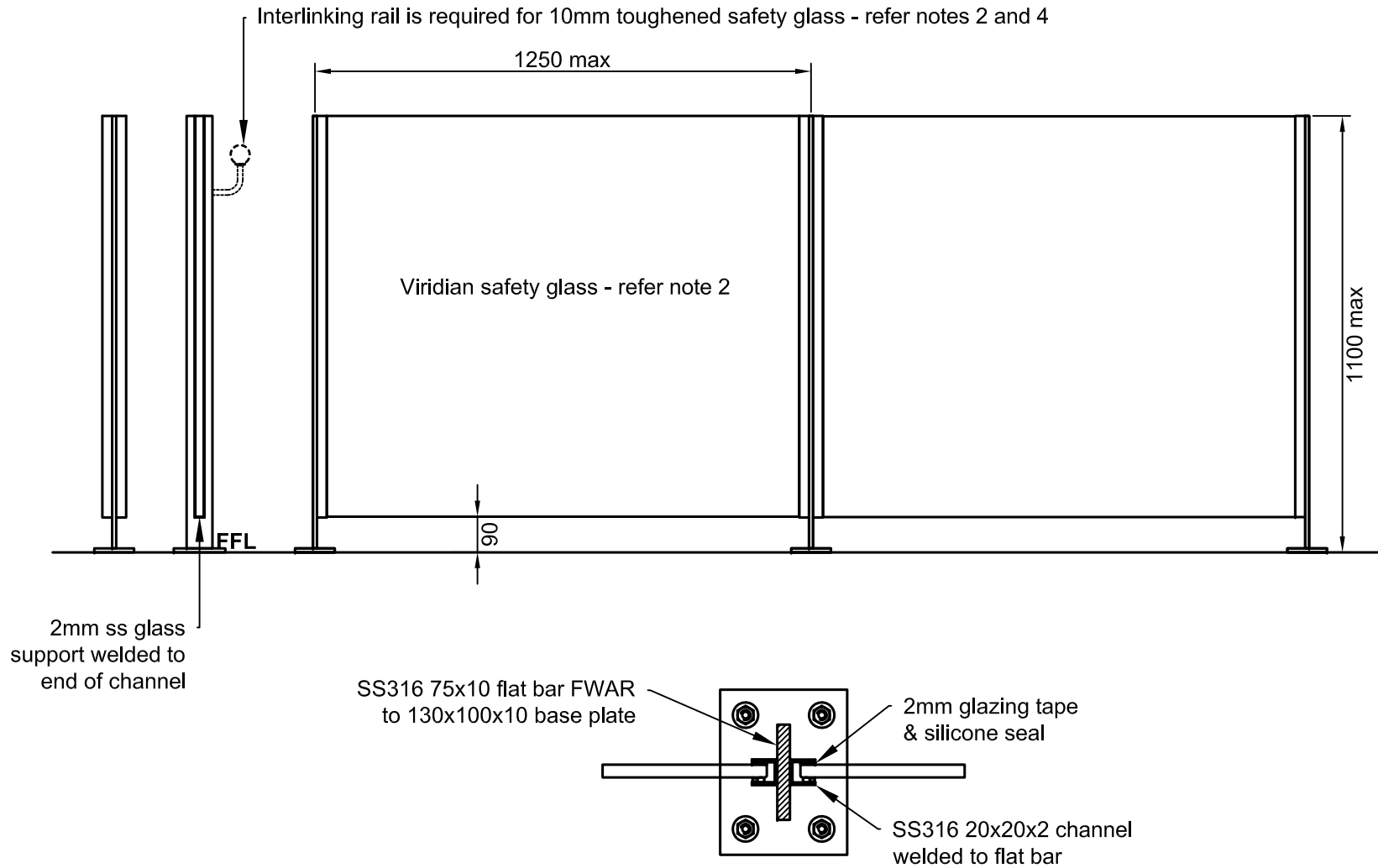


316 75x10 flat bar FWAR to 130x100x10 base plate

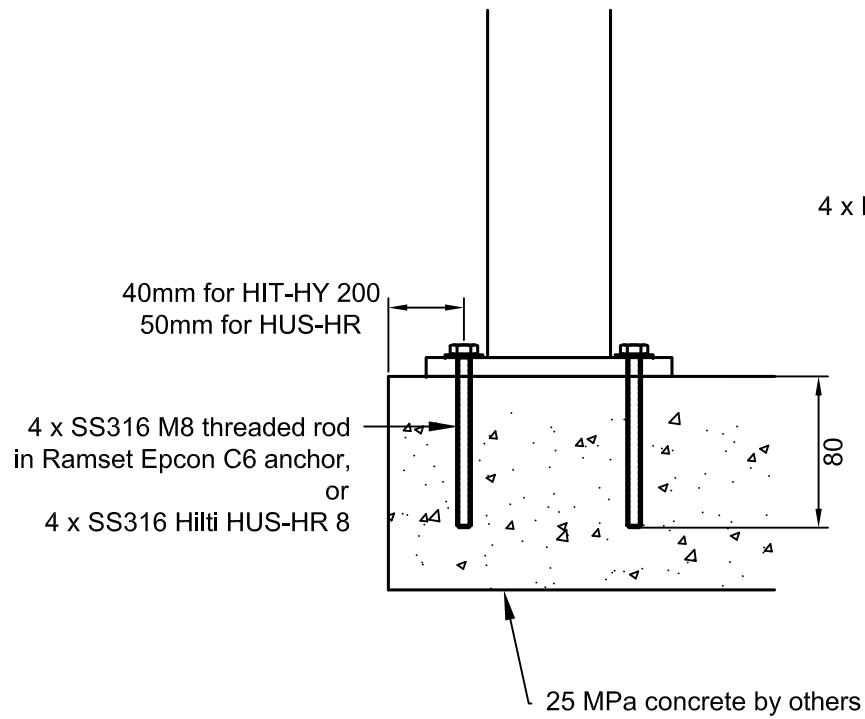


Polished stainless steel finish is recommended





Polished stainless steel finish is recommended



4 x M12 SS316 coachscrew

