

NOTES:

1. This proprietary balustrade system complies with New Zealand Building Code Clauses B1 Structure, F2 Hazardous Building Materials and F4 Safety From Falling Third Edition, subject to:

- all products meeting the required performance specification
- site installation carried out in accordance with intent of this drawing

2. Based on a maximum height of 1000mm, spacings of FMP250 mini posts for wind zones and occupancy types are provided in the table below.

3. Concrete design is the responsibility of others. Rockite or Kwikset grout to be installed to manufacturer's instructions.

4. A handrail of 32-50mm diameter is required for stairs and ramps exceeding 1:20 slope. Refer NZBC D1/AS1.

5. Viridian safety glass options according to 22.4.3 of NZS 4223.3:2016 are:

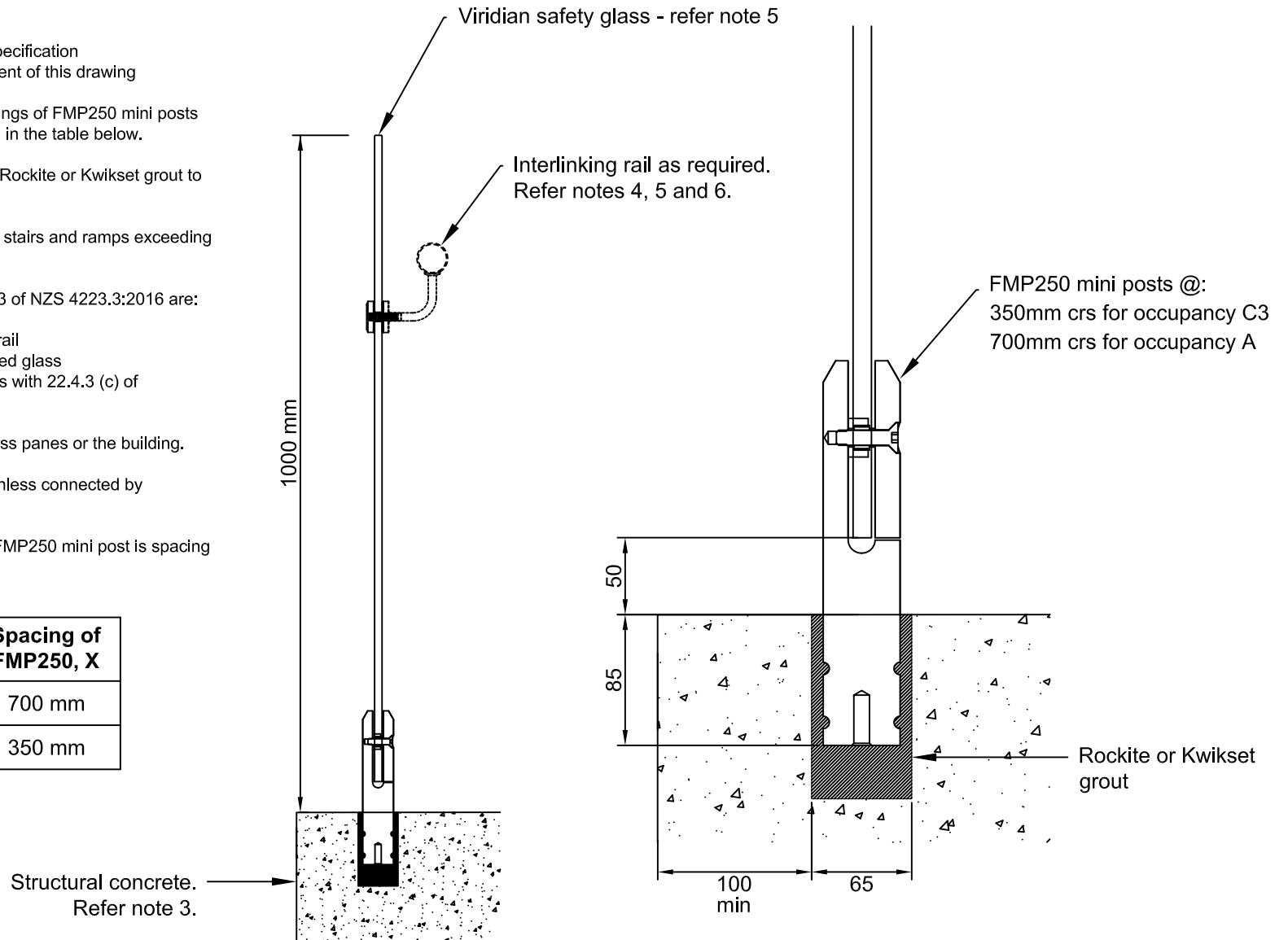
- a. 12mm toughened glass with interlinking rail
- b. 13.52mm toughened SentryGlas laminated glass (SentryGlas is a stiff interlayer that complies with 22.4.3 (c) of NZS 4223.3:2016).

Interlinking rail must be connected to adjacent glass panes or the building.

6. Minimum width of glass panel to be 1000mm unless connected by interlinking rail or corner clamps.

7. Maximum distance from side edge of glass to FMP250 mini post is spacing X/2 or 200mm maximum.

Occupancy	Wind zone / kPa	Spacing of FMP250, X
A	Internal	700 mm
C3	VH 1.76 kPa	350 mm



A division of Viridian Glass Ltd Partnership

RESIDENTIAL BALUSTRADE SYSTEM WITH EUROBRACE FMP MINI POSTS

date 1-6-16

drawing no

scale 1:10, 1:4

EB-2c

NOTES:

1. This proprietary balustrade system complies with New Zealand Building Code Clauses B1 Structure, F2 Hazardous Building Materials and F4 Safety From Falling Third Edition, subject to:

-all products meeting the required performance specification
 -site installation carried out in accordance with intent of this drawing

2. Based on a maximum height of 1000mm, spacings of FMP250 mini posts for wind zones and occupancy types are provided in the table below.

3. Timber design is the responsibility of others.

4. A handrail of 32-50mm diameter is required for stairs and ramps exceeding 1:20 slope. Refer NZBC D1/AS1.

5. Viridian safety glass options according to 22.4.3 of NZS 4223.3:2016 are:

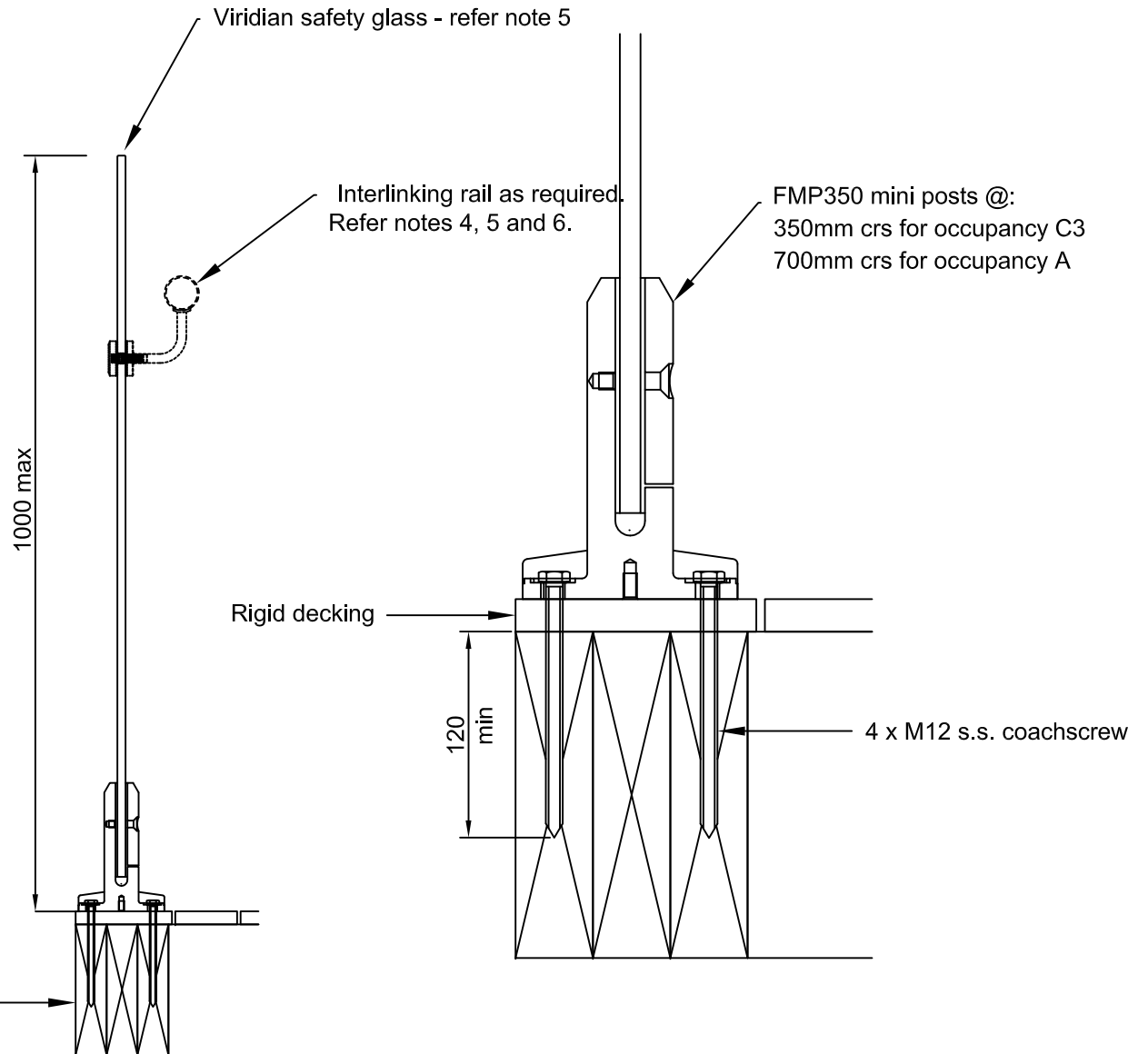
- a. 12mm toughened safety glass with interlinking rail
- b. 13.52mm toughened SentryGlas laminated safety glass (SentryGlas is a stiff interlayer that complies with 22.4.3 (c) of NZS 4223.3:2016).

Interlinking rail must be connected to adjacent glass panes or the building.

6. Minimum width of glass panel to be 1000mm unless connected by interlinking rail or corner clamps.

7. Maximum distance from side edge of glass to FMP250 mini post is spacing X/2 or 200mm maximum.

Occupancy	Wind zone / kPa	Spacing of FMP350, X
A	Internal	700 mm
C3	VH 1.76 kPa	350 mm



A division of Viridian Glass Ltd Partnership

RESIDENTIAL BALUSTRADE SYSTEM WITH EUROBRACE FMP MINI POSTS

date 1-6-16

drawing no

scale 1:10, 1:4

EB-3c