

NOTES:

1. This balustrade system complies with New Zealand Building Code Clauses B1 Structure, F2 Hazardous Building Materials and F4 Safety From Falling Third Edition, subject to:

- all products meeting the required performance specification
- site installation carried out in accordance with intent of this drawing
- minimum balustrade height of 1100mm from finished floor level

2. Based on commercial occupancies B, E and C3 of Table 3.3 AS/NZS 1170.1 and extra high wind zone or less, maximum height and clamp spacing are:

- Maximum height 1200mm
- Pradis Clamps @ 800mm crs

3. The design of the concrete, steel or timber support for the balustrade is the responsibility of others.

4. A handrail of 32-50mm diameter is required for stairs and ramps exceeding 1:20 slope. Refer NZBC D1/AS1.

5. Viridian safety glass options according to NZS 4223.3:2016 are:

- a. 15mm toughened glass with interlinking rail
- b. 17.52mm toughened SentryGlas laminated glass (SentryGlas is a stiff interlayer that complies with 22.4.3 (c) of NZS 4223.3:2016.

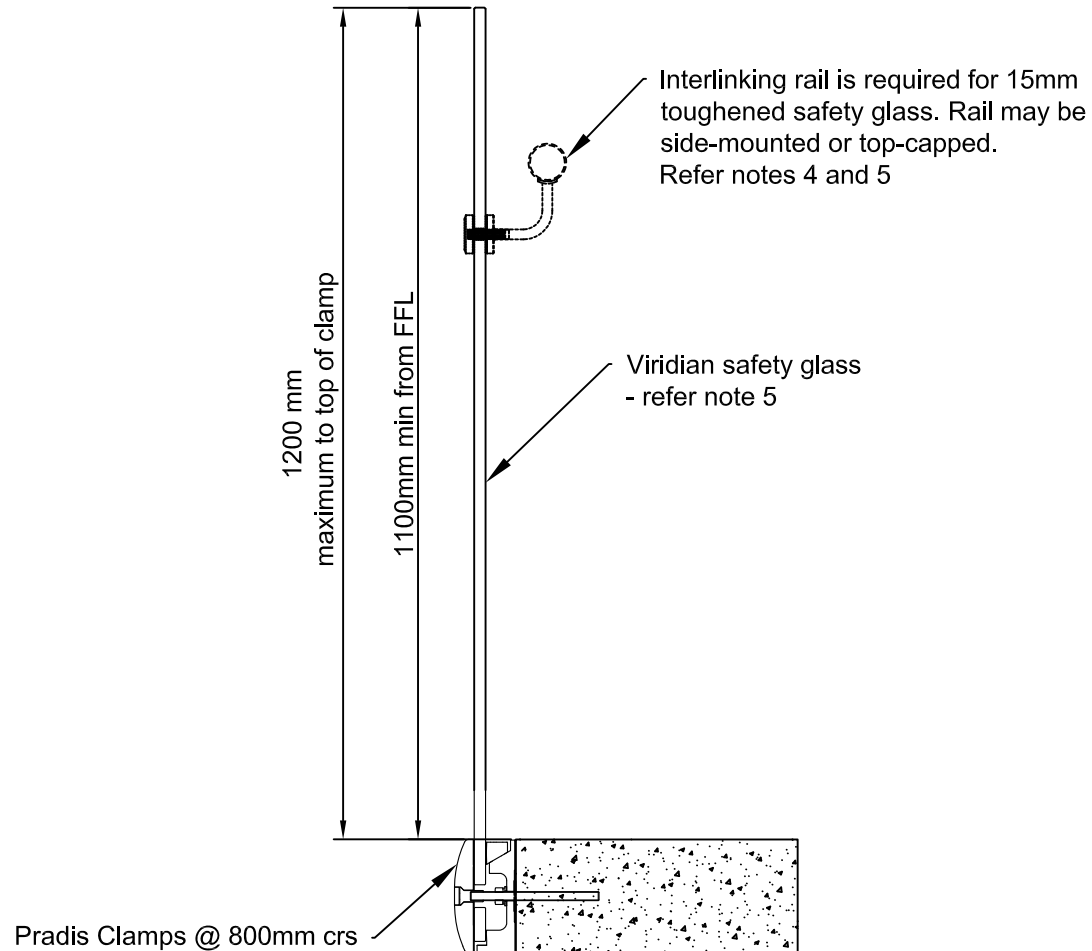
Interlinking rail must be connected to adjacent glass panes or the building.

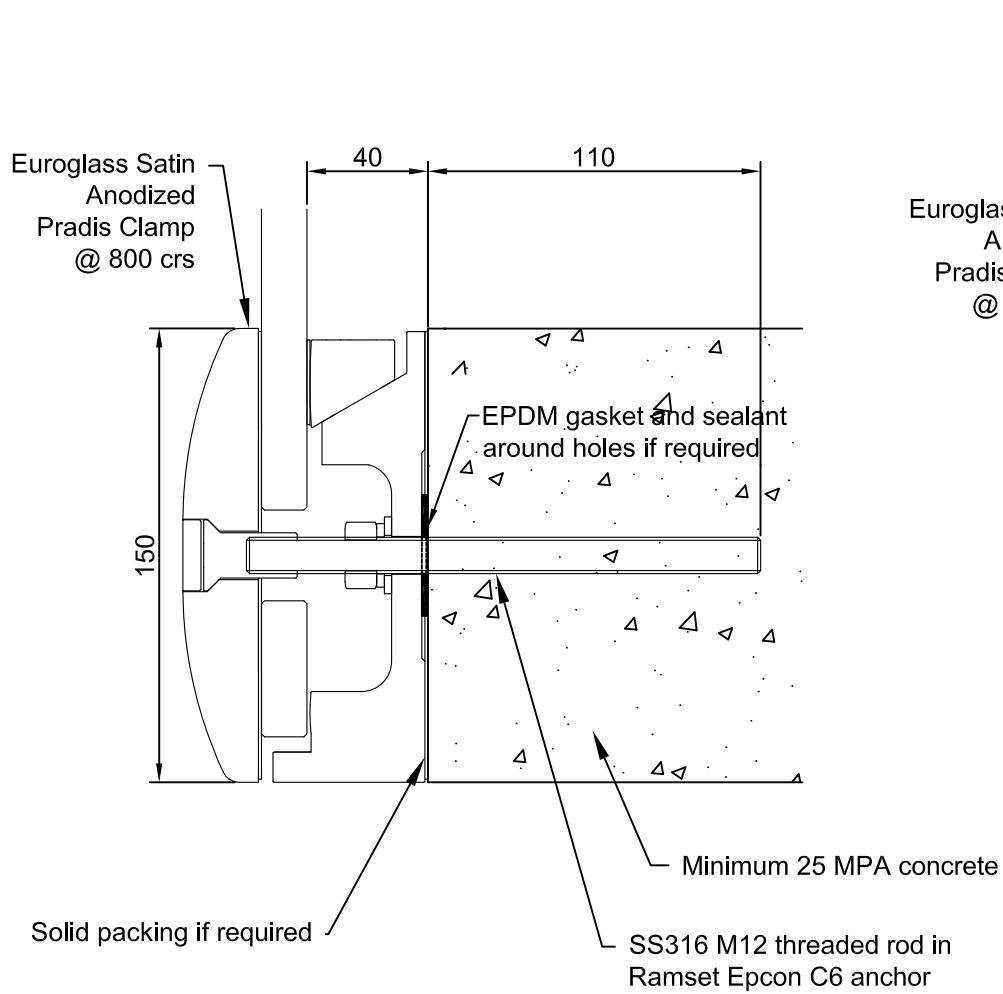
6. Minimum width of glass panel is 1000mm unless connected by interlinking rail or corner bracket to adjacent panes or the building.

7. Maximum distance from side edge of glass to Pradis clamp - 200mm.

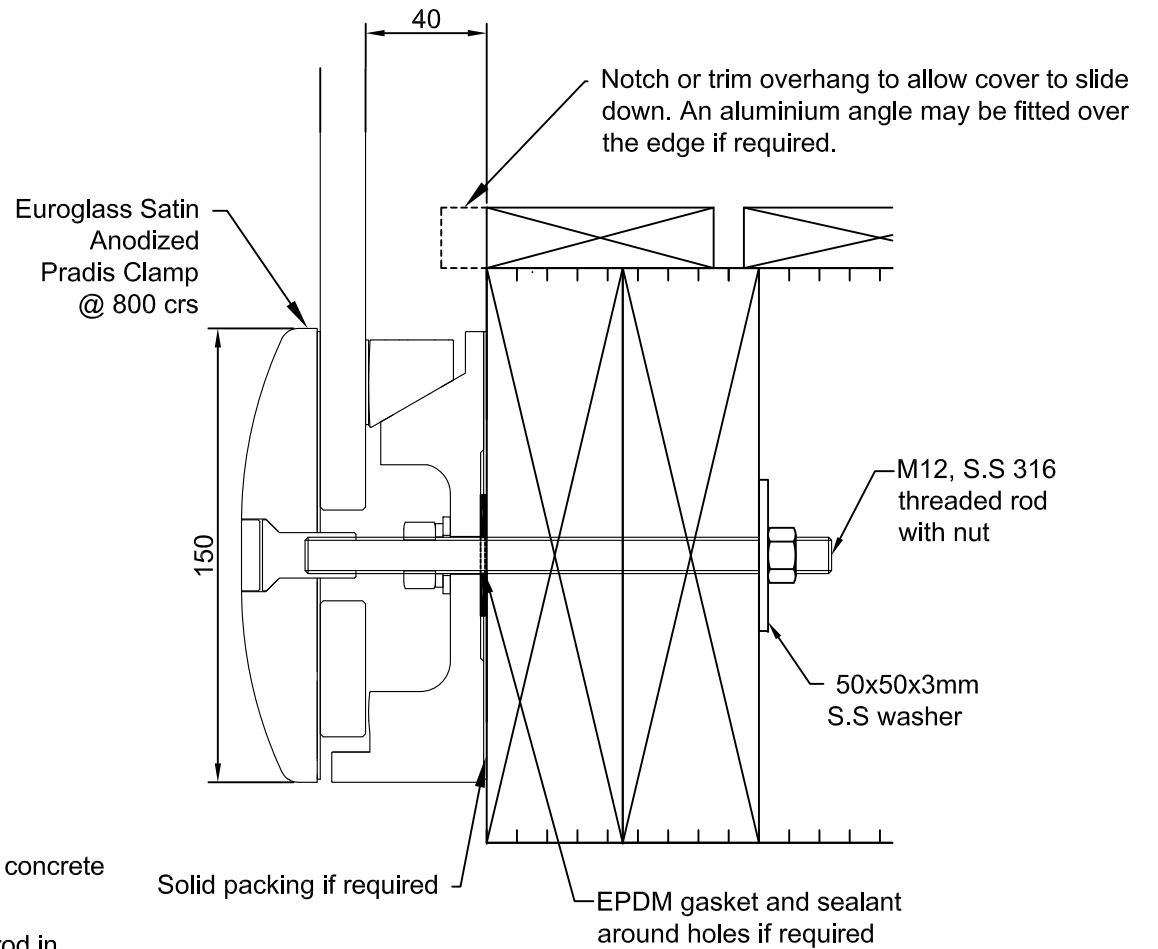
IMPORTANT

These drawings are provided as a general guide and may be amended without prior notice. Please contact Euroglass for specific design.

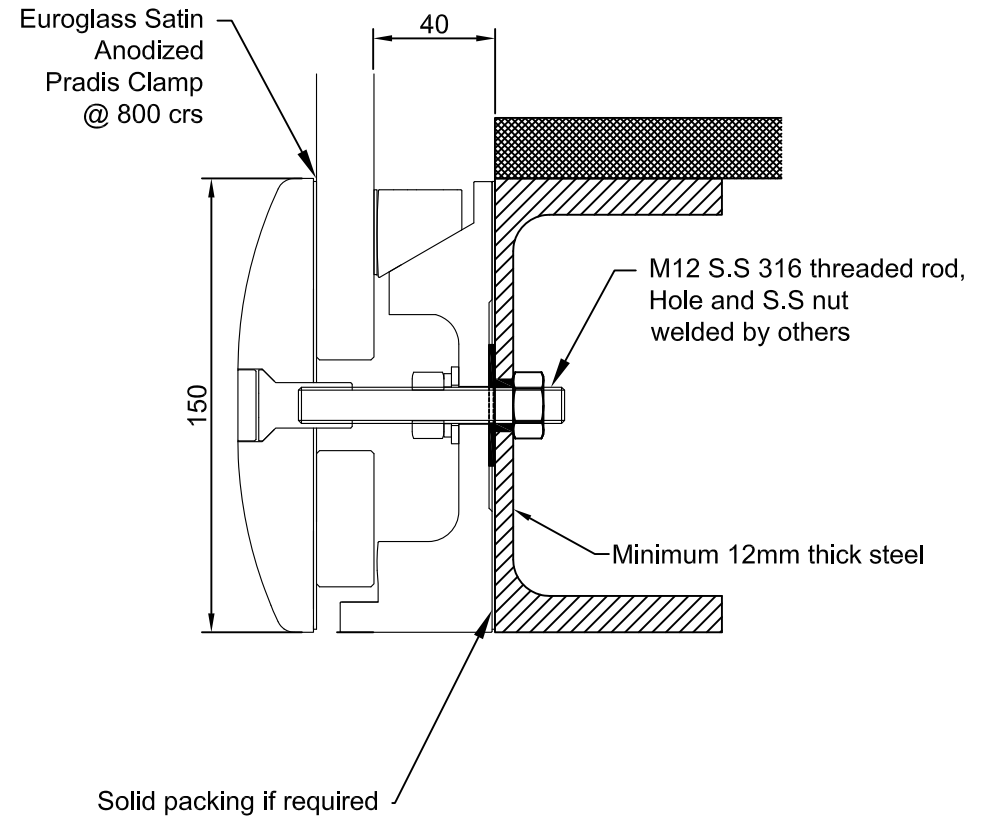
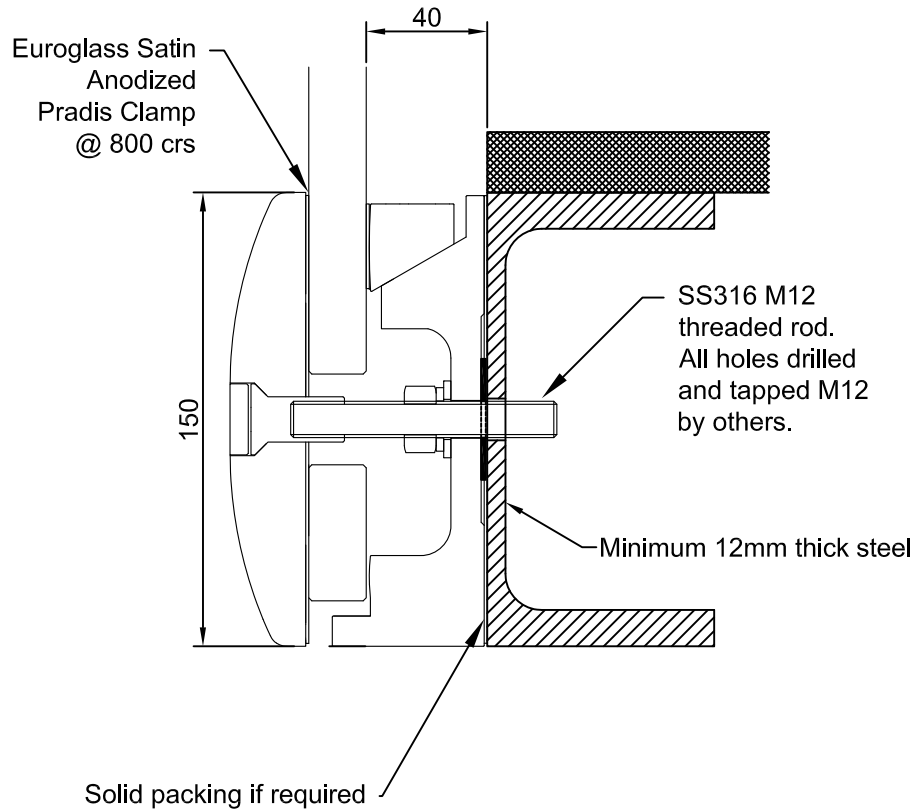




CONCRETE



BOLT TROUGH SG8 TIMBER



FOR INTERNAL INSTALLATION ONLY