

NOTES:

1. This balustrade system complies with New Zealand Building Code Clauses B1 Structure, F2 Hazardous Building Materials and F4 Safety From Falling Third Edition, subject to:

- all products meeting the required performance specification
- site installation carried out in accordance with intent of this drawing
- minimum balustrade height of 1000mm from finished floor level

2. Based on commercial occupancies C1/C2 & D of Table 3.3 AS/NZS 1170.1 and extra high wind zone (2.13 kPa) or less, maximum height and clamp spacing are:

- Maximum height 1100mm
- Pradis clamps @ 400mm crs for steel, concrete and bolt through with timber

3. The design of the concrete, steel or timber support for the balustrade is the responsibility of others.

4. A handrail of 32-50mm diameter is required for stairs and ramps exceeding 1:20 slope. Refer NZBC D1/AS1.

5. Viridian safety glass options are:

- a. 15mm toughened safety glass
- b. 17.52mm toughened SentryGlas laminated glass.

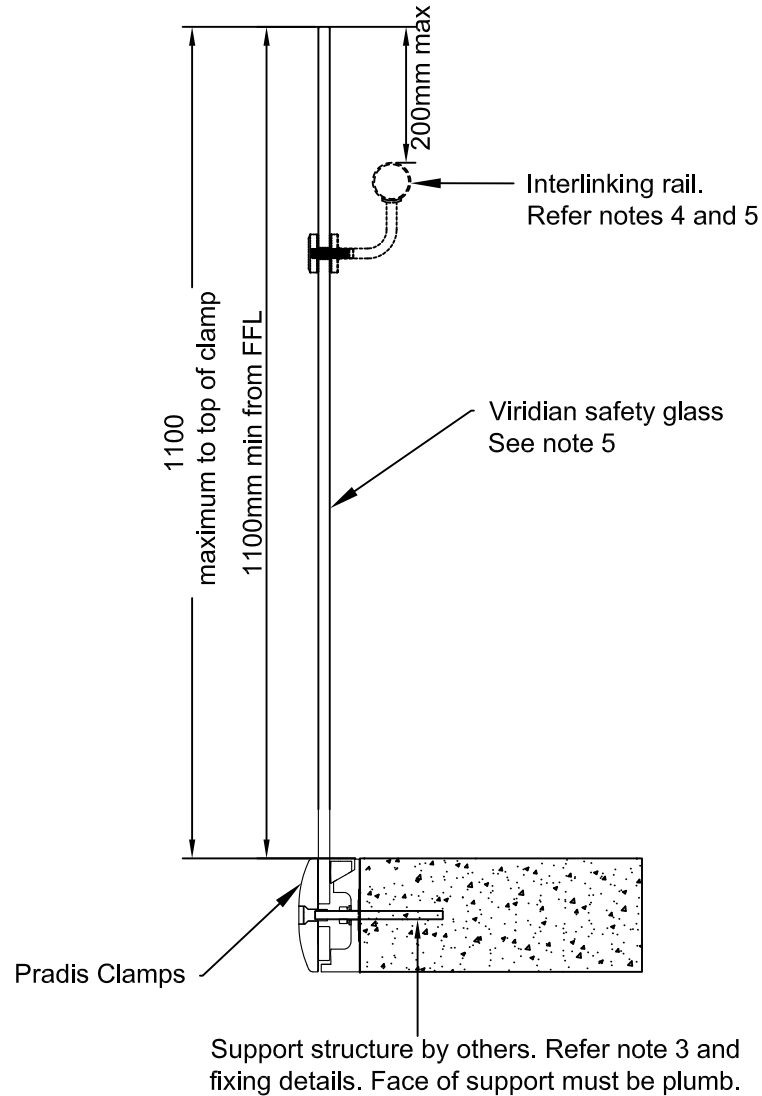
6. Interlinking rail must be fitted between 900mm to 1000mm above FFL

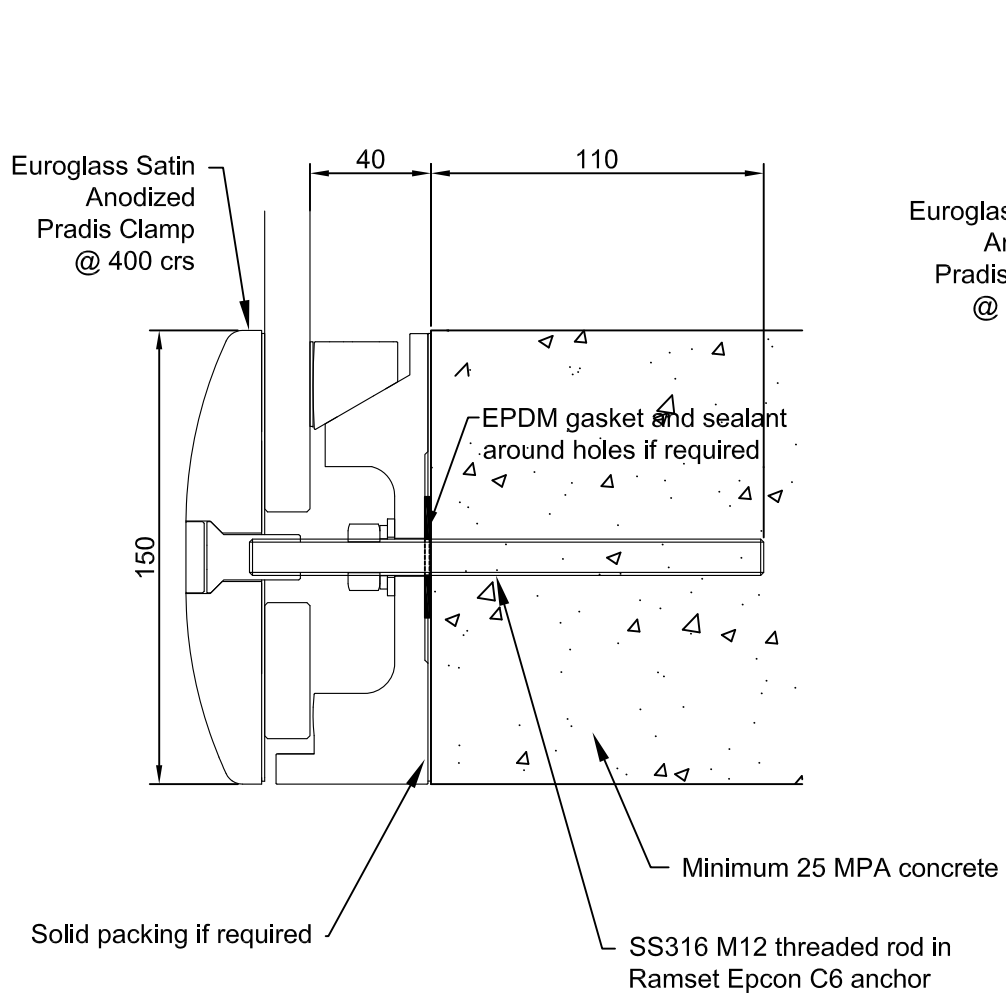
7. Maximum distance from side edge of glass to fixings - 200mm for both occupancies.

8. Design line loads are applied to the rail in accordance with 2.2.7 of B1/VM1.

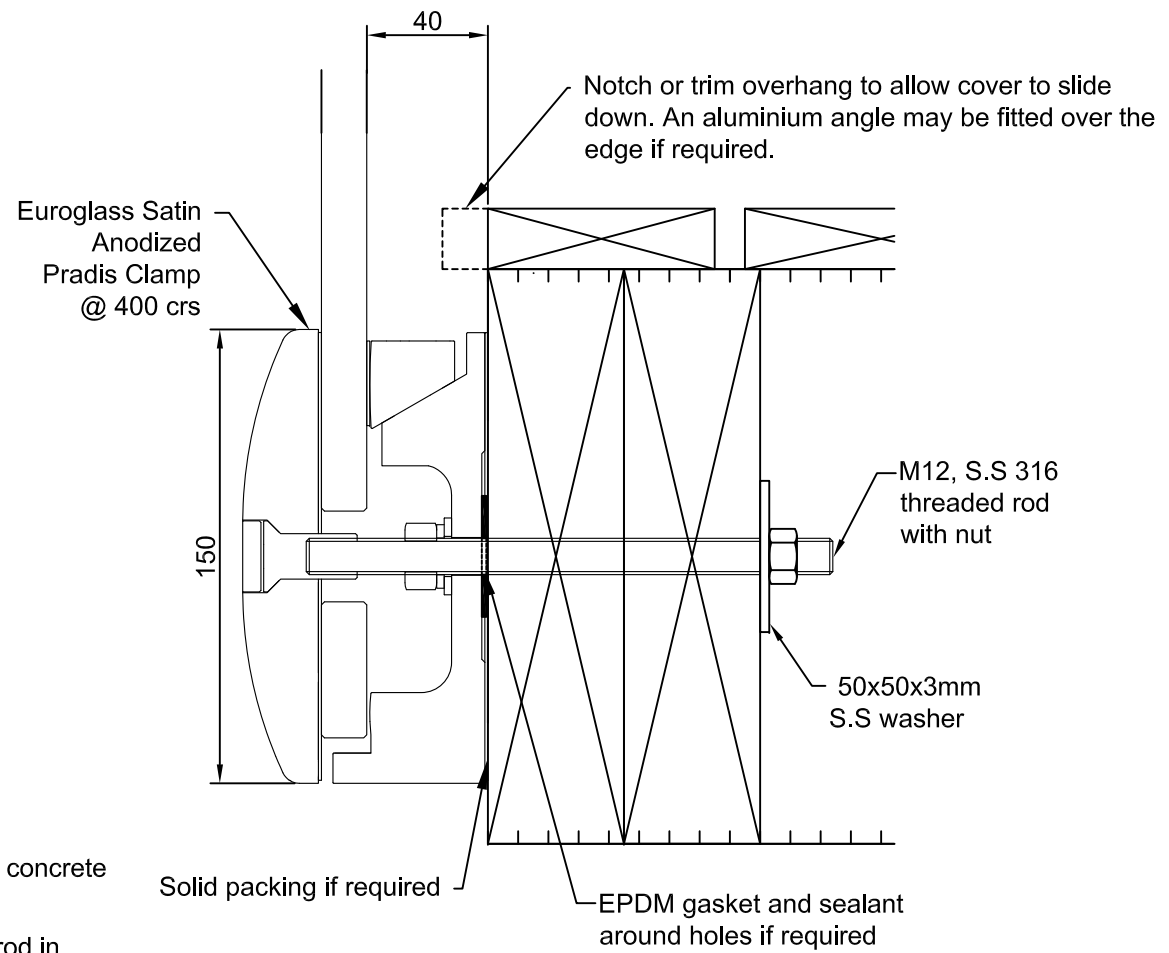
IMPORTANT

These drawings are provided as a general guide and may be amended without prior notice. Please contact Euroglass for specific design.

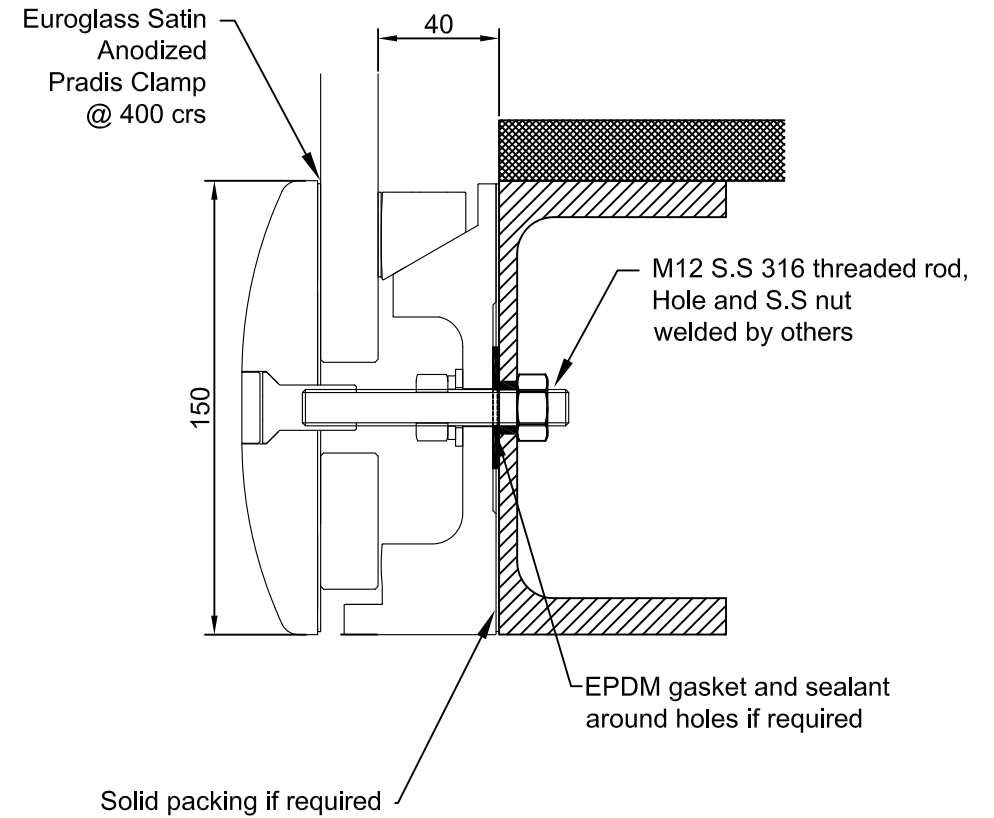
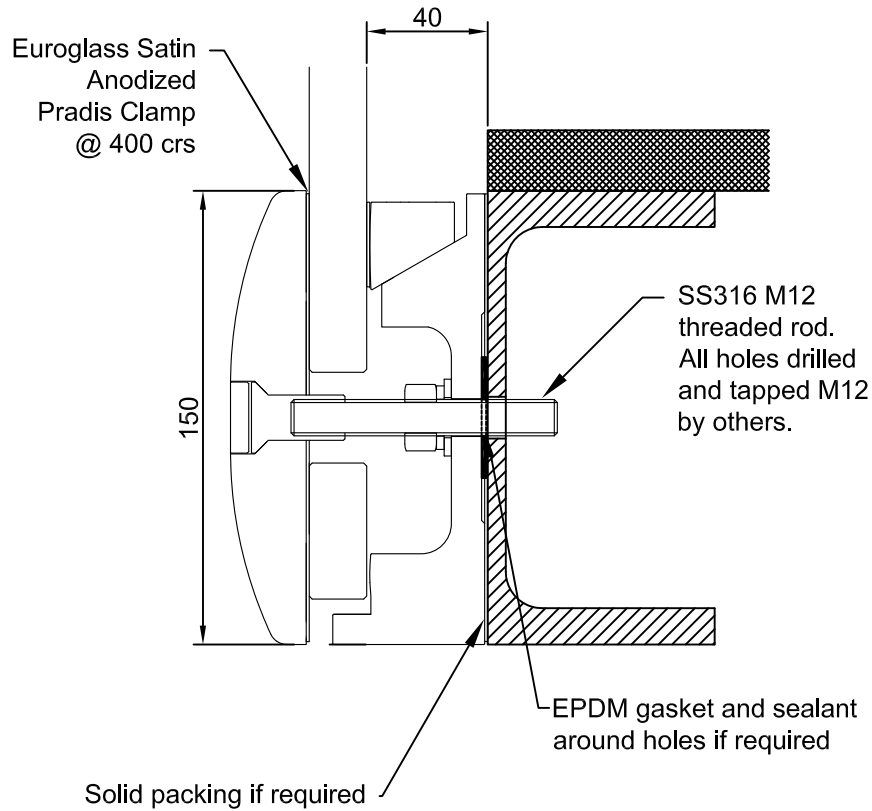




CONCRETE



BOLT TROUGH SG8 TIMBER



FOR INTERNAL INSTALLATION ONLY