

NOTES:

1. This proprietary balustrade system complies with New Zealand Building Code Clause B1 Structure and B1/VM1, F2 Hazardous Building Materials and F4 Safety From Falling Third Edition, subject to:

- all products meeting the required performance specification
- site installation carried out in accordance with intent of this drawing
- minimum balustrade height of 1100mm above finished floor level
- occupancy types B, E & C3
- maximum height H of 1100mm of glass above Lugano clamp
- extra high wind zone (2.13 kPa) or less

2. Viridian 13.52mm toughened SentryGlas laminated glass. SentryGlas is a stiff interlayer that complies with 22.4.3 (c) of NZS 4223.3:2016. Refer drawing EFC-5 for 13.52mm glass and detail of back cover.

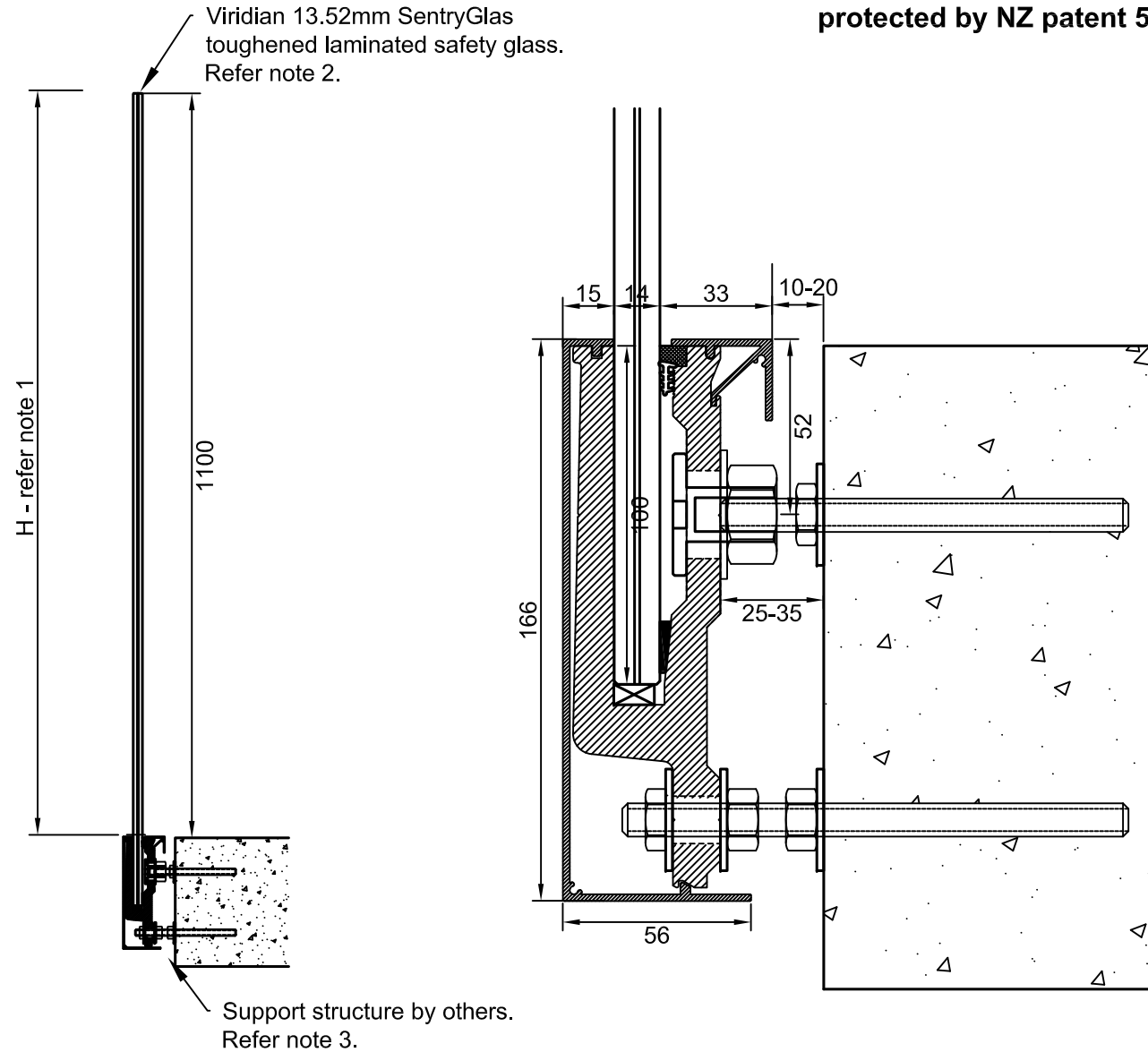
3. Design of support structure is the responsibility of others.

4. A handrail of 32-50mm diameter is required for stairs and ramps exceeding 1:20 slope. Refer NZBC D1/AS1.

5. Minimum width of glass panel to be 1000mm unless connected by interlinking rail or corner brackets to adjacent panels or to the building.

6. The distance between fixings and the end of the channel or a joint must not exceed 300mm.

This balustrade system is protected by NZ patent 595645



A division of Viridian Glass Ltd Partnership

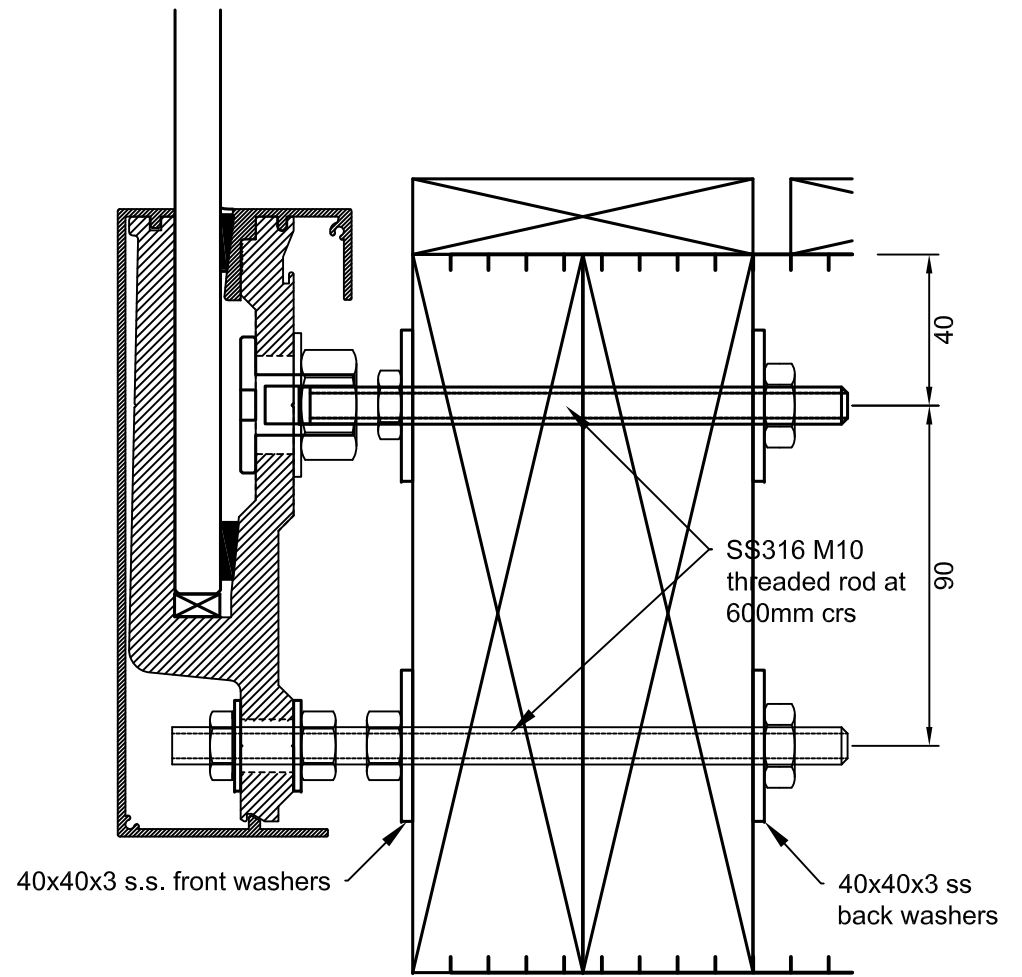
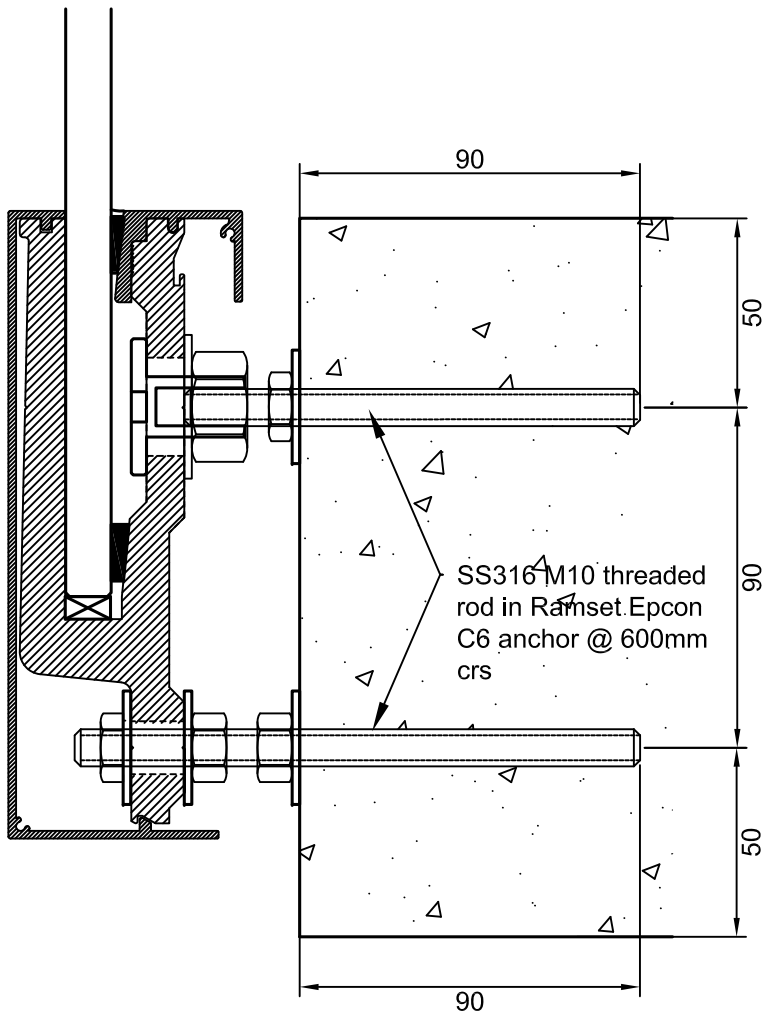
LUGANO COMMERCIAL FACE FIX BALUSTRADE WITH 13.52MM SENTRYGLAS LAMINATED GLASS

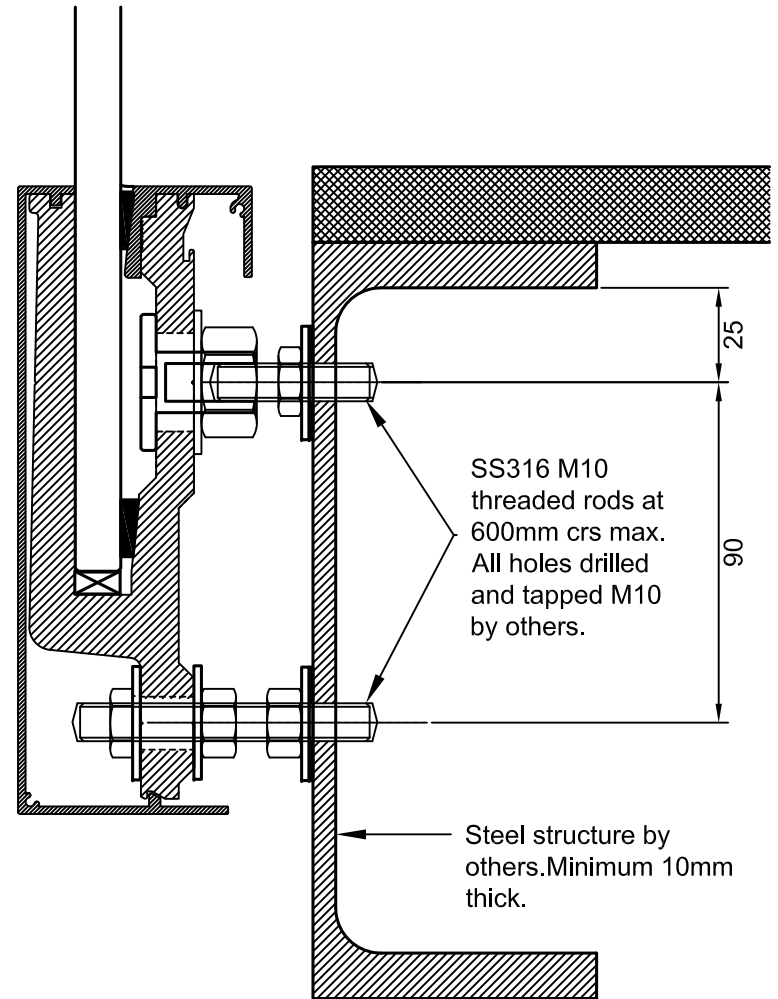
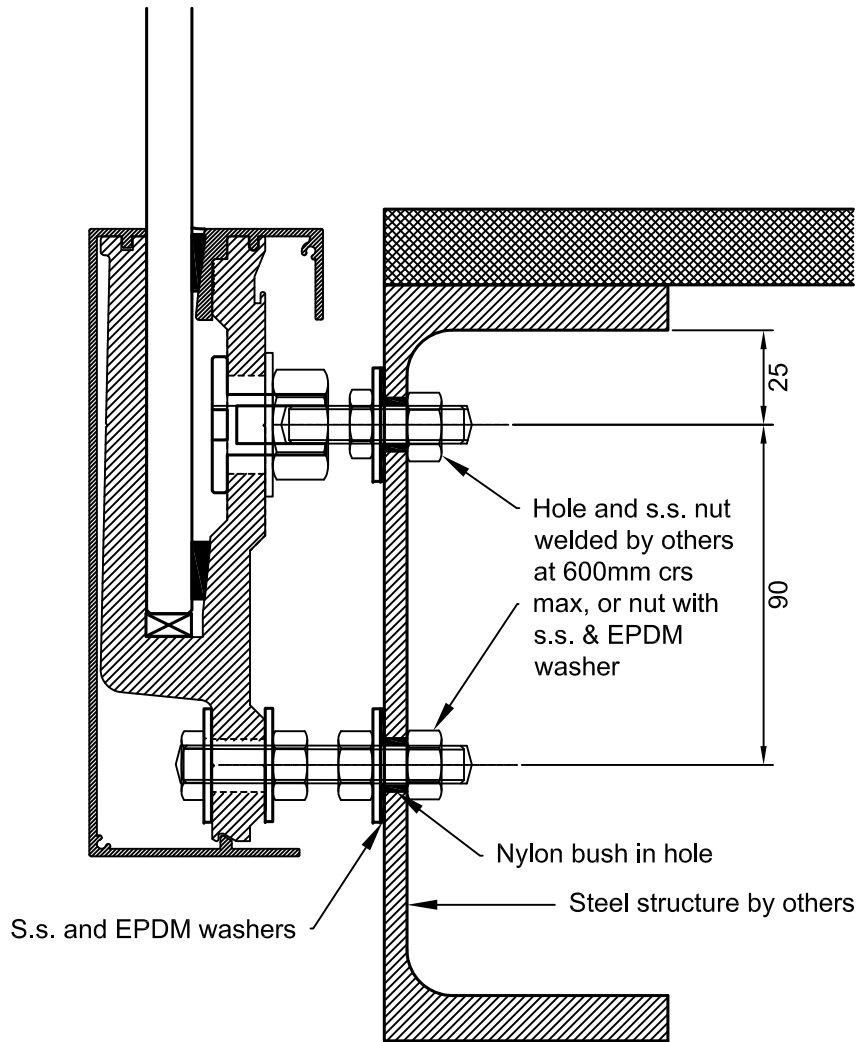
DATE 1-6-16

DRAWING NO

SCALE 1:2 & 1:10

LFFC-2c





FOR INTERNAL INSTALLATION ONLY

