

NOTES:

1. This proprietary balustrade system complies with New Zealand Building Code Clauses B1 Structure, F2 Hazardous Building Materials and F4 Safety From Falling Third Edition, subject to:

- all products meeting the required performance specification
- site installation carried out in accordance with intent of this drawing

2. The maximum wind pressure and height of glass above the top anchors for commercial occupancies B, E & C3 of Table 3.3 of AS/NZS 1170.1 are:

- Extra high wind zone 2.13 kPa
- 1200mm

3. The design of the concrete, timber or steel support is the responsibility of others. Timber joints must be strapped.

4. A handrail of 32-50mm diameter is required for stairs and ramps exceeding 1:20 slope. Refer NZBC D1/AS1.

5. Viridian safety glass options according to 22.4.3 of NZS 4223.3:2016 are:

- a. 15mm toughened glass with interlinking rail
- b. 17.52mm toughened SentryGlas laminated glass (SentryGlas is a stiff interlayer that complies with 22.4.3 (c) of NZS 4223.3:2016.

Interlinking rail must be connected to adjacent glass panes or to the building.

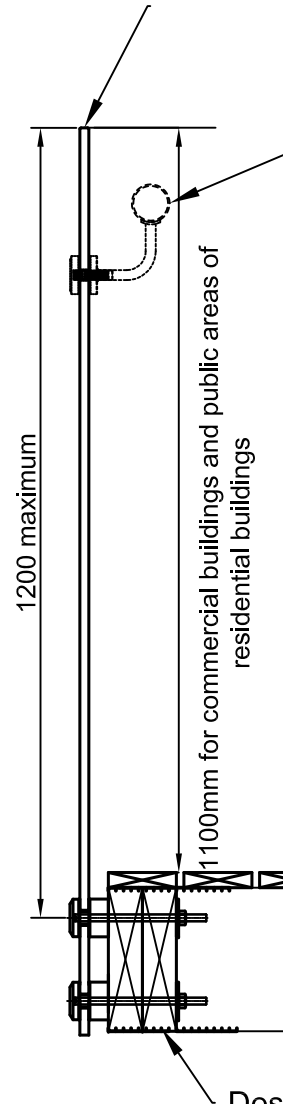
6. Minimum width of glass panel to be 1000mm unless connected by interlinking handrail or mechanical connector to adjacent panels

7. Maximum distance between side edge of glass to fixings - 200mm

8. This system is not suitable for balustrades in areas susceptible to overcrowding such as theatres, cinemas, assembly halls, stadiums etc.

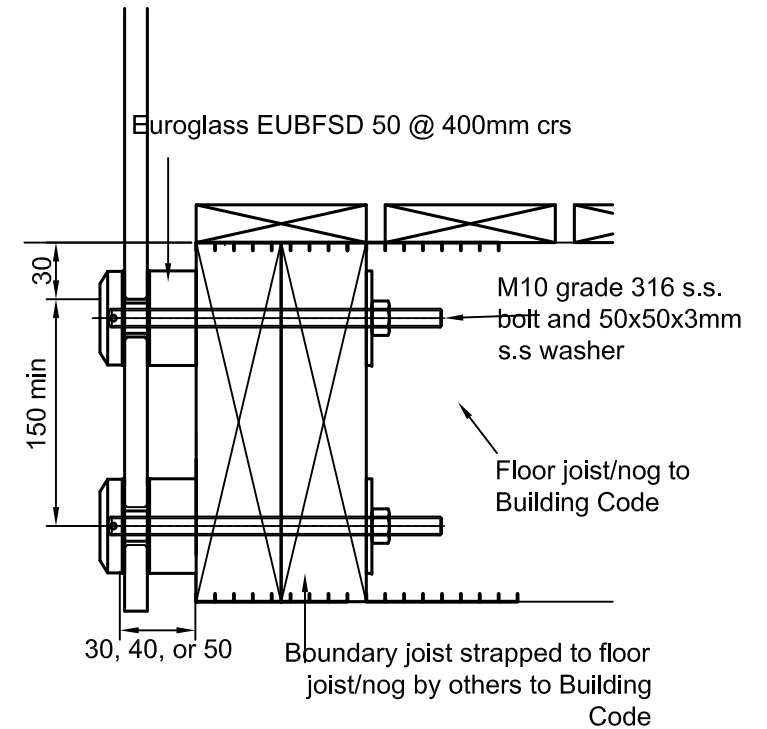
Viridian safety glass - refer note 5

Interlinking rail as required. Refer notes 4, 5 and 6



Design structure. Refer note 3.

This drawing is only provided as a general guide. CSR Viridian disclaim any responsibility for loss or damage suffered from the use of this drawing.



A division of Viridian Glass Ltd Partnership

EUROANCHOR COMMERCIAL BALUSTRADE SYSTEM WITH 15MM GLASS

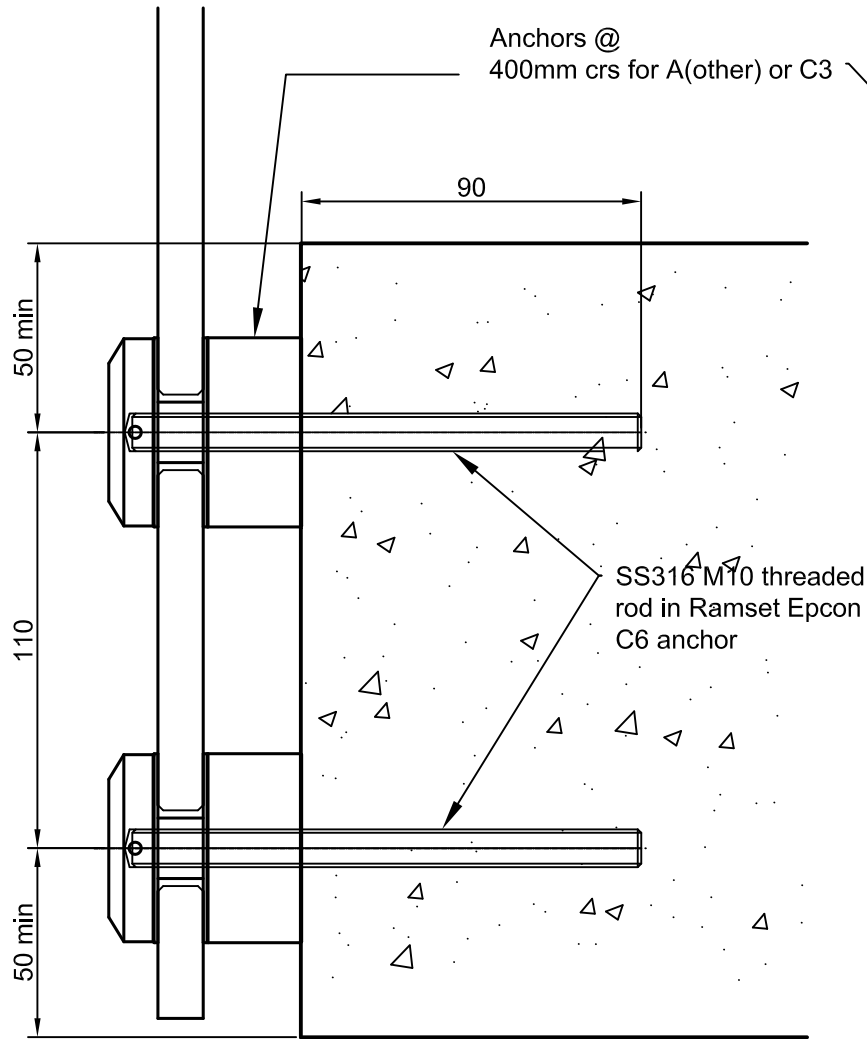
date 1-6-16

drawing no

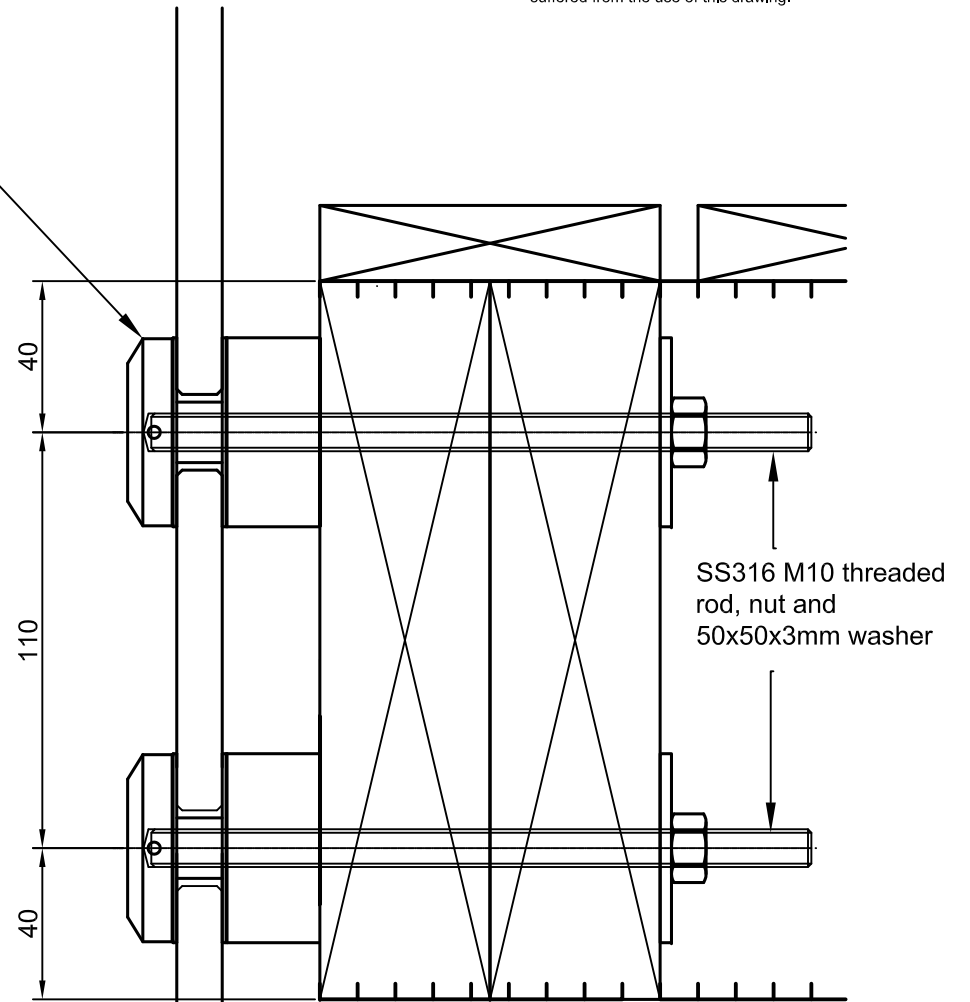
scale 1:10, 1:4

ERC-1b

This drawing is provided as a general guide only. Viridian Glass Ltd Partnership disclaim any responsibility for loss or damage suffered from the use of this drawing.

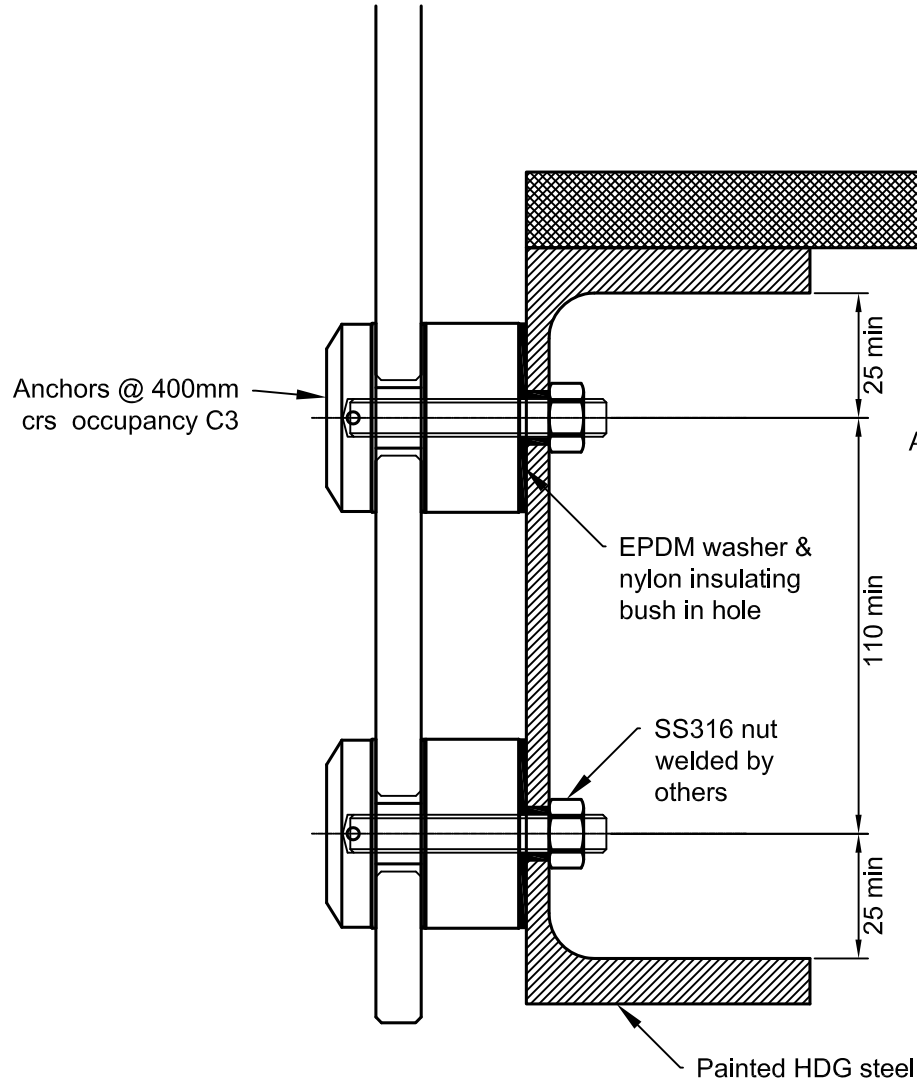


CONCRETE

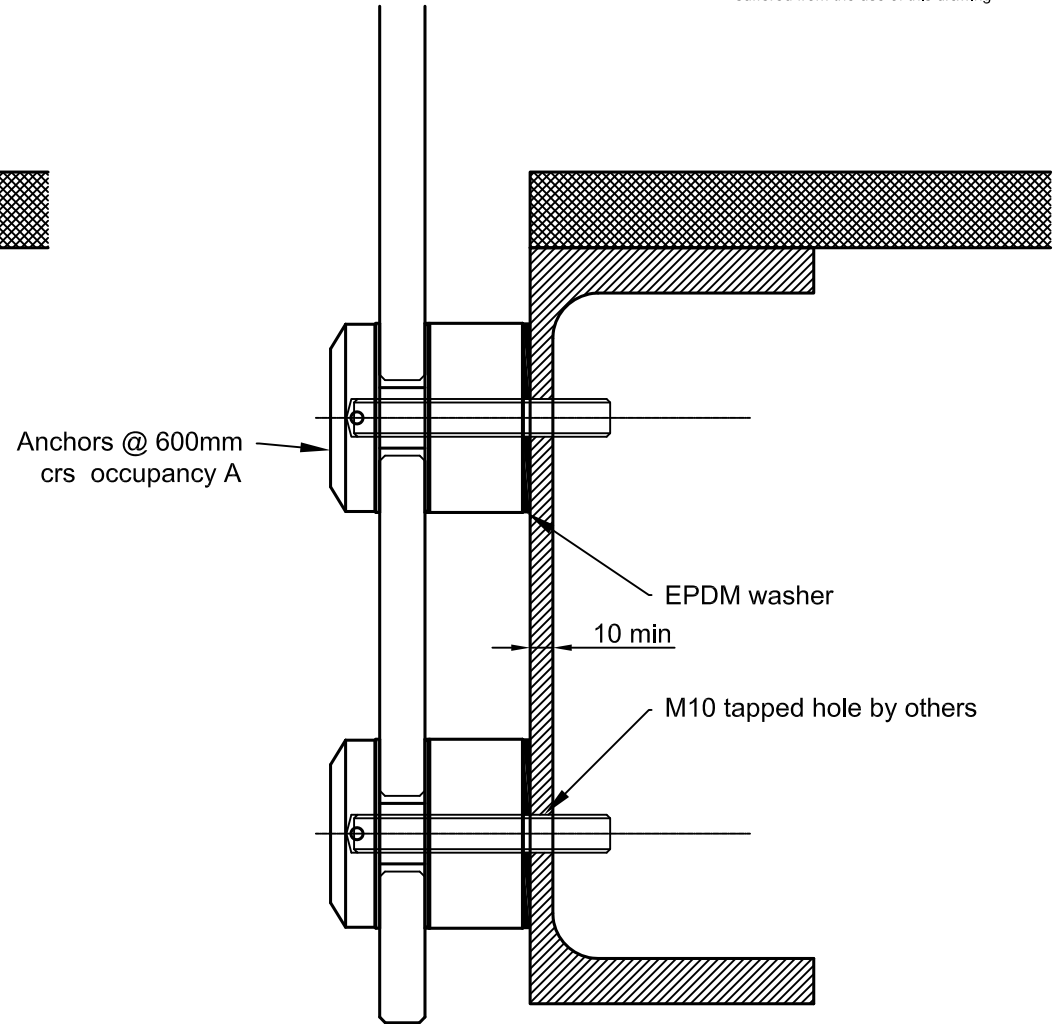


SG 8 TIMBER

This drawing is provided as a general guide only. Viridian Glass Ltd Partnership disclaim any responsibility for loss or damage suffered from the use of this drawing.



STEEL - EXTERNAL



STEEL - INTERNAL