

**NOTES:**

1. This proprietary balustrade system complies with New Zealand Building Code Clauses B1 Structure, B2 Durability, F2 Hazardous Building Materials and F4 Safety From Falling Third Edition, subject to:

-all products meeting their required performance specification

-site installation carried out in accordance with the intent of this drawing

2. Based on design loads from AS/NZS 1170.1 and a maximum ultimate wind pressure of 2.13 kPa (extra high wind zone), maximum span between posts and glass thicknesses are:

Commercial occupancies B, E & C3 of Table 3.3 AS/NZS 1170.1:

Based on 1100mm high balustrade, maximum span between posts -1650mm

Viridian safety glass options according to 22.4.3 of NZS 4223.3:2016 are:

- a. 10mm toughened glass with interlinking rail
- b. 11.2mm toughened laminated glass
- c. 11.52mm toughened SentryGlas laminated glass

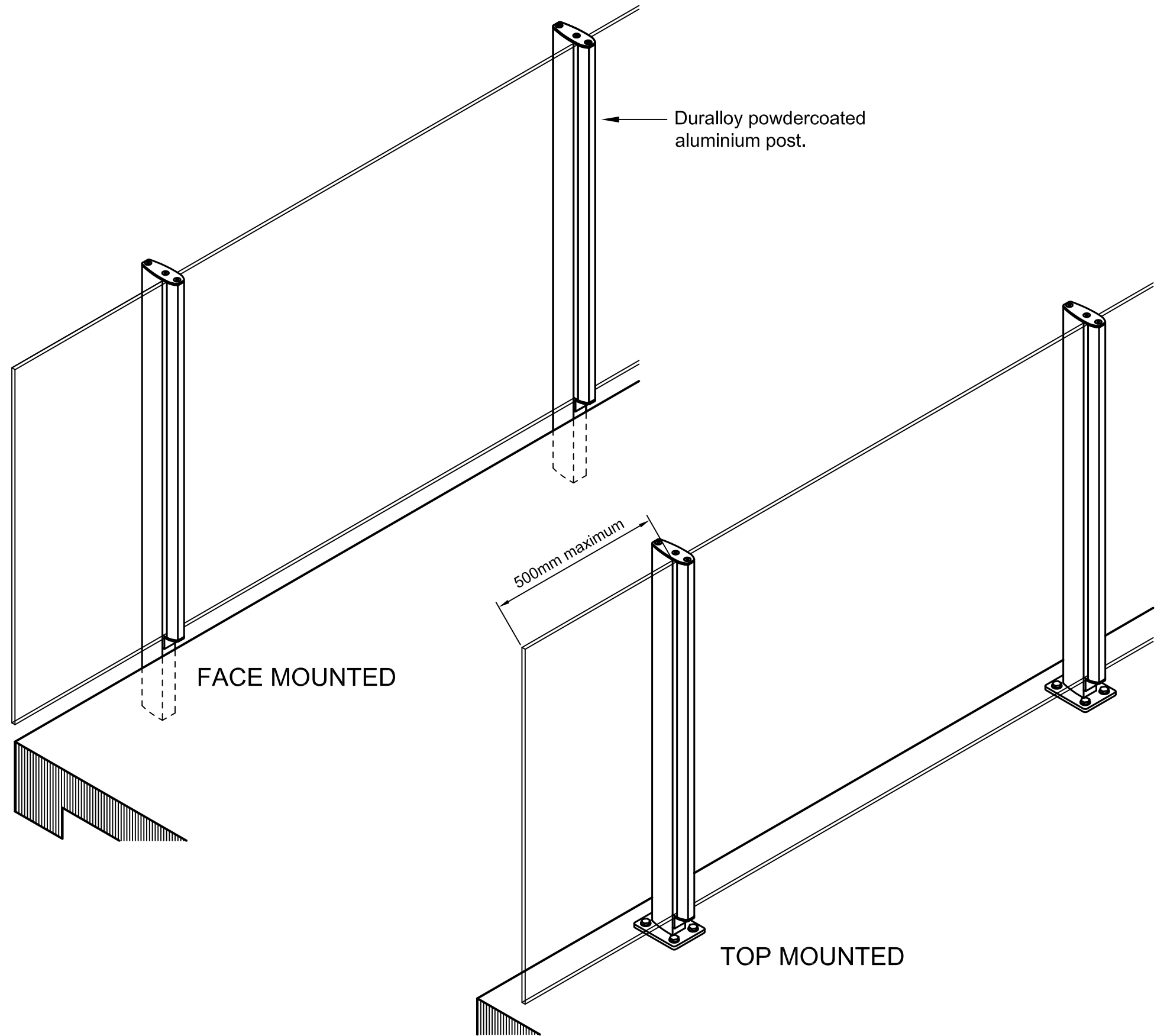
Interlinking rail must be connected to Milano posts, adjacent glass panes or to the building.

3. The design of the concrete support is the responsibility of others.

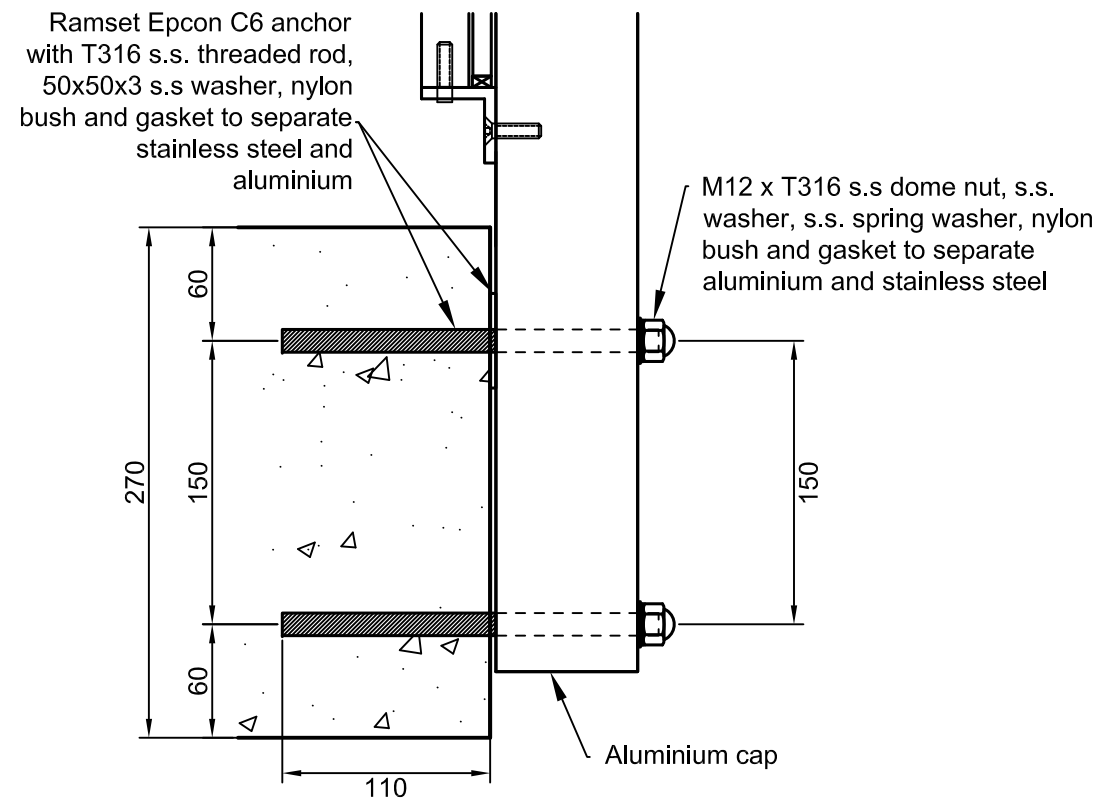
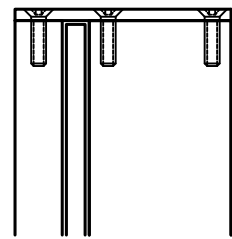
4. A handrail of 32-50mm diameter is required for stairs and ramps exceeding 1:20 slope. Refer NZBC D1/AS1.

5. Use grade 316 stainless steel fixings and washers

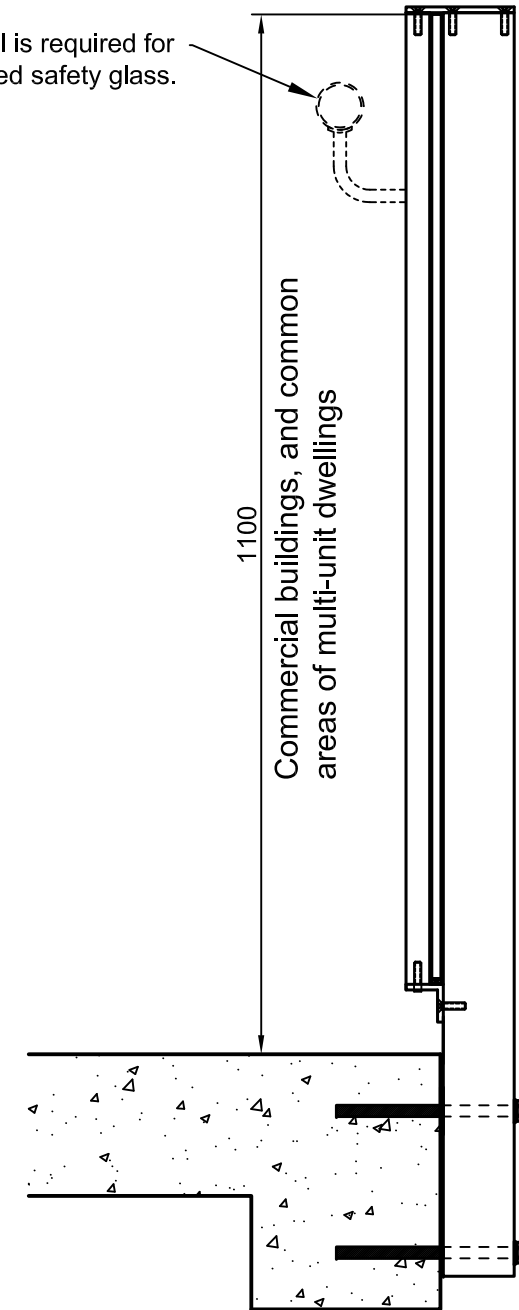
6. Duratec powdercoat or 25 micron anodised finish is recommended for installations within 100m of the coast



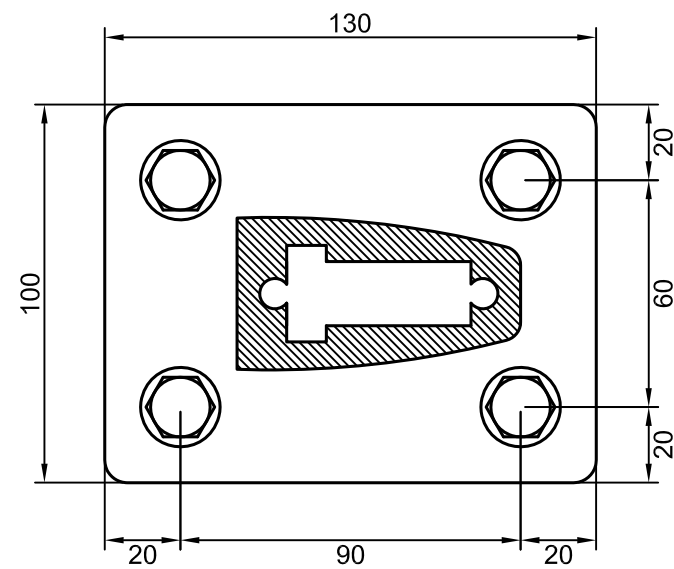
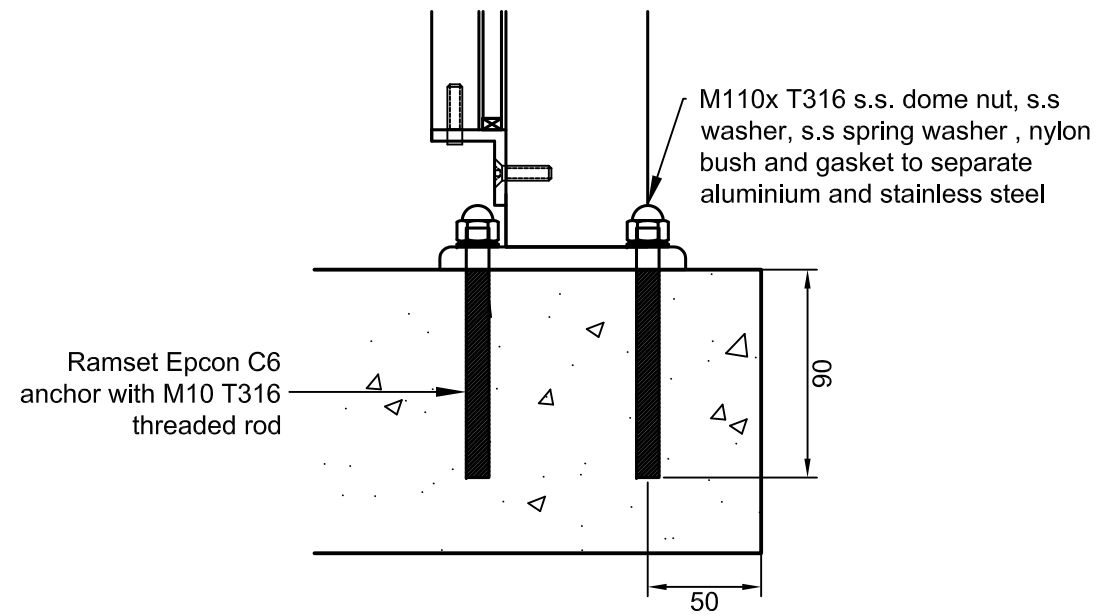
This post is protected by Design  
Registration # 413097 in New Zealand



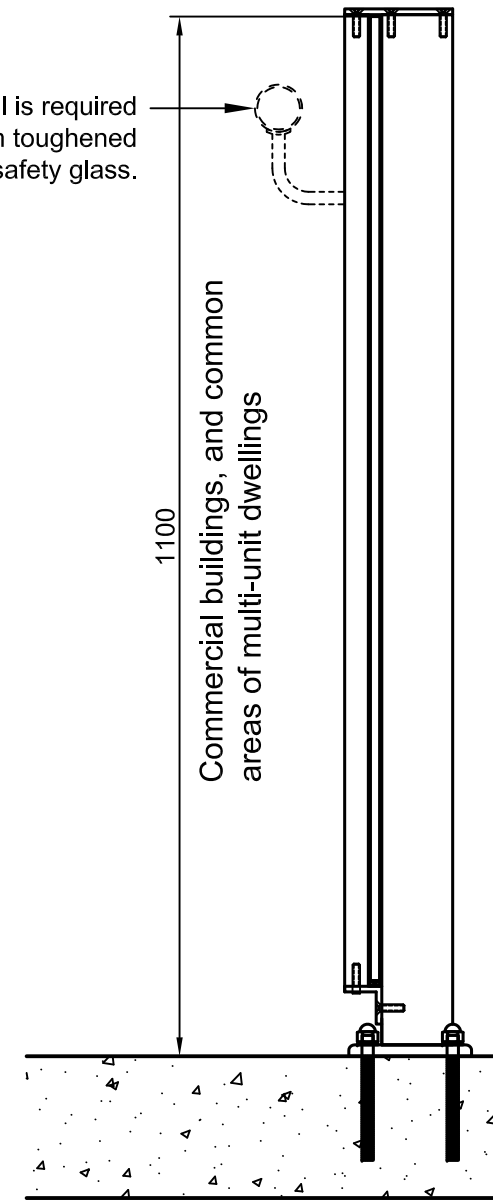
Interlinking rail is required for 10mm toughened safety glass.



This post is protected by Design  
Registration # 413097 in New Zealand

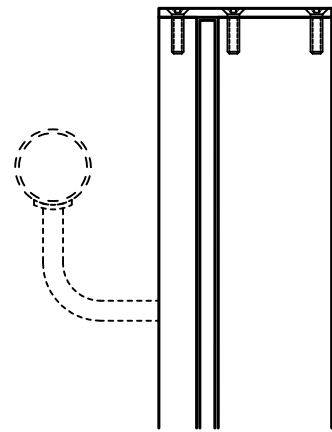


Interlinking rail is required for 10mm toughened safety glass.

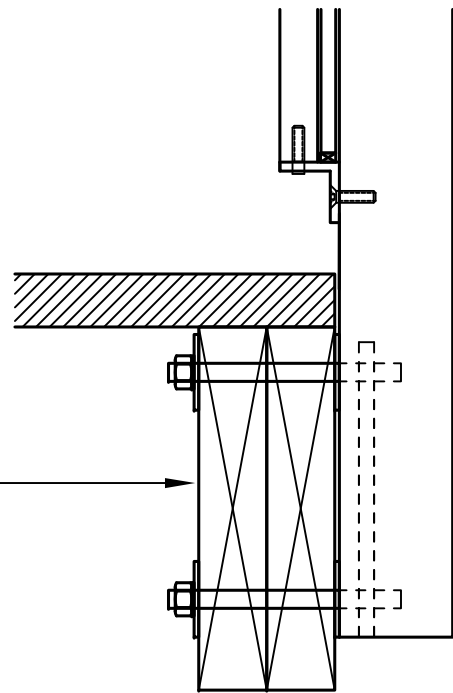


ECPTC post

This post is protected by Design  
Registration # 413097 in New Zealand

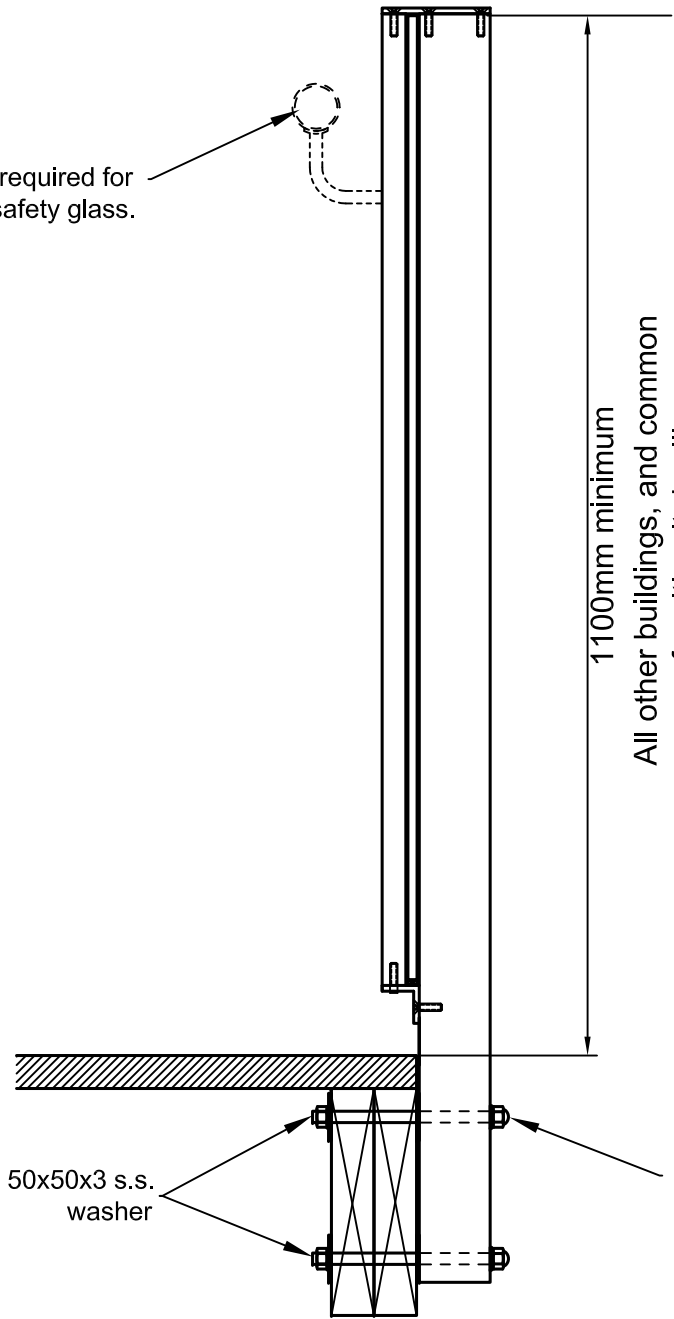


Interlinking rail is required for 10mm toughened safety glass.



Steel or timber support.  
Allow separation gasket and nylon sleeves if external.

ECPHBT post  
Concealed fixings  
FIXING DETAIL A



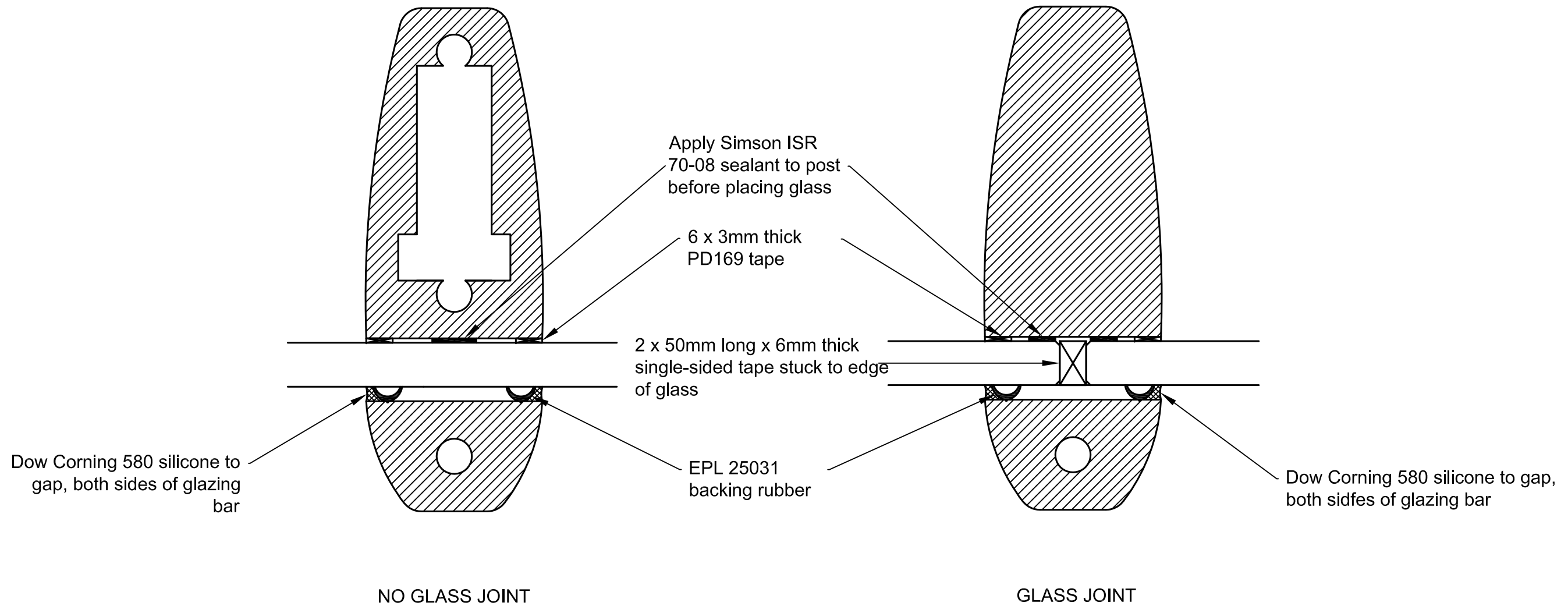
1100mm minimum  
All other buildings, and common  
areas of multi-unit dwellings

M12 x T316 bolt & 50x50x3 s.s. washer

M12 x T316 s.s. dome nut, s.s. washer, s.s. spring washer, nylon bush and gasket to separate aluminium and stainless steel

ECPFBT post  
FIXING DETAIL B

This post is protected by Design  
Registration # 413097 in New Zealand



GLAZING DETAILS