

NOTES:

1. This proprietary balustrade system complies with New Zealand Building Code Clause B1 Structure and B1/VM1, F2 Hazardous Building Materials and F4 Safety From Falling Third Edition, subject to:

- all products meeting the required performance specification
- site installation carried out in accordance with the intent of this drawing

2. Based on barrier loads from AS/NZS 1170.1 and extra high wind zone (2.13 kPa) or less, maximum height H above floor level and safety glass options are:

For residential occupancies A, A(other) & C3 of Table 3.3 AS/NZS 1170.1

Maximum height H 1100mm

Safety glass options according to 22.4.3 and Table 14 of NZS 4223.3:2016 are:

- 12mm toughened glass with interlinking rail between 900mm to 1000mm above floor level.
- 13.5mm toughened laminated glass with interlinking corner brackets
- 13.52mm toughened SentryGlas laminated glass (SentryGlas is a stiff interlayer that complies with 22.4.3 (c) of NZS 4223.3:2016

Maximum height H 1300mm

Safety glass options according to 22.4.3 and Table 14 of NZS 4223.3:2016 are:

- 15mm toughened glass with interlinking rail
- 17.2mm toughened laminated glass with interlinking corner brackets
- 17.52mm toughened SentryGlas laminated glass (SentryGlas is a stiff interlayer that complies with 22.4.3 (c) of NZS 4223.3:2016

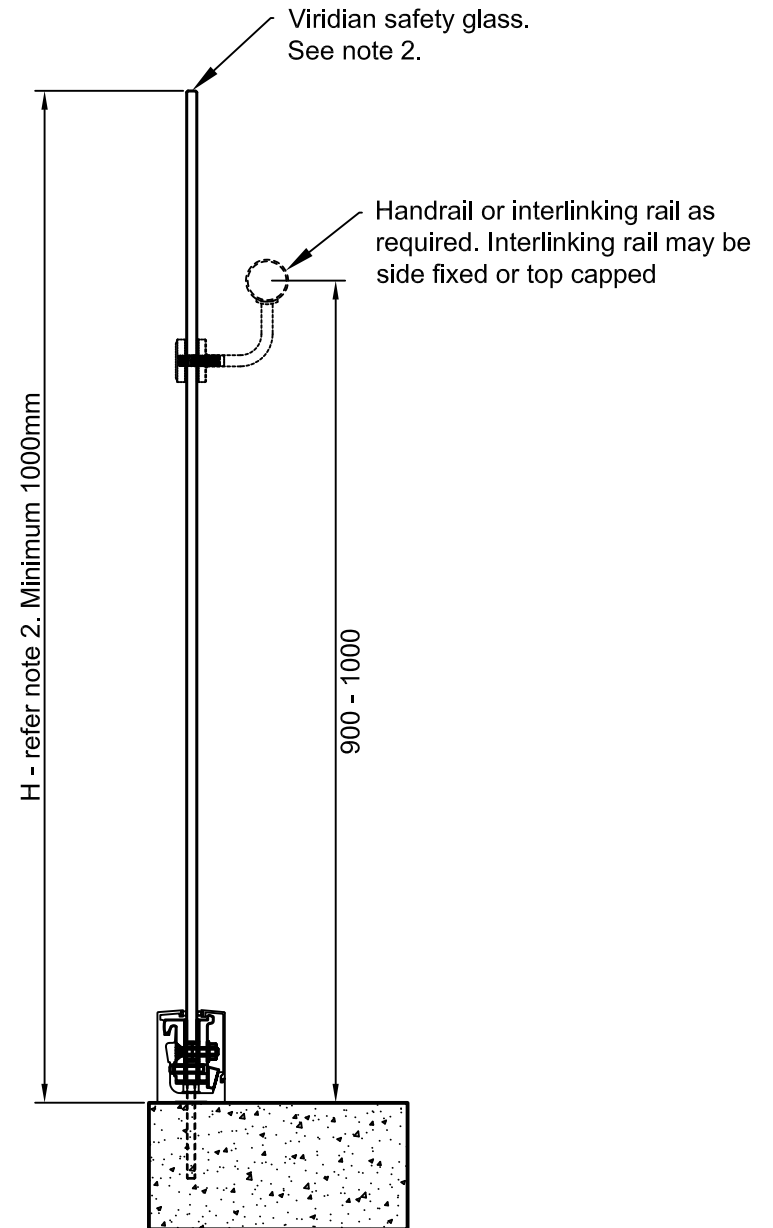
Interlinking rail or brackets must to connected to each glass pane, structural post, or building element as required by NZS 4223.3:2016

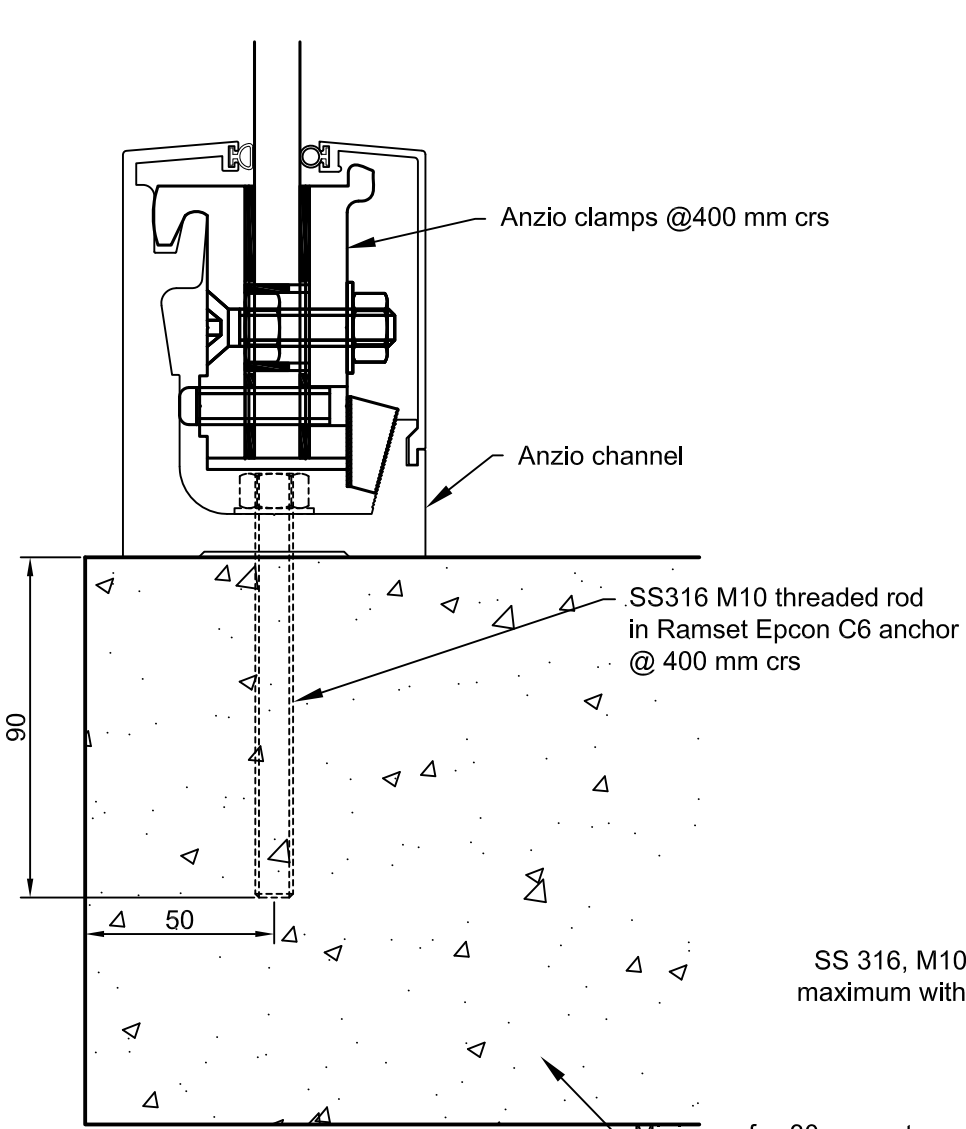
3. Concrete, steel and timber design is the responsibility of others.

4. A handrail of 32-50mm diameter is required for stairs and ramps exceeding 1:20 slope. Fit handrail between 900mm and 1000mm above the pitchline. Refer NZBC D1/AS1.

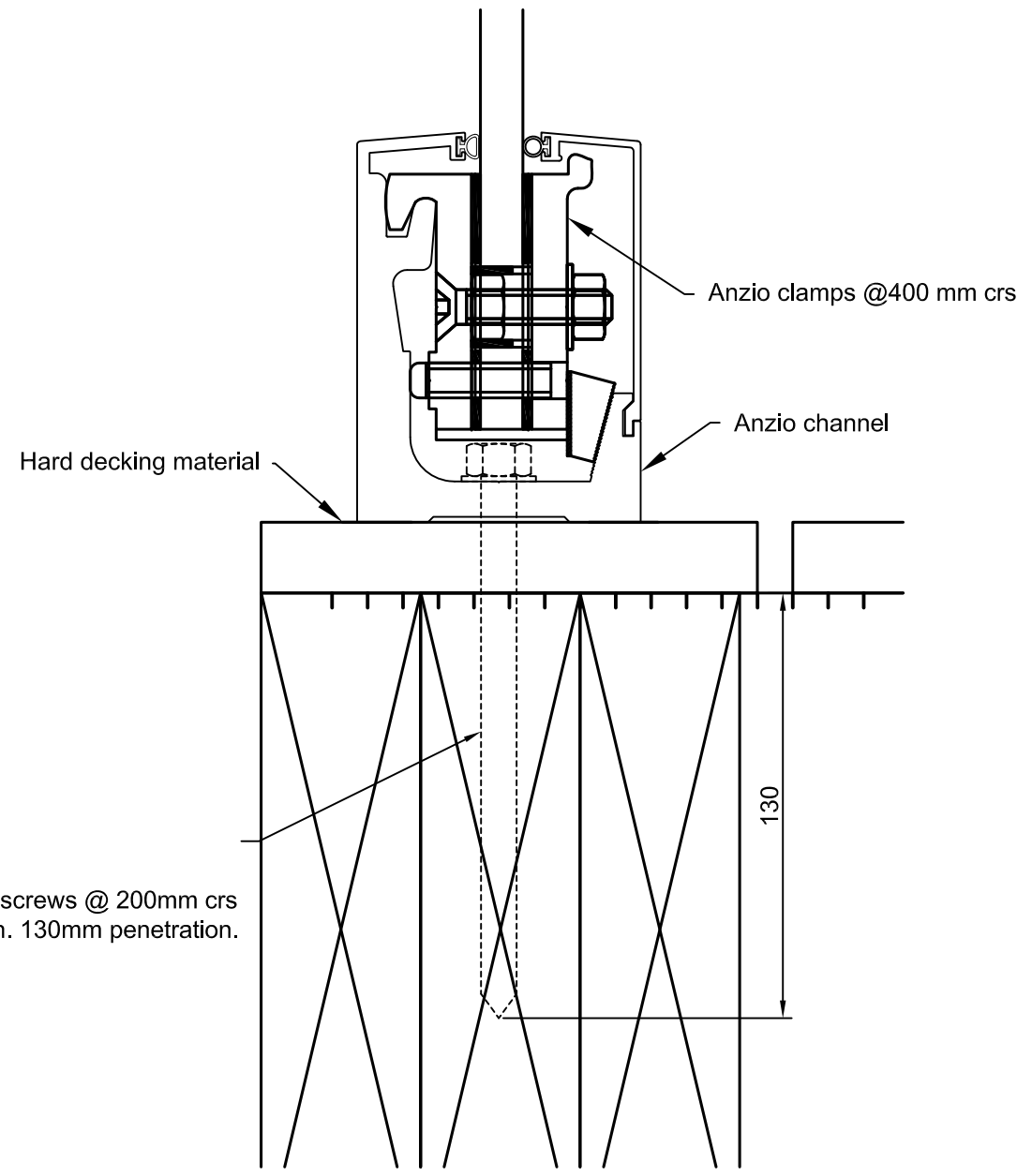
6. Minimum width of glass pane to be 1000mm unless connected by interlinking rail or brackets.

7. The distance between the base fixing and the end of the channel or a joint must not exceed 200mm.

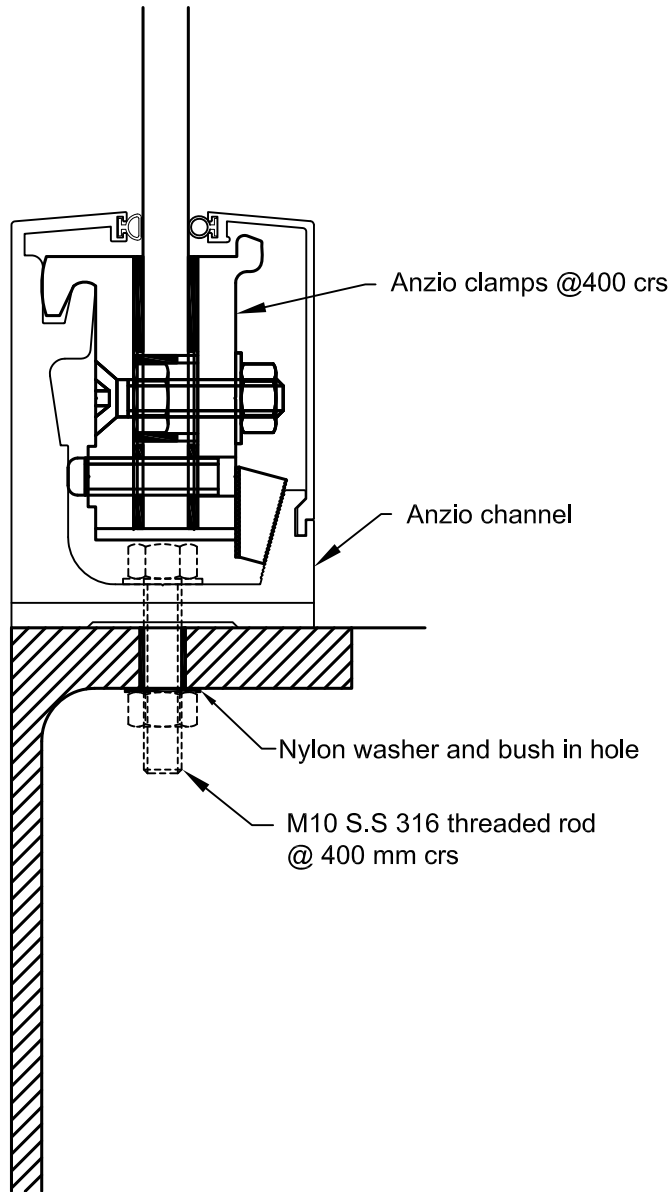




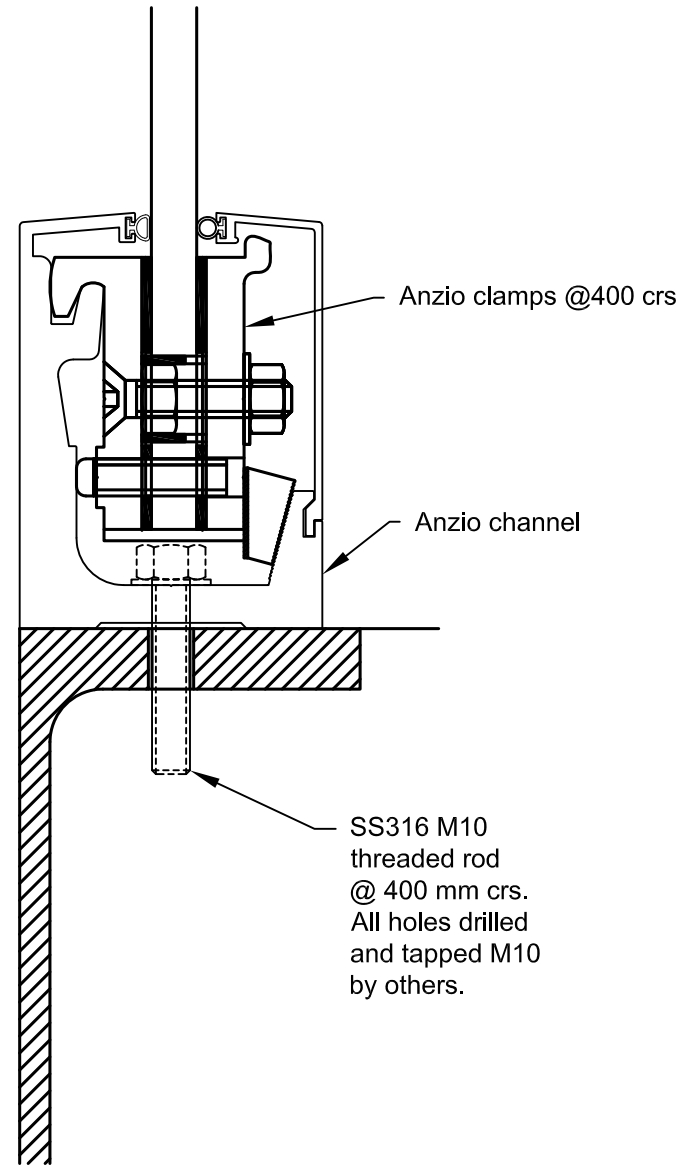
**FIXING DETAIL A
CONCRETE**



**FIXING DETAIL B
WET EXPOSED SG8 TIMBER**



FIXING DETAIL A - STEEL



FIXING DETAIL B - STEEL
FOR INTERNAL INSTALLATION ONLY