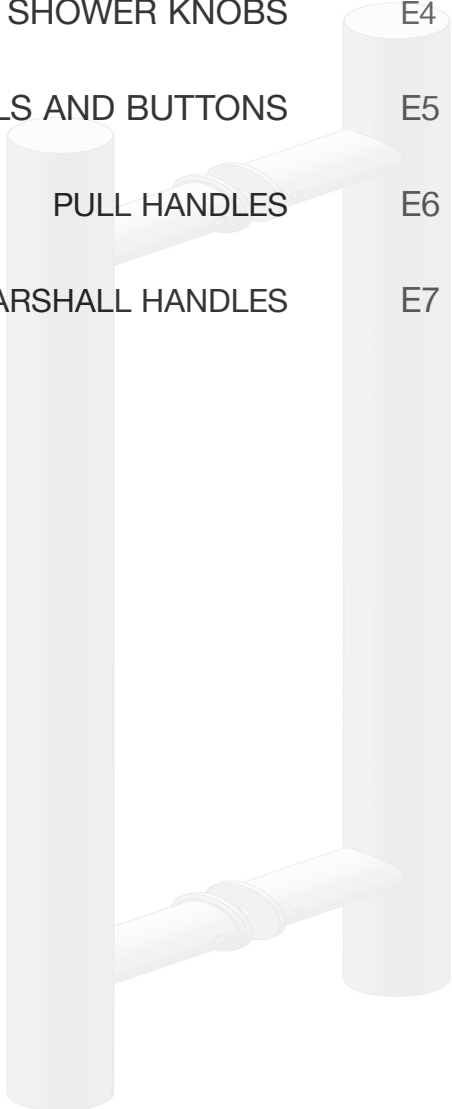


SHOWER PULL HANDLES	E2 - E3
SHOWER KNOBS	E4
SLIDING PULLS AND BUTTONS	E5
PULL HANDLES	E6
MARSHALL HANDLES	E7



HANDLES:
SHOWER PULL HANDLES

CALL: (09) 624-1180
www.euroglass.co.nz



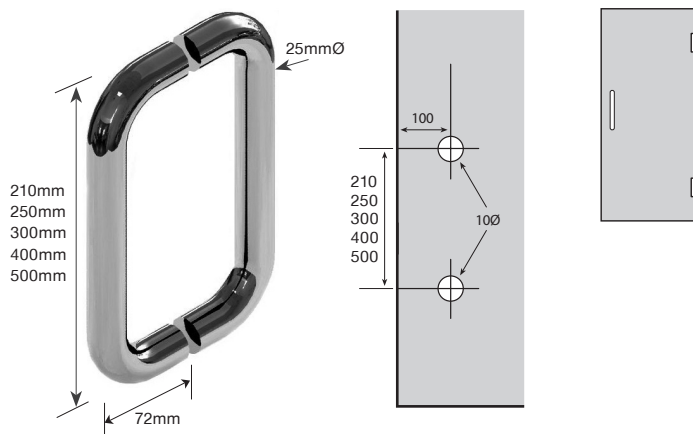
SH210/250/300/400/500 Double D pull handle

AVAILABLE FINISHES

- Polished stainless
- Satin stainless
- Special finishes on request, lead time applies

TECHNICAL DETAILS

Stainless tube, 25mm diameter
Suitable for 6mm, 8mm, 10mm and 12mm glass
Hole centres 210mm/250mm/300mm/400mm
and 500mm
Hole diameter 10mm
Supplied as a pair



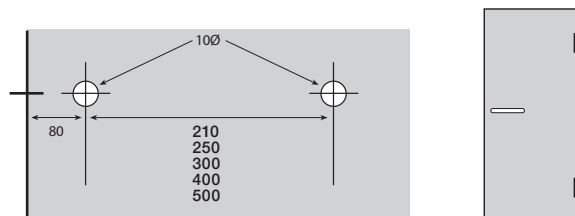
TRK210/250/300/400/500 Towel handle/Pull knob

AVAILABLE FINISHES

- Polished stainless
- Satin stainless
- Special finishes on request, lead time applies

TECHNICAL DETAILS

Stainless tube, 25mm diameter
Suitable for 6mm, 8mm, 10mm and 12mm glass
Hole centres 210mm/250mm/300mm/400mm
and 500mm
Hole diameter 10mm



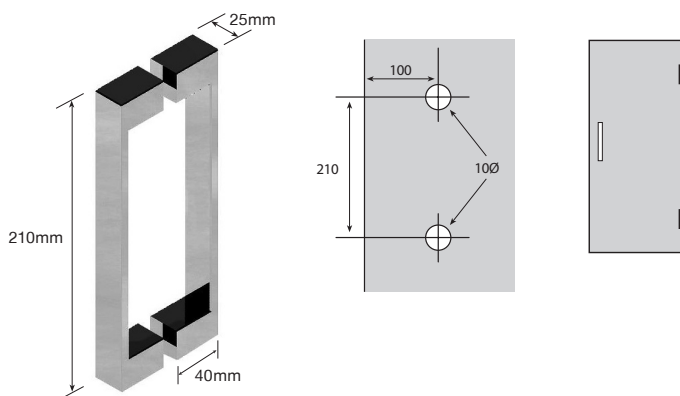
CUBIX 25 Double pull handle

AVAILABLE FINISHES

- Polished stainless
- Satin stainless
- Special finishes on request, lead time applies

TECHNICAL DETAILS

25mm wide grab
Suitable for 6mm, 8mm, 10mm and 12mm glass
Hole centre 210mm
Hole diameter 10mm
Supplied as a pair



HANDLES:
SHOWER PULL HANDLES

CALL: (09) 624-1180
www.euroglass.co.nz



MATISSE H01/H02 Double pull handle

AVAILABLE FINISHES

- Polished stainless

TECHNICAL DETAILS

Suitable for 6mm, 8mm and 10mm glass
19mm diameter grab

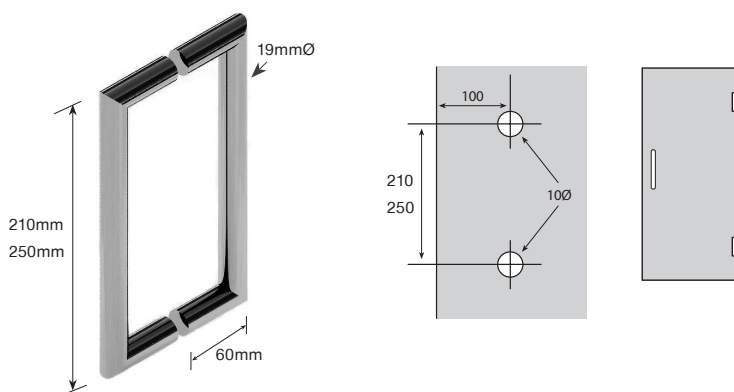
Hole centres;

H01 = 210mm

H02 = 250mm

Hole diameter 10mm

Supplied as a pair



CREST 210 Double pull handle

AVAILABLE FINISHES

- Polished chrome
- Satin chrome
- Special finishes on request, lead time applies

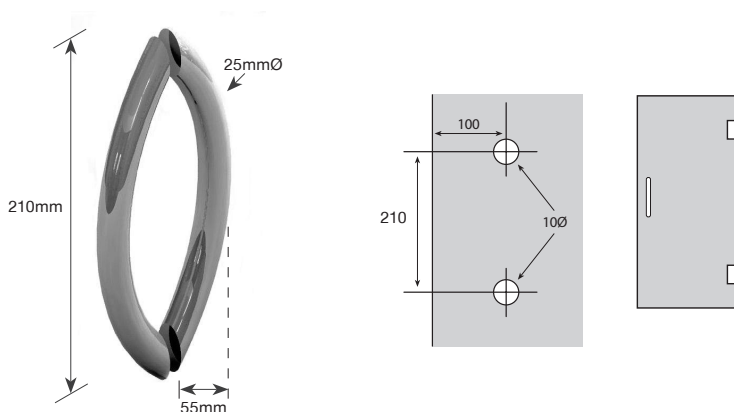
TECHNICAL DETAILS

Stainless steel tube 25mm diameter
Suitable for 6mm, 8mm, 10mm and 12mm glass

Hole centre 210mm

Hole diameter 10mm

Supplied as a pair



HM150/210/300 Marsh handle

AVAILABLE FINISHES

- Polished chrome
- Satin chrome
- Special finishes on request, lead time applies

TECHNICAL DETAILS

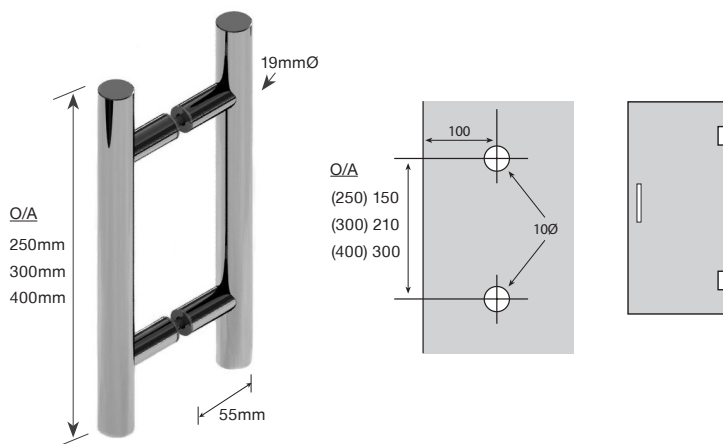
Solid brass, 19mm diameter
Suitable for 6mm, 8mm, 10mm and 12mm glass

Hole centres 150mm/210mm/300mm

Hole diameter 10mm

Supplied as a pair

Custom made sizes are available upon request



HM210SQ Marsh square handles

AVAILABLE FINISHES

- Polished chrome
- Satin chrome
- Special finishes on request, lead time applies

TECHNICAL DETAILS

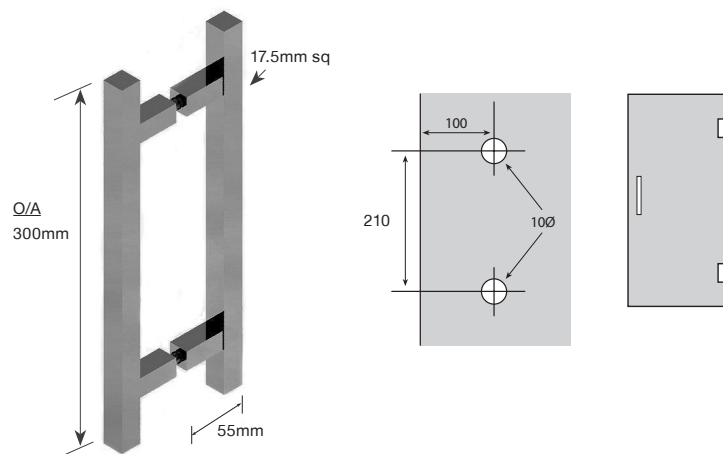
Solid brass, 17.5mm sq
Suitable for 6mm, 8mm, 10mm and 12mm glass

Hole centres 210mm

Hole diameter 10mm

Supplied as a pair

Custom made sizes are available upon request



HANDLES:
SHOWER KNOBS

CALL: (09) 624-1180
www.euroglass.co.nz



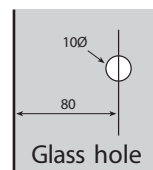
SK40 Double pull knob

AVAILABLE FINISHES

- Polished chrome
- Satin chrome
- Special finishes on request, lead time applies

TECHNICAL DETAILS

Solid brass 25mm diameter
Hole diameter 10mm
Supplied as a pair
Also available as single knob with button



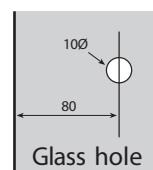
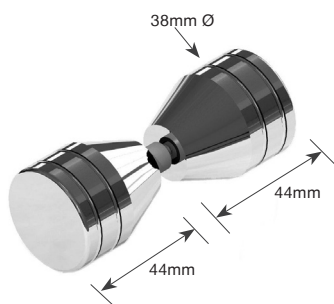
SK60 Double pull knob

AVAILABLE FINISHES

- Polished chrome
- Satin chrome
- Special finishes on request, lead time applies

TECHNICAL DETAILS

Solid brass 38mm diameter
Hole diameter 10mm
Supplied as a pair



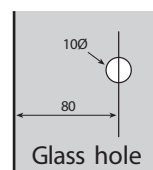
SK80 Double pull knob

AVAILABLE FINISHES

- Polished chrome
- Satin chrome
- Special finishes on request, lead time applies

TECHNICAL DETAILS

Solid brass 38mm diameter
Hole diameter 10mm
Supplied as a pair
Also available as single knob with button



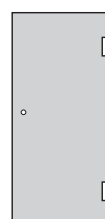
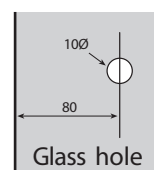
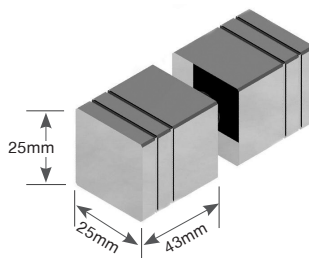
SK25 Double pull knob square

AVAILABLE FINISHES

- Polished chrome
- Satin chrome
- Special finishes on request, lead time applies

TECHNICAL DETAILS

Solid brass 25mm x 25mm
Hole diameter 10mm
Supplied as a pair



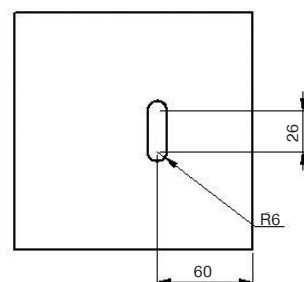
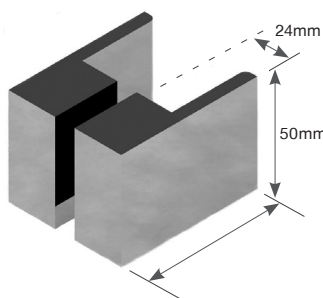
SK50 Double pull knob square

AVAILABLE FINISHES

- Polished chrome
- Satin chrome
- Special finishes on request, lead time applies

TECHNICAL DETAILS

Solid brass 50mm x 74mm
Hole configuration needs to be slotted
Supplied as a pair



HANDLES:
SLIDING PULL AND WASHERS

CALL: (09) 624-1180
www.euroglass.co.nz



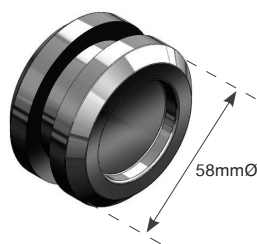
SS9 Sliding door finger pull

AVAILABLE FINISHES

- Satin chrome

TECHNICAL DETAILS

Hole diameter 48mm
Suits 8mm and 10mm glass



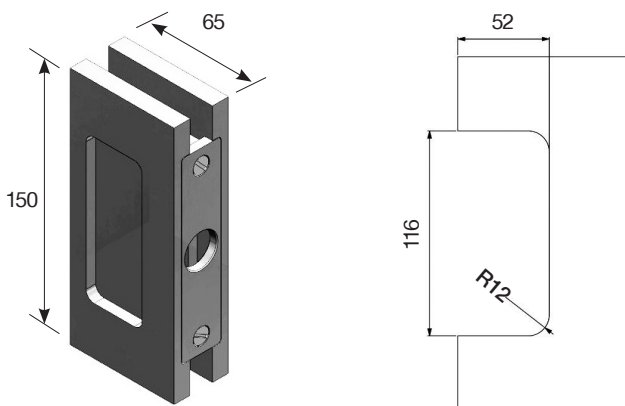
SFP Flush pull handle

AVAILABLE FINISHES

- Natural anodised

TECHNICAL DETAILS

Designed for sliding doors
Suitable for 10mm and 12mm glass



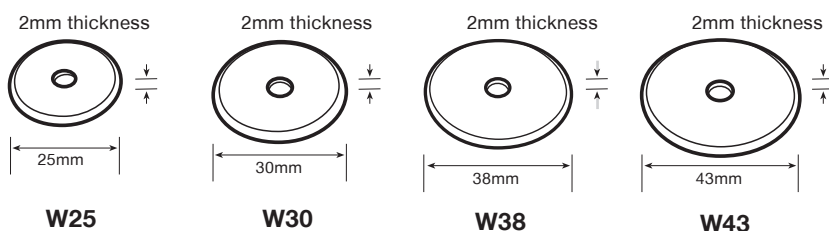
W25/W30/W38/W43 Washers

AVAILABLE FINISHES

- Polished chrome
- Satin chrome
- Special finishes on request, lead time applies

TECHNICAL DETAIL

Manufactured in solid brass
W25 washer to suit SK60 knob and Marsh handles
W30 washer to suit SK40 knob SH and TRK handles
W38 washer to suit Modern handle
W43 washer to suit SK80 knob



HANDLES: PULL HANDLES

CALL: (09) 624-1180
www.euroglass.co.nz



DD300/DD500/DD600 Double D handles

AVAILABLE FINISHES

- Polished stainless steel
- Satin stainless steel

TECHNICAL DETAILS

Suitable for swing or sliding doors

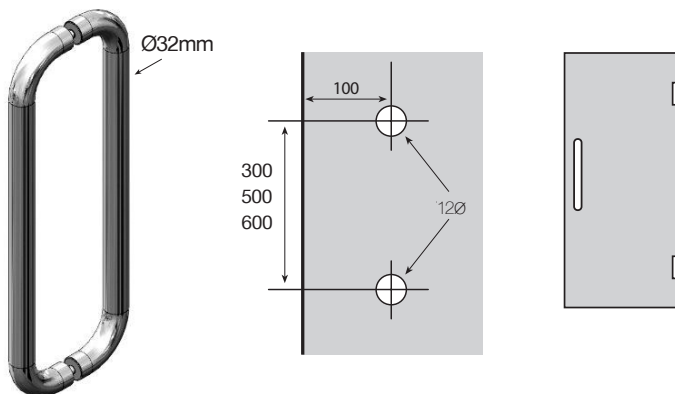
32mm diameter

DD300 - 300mm centres

DD500 - 500mm centres

DD600 - 600mm centres

Custom lengths & diameters available to order



FSD450 MADISON Pull handle

AVAILABLE FINISHES

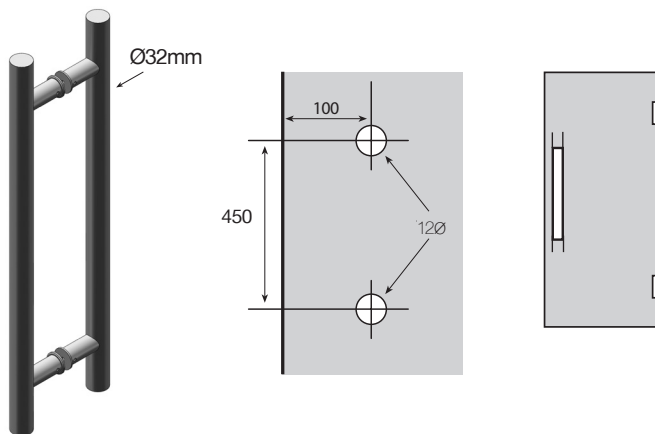
- Satin stainless steel
- Polished stainless steel

TECHNICAL DETAILS

Suitable for swing or sliding doors

32mm diameter

450mm centres



DAB450 LIBERTY Pull handle

AVAILABLE FINISHES

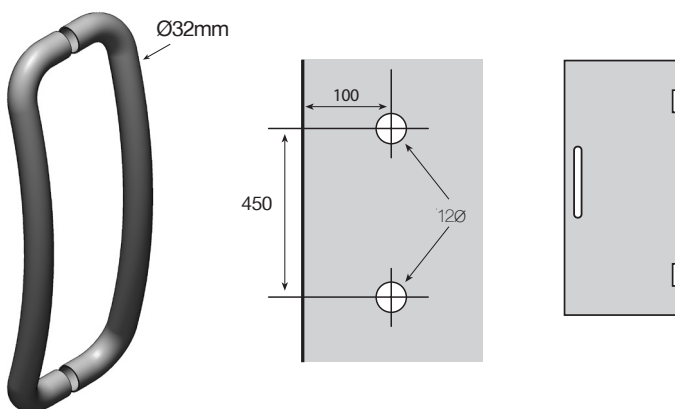
- Satin stainless steel
- Polished stainless steel

TECHNICAL DETAILS

Suitable for swing or sliding doors

32mm diameter

450mm centres



CHM480/600/800/1200/1500SQ

Marshall square handle

AVAILABLE FINISHES

- Satin stainless steel
- Polished stainless steel

TECHNICAL DETAILS

Suitable for swing or sliding doors

25mm width

CHM480SQ - 480mm centres/600mm overall

CHM600SQ - 600mm centres/800mm overall

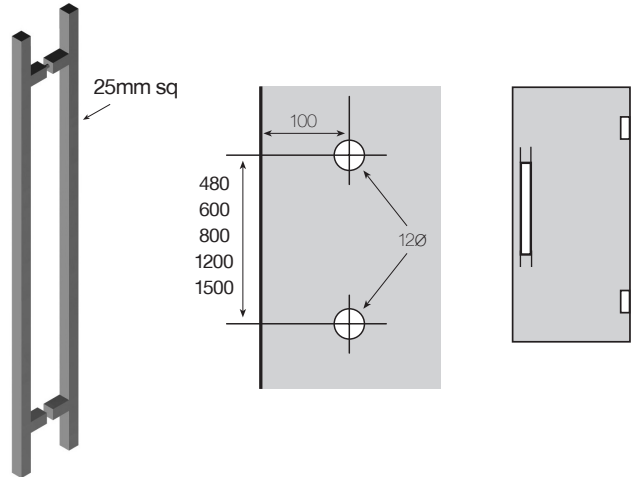
CHM800SQ - 800mm centres/1000mm overall

CHM1200SQ - 1200mm centres/1400mm overall

CHM1500SQ - 1500mm centres/1700mm overall

Additional legs available on request

Custom lengths & diameters available to order



CHF480/600/800/1200/1500

Marshall round handle, flared leg

AVAILABLE FINISHES

- Satin stainless steel
- Polished stainless steel

TECHNICAL DETAILS

Suitable for swing or sliding doors

25mm diameter

CHF480 - 480mm centres/600mm overall

CHF600 - 600mm centres/800mm overall

CHF800 - 800mm centres/1000mm overall

CHF1200 - 1200mm centres/1400mm overall

CHF1500 - 1500mm centres/1700mm overall

Additional legs available on request

Custom lengths & diameters available to order

