

NOTES:

1. This proprietary pool barrier complies with New Zealand Building Code B1, F2 and F9/AS1, subject to:

- all products meeting the required performance specification
- site installation carried out in accordance with intent of this drawing
- minimum fence height of 1200mm from finished floor level
- pool barrier does not safeguard a fall of a metre or more

2. Based on wind zones, 330 N point load from NZS 8500:2006 and 800mm Pradis spacing, maximum heights are:

Wind zones:

Extra high	1200 mm
Very high	1300 mm
High	1400 mm
Medium	1500 mm

3. Viridian glass options are:

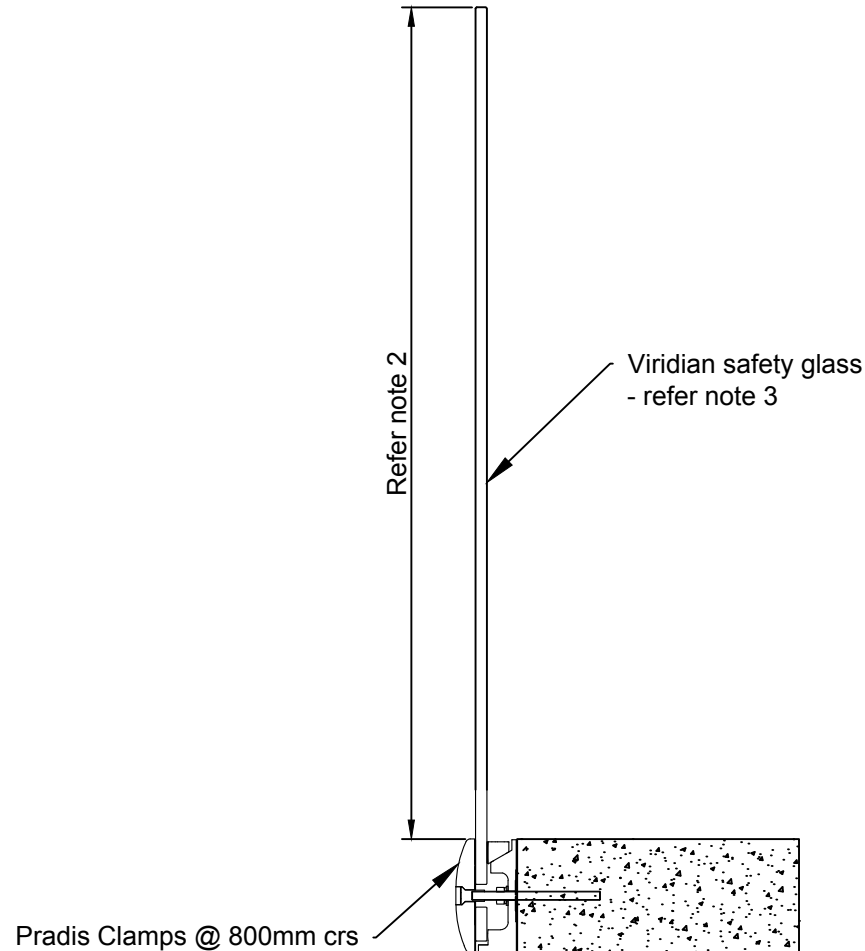
- a. 15mm toughened safety glass
- b. 17.52mm toughened SentryGlas laminated safety glass

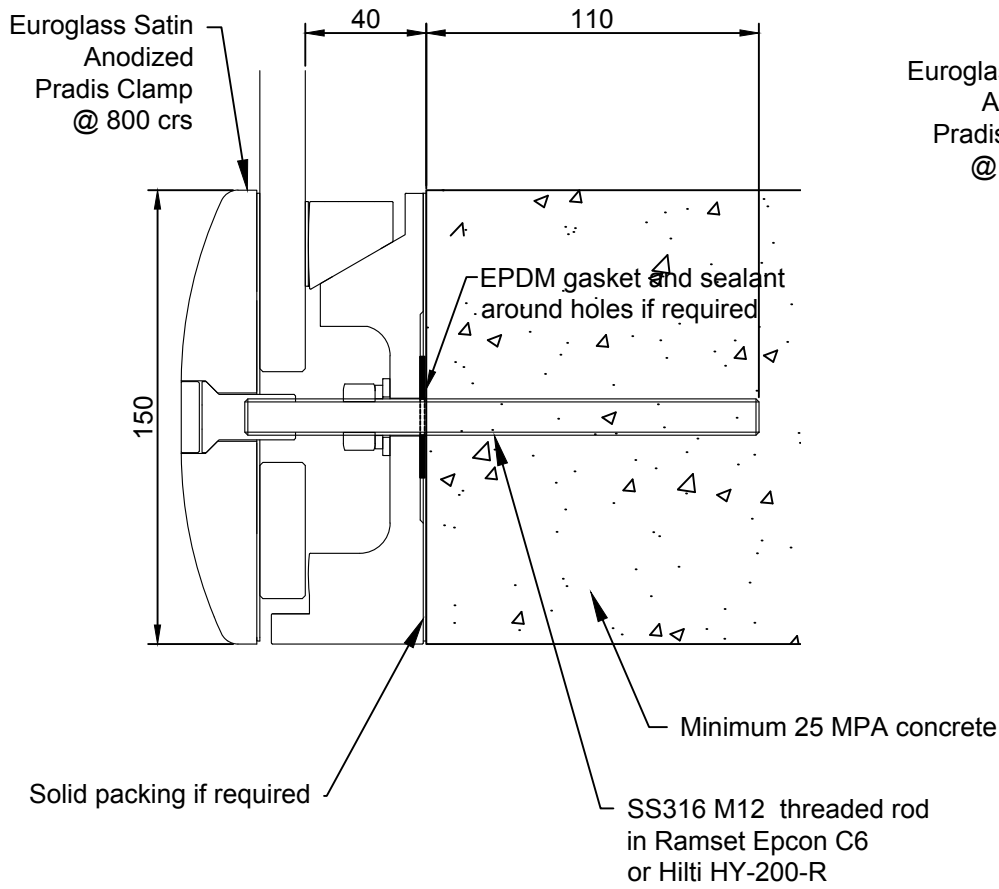
To make allowance for the consequences of failure required by B1.3.4 of Building Code B1, glass option b should be selected.

4. The design of the concrete, steel or timber support for the balustrade is the responsibility of others.

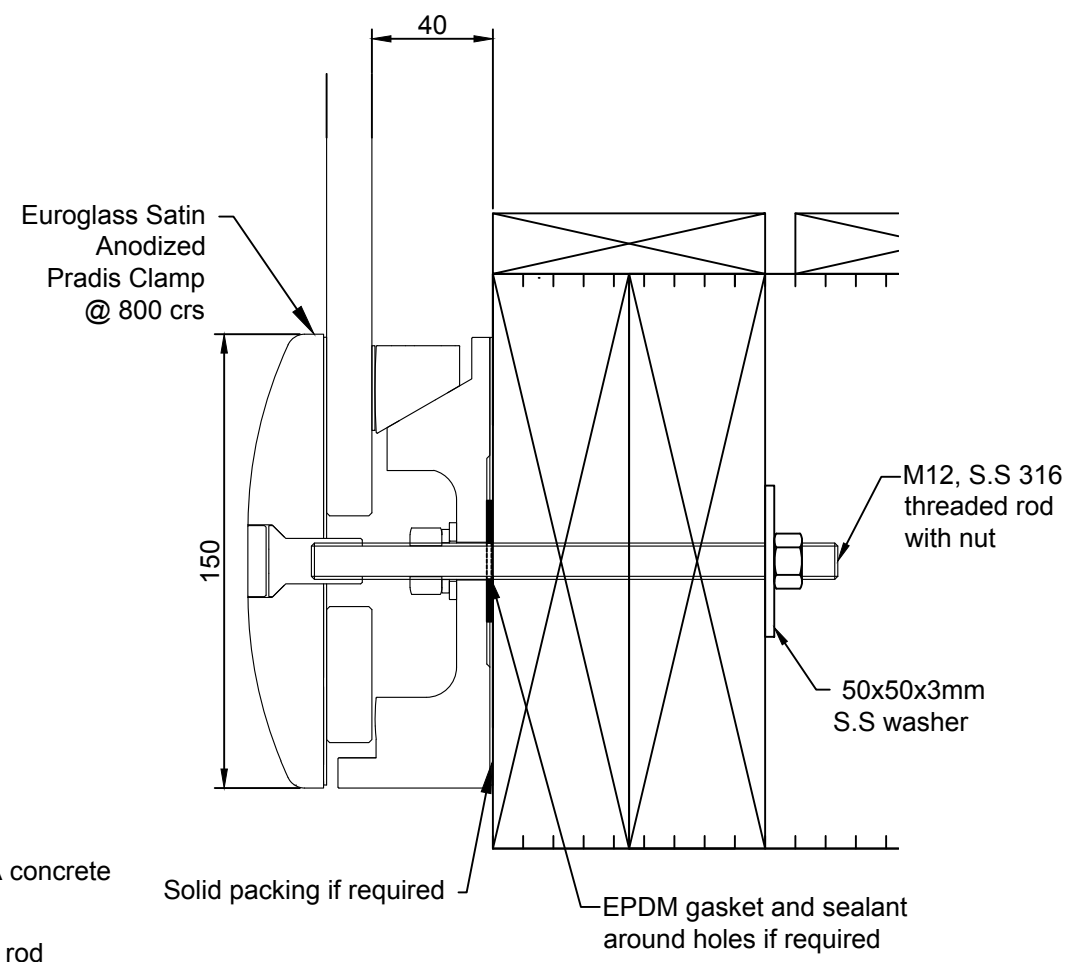
5. Minimum width of glass pane is 1000 mm unless connected by an interlinking rail or gap clamps.

7. Maximum distance from side edge of glass to clamp is 200mm

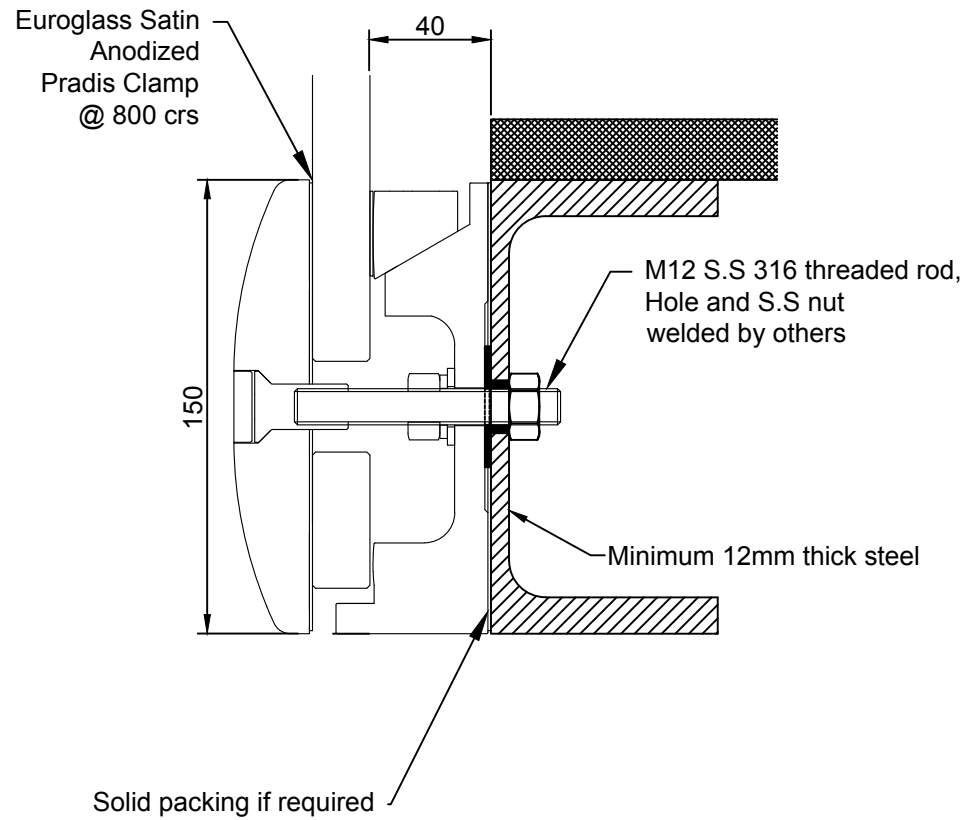




**FIXING DETAIL A
CONCRETE**



**FIXING DETAIL B
BOLT TROUGH SG8 TIMBER**



FIXING DETAIL A