

**NOTES:**

1. This proprietary pool barrier complies with New Zealand Building Code B1, F2 and F9/AS1, subject to:

- all products meeting the required performance specification
- site installation carried out in accordance with intent of this drawing
- minimum fence height of 1200mm from finished floor level
- pool barrier does not safeguard a fall of a metre or more

2. Based on 330 N point load from NZS 8500:2006, maximum barrier height for wind zones and Pradis clamp spacings are:

Wind zones:

Medium	1300 mm
High	1250mm

Pradis clamp spacings:

- Concrete, steel or bolted through timber - 800mm
- Lagscrews with Sika Anchorfix 3 - 600 mm

3. Viridian glass options are:

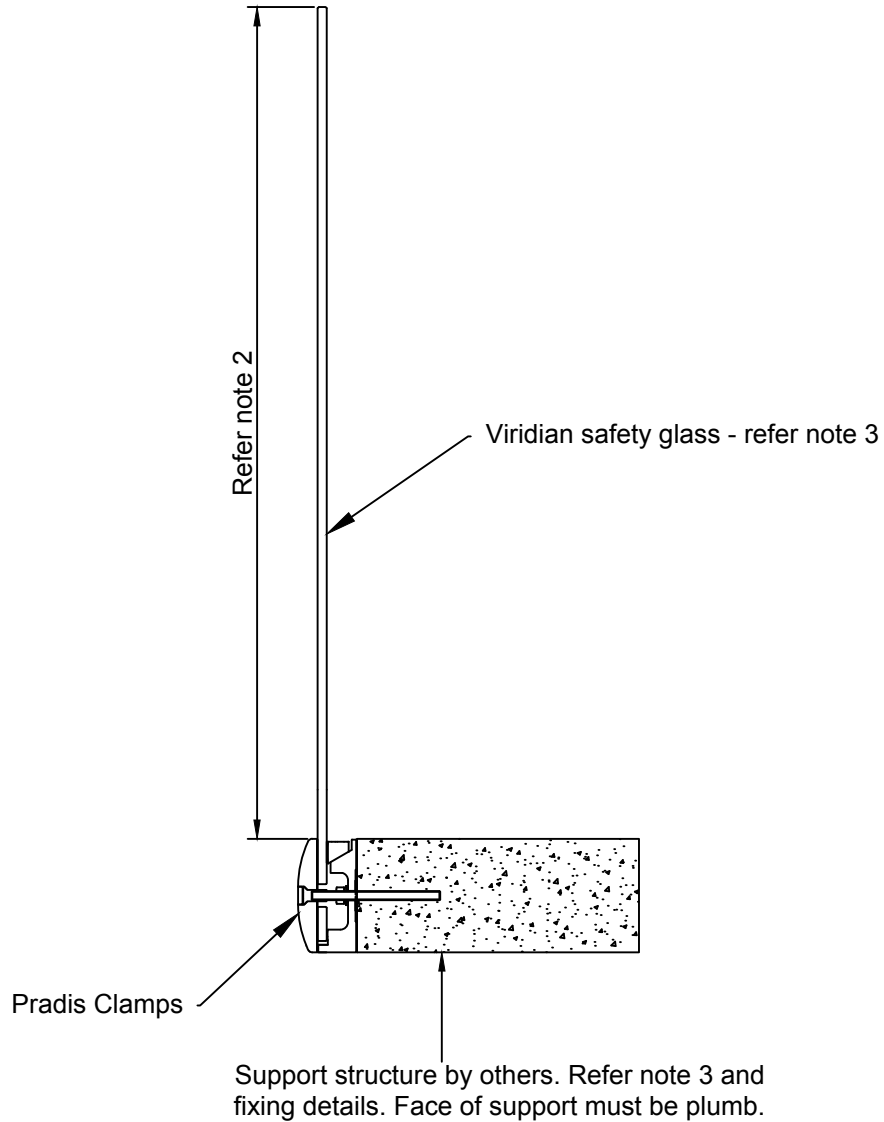
- a. 12mm toughened safety glass
- b. 13.52mm toughened SentryGlas laminated safety glass

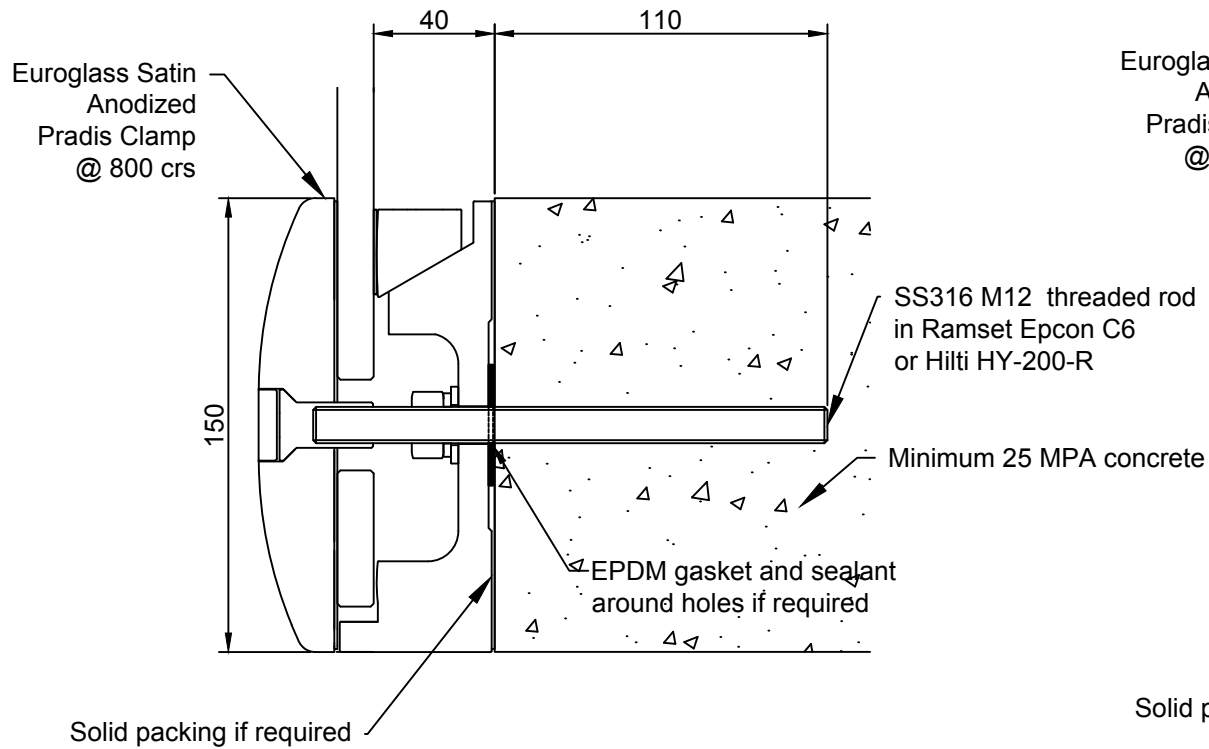
To make allowance for the consequences of failure required by B1.3.4 of Building Code B1, glass option b should be selected.

4. The design of the concrete, steel or timber support for the balustrade is the responsibility of others.

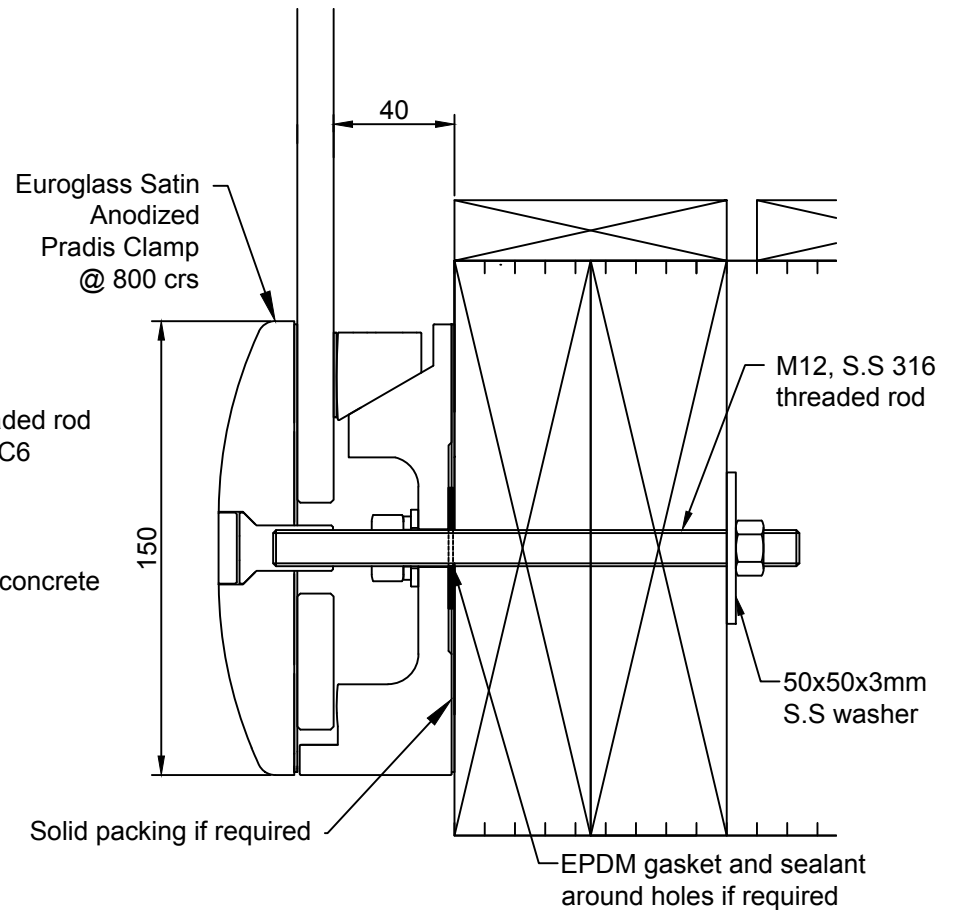
5. Minimum width of glass pane is 1000 mm unless connected by an interlinking rail or gap clamps.

7. Maximum distance from side edge of glass to clamp is 200mm

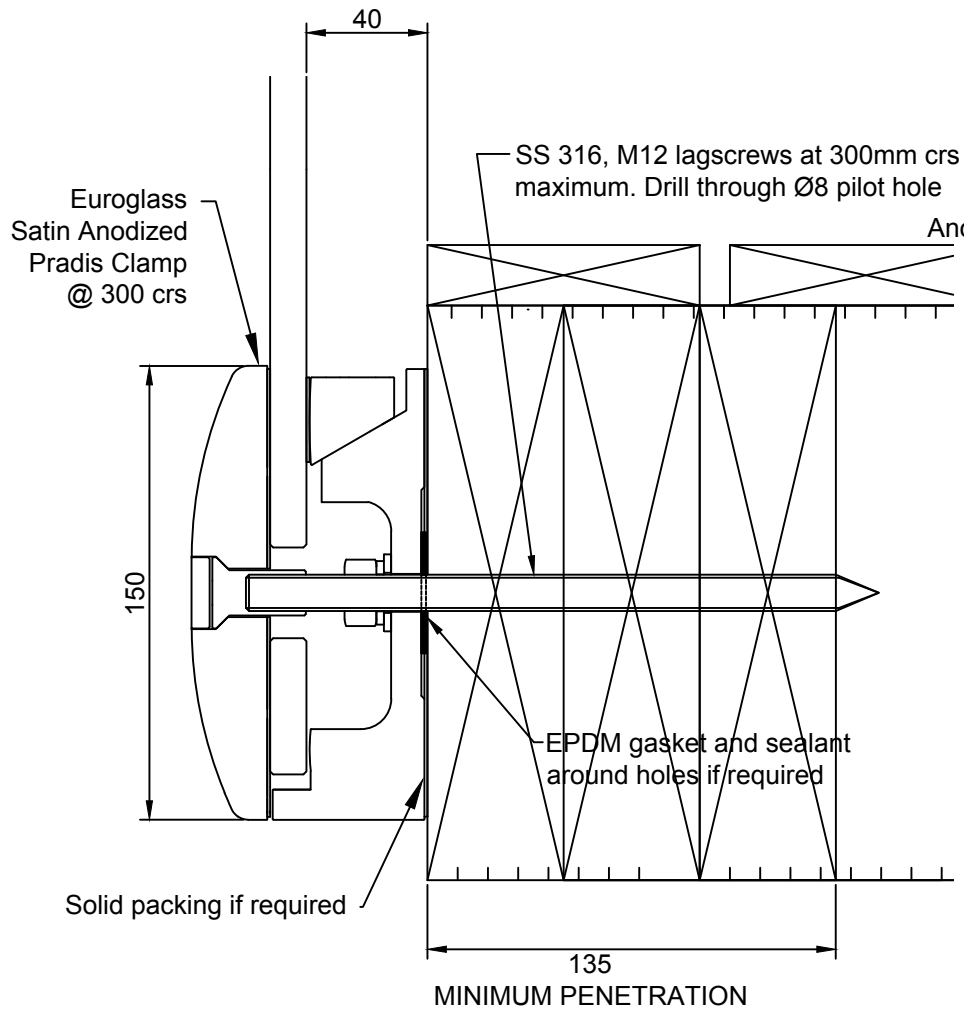




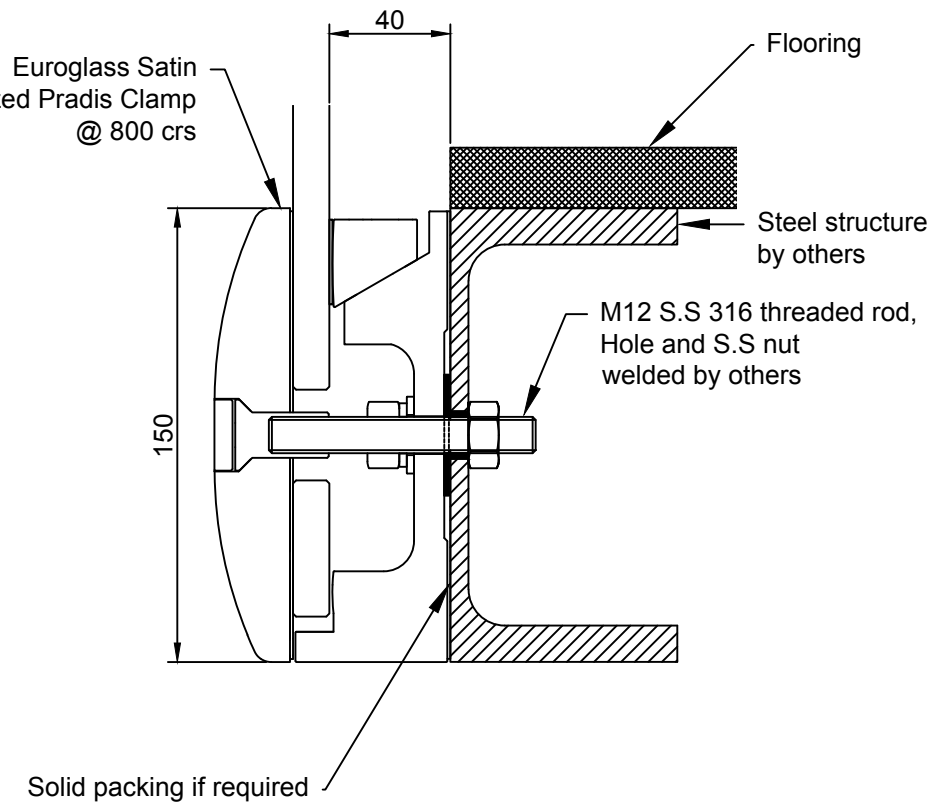
FIXING DETAIL A  
CONCRETE



FIXING DETAIL B  
BOLT THROUGH SG8 TIMBER



**FIXING DETAIL A**  
**WET EXPOSED SG8 TIMBER**



**FIXING DETAIL B**