

**NOTES:**

1. This proprietary pool barrier complies with New Zealand Building Code Clauses B1 Structure, F2 Hazardous Building Materials and F9/AS1, subject to:

- all products meeting the required performance specification
- site installation carried out in accordance with the intent of this drawing
- minimum barrier height of 1200mm from finished floor level
- pool barrier does not safeguard a fall of a metre or more

2. Maximum height of glass above the Monaco clamp for wind zones are provided in the table below.

Viridian glass options are:

- a. 15mm toughened glass
- b. 17.2mm toughened laminated glass
- c. 17.52mm toughened SentryGlas laminated glass

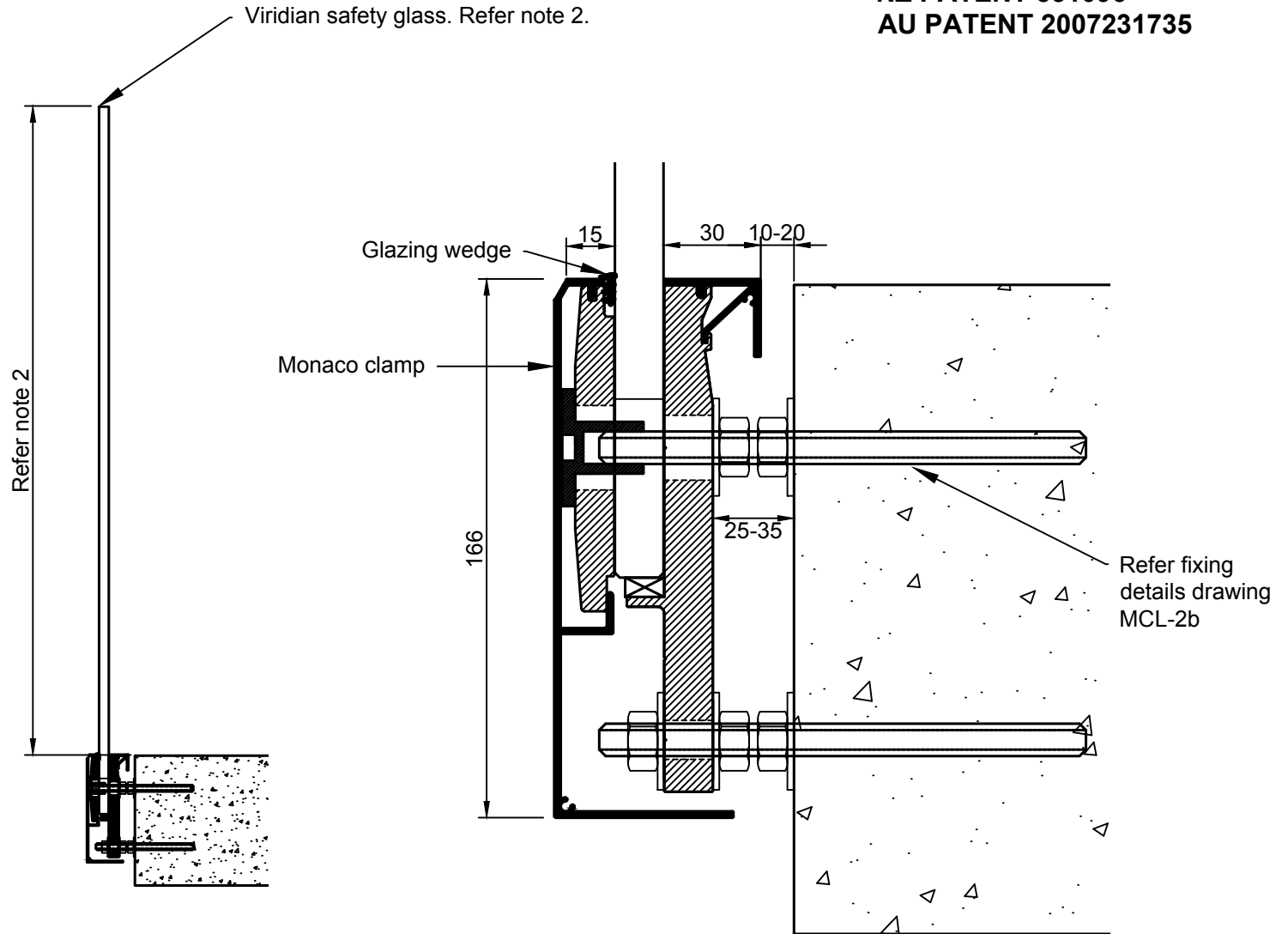
To make allowance for the consequences of failure required by B1.3.4 of the Building Code, glass options b or c should be selected.

3. Concrete, timber and steel design is the responsibility of others

4. A handrail of 32-50mm diameter is required for stairs and ramps exceeding 1:20 slope. Refer NZBC D1/AS1.

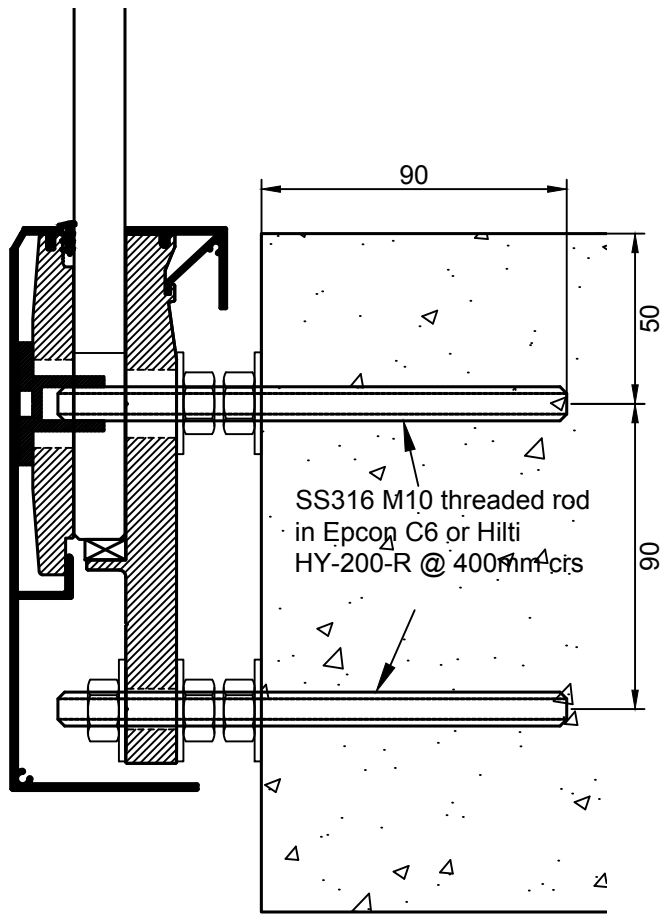
5. Minimum width of glass pane is 1000mm unless connected by interlinking rail or gap clamps.

**NZ PATENT 551096  
AU PATENT 2007231735**

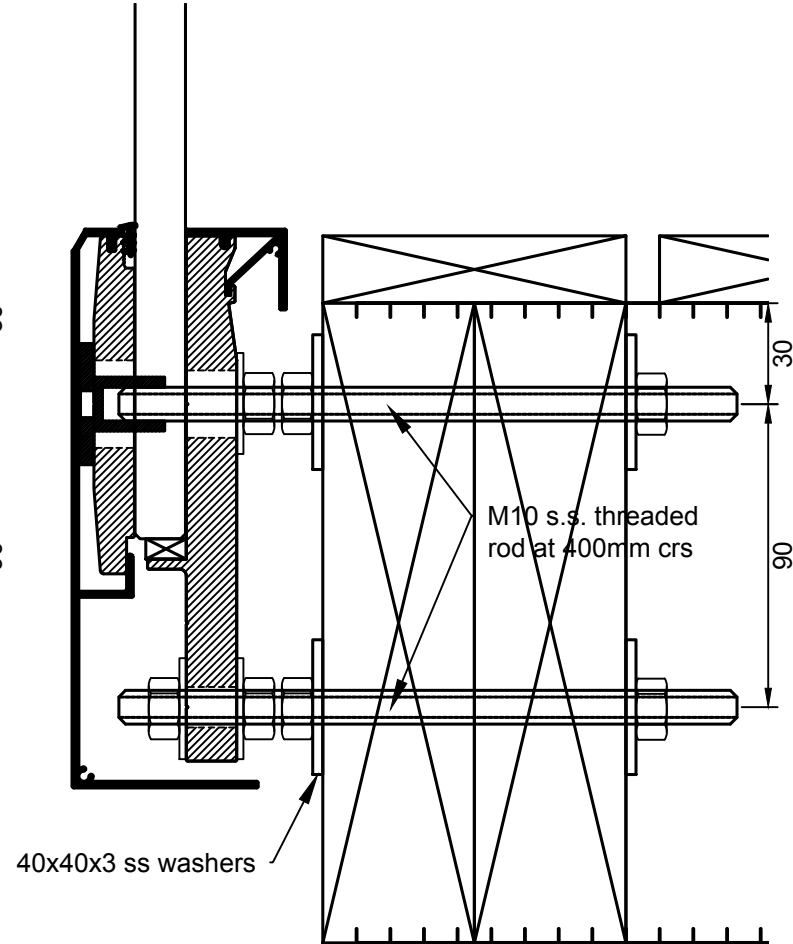


Wind zone	Maximum height, mm
Medium	1600
High	1450
Very high	1400
Extra high	1300

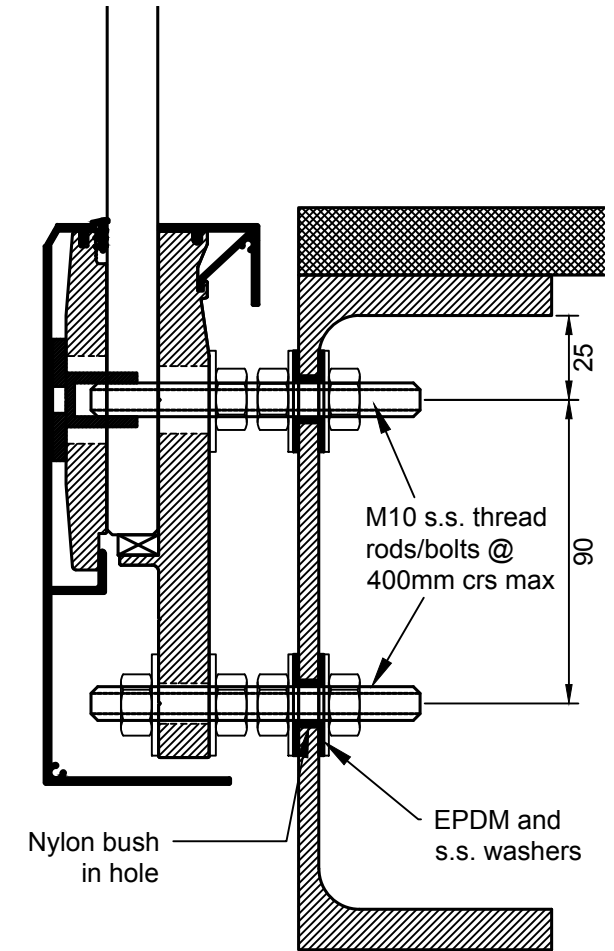
NZ PATENT 551096  
AU PATENT 2007231735



FIXING DETAIL A



FIXING DETAIL B



FIXING DETAIL C