

NOTES:

1. This proprietary pool barrier complies with New Zealand Building Code Compliance Documents B1 Structure, F2 Hazardous Building Materials and F9/AS1, subject to:

- all products meeting the required performance specification
- site installation carried out in accordance with intent of this drawing

2. Based on 330 N point load from NZS 8500:2006 and a height of 1200mm, Eurobrace mini post spacings for wind zones are provided in the table below.

3. Viridian glass options are:

- a. 12mm toughened safety glass
- b. 13.52mm toughened SentryGlas laminated safety glass

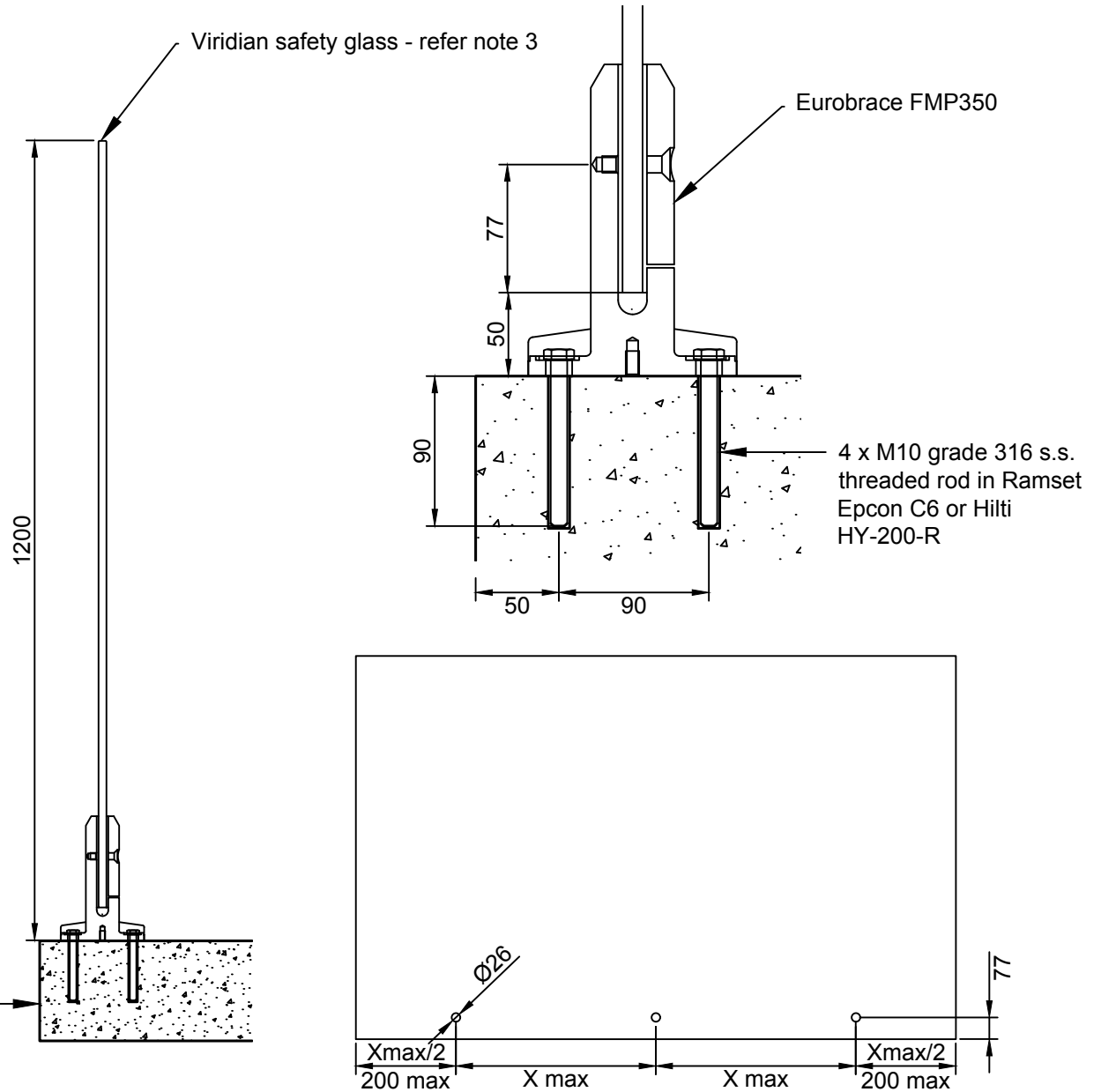
Minimum width of each glass pane is 1000 mm unless connected by interlinking rail or gap clamps.

4. Concrete design is the responsibility of others.

5. **Do not use this design if the pool barrier protects a fall of 1 metre or more. Please contact Euroglass for specific design.**

Wind Zone and Maximum Spacing of Eurobrace FMP250	
Wind zone	X max
Low 0.72 kPa	700
Medium 0.96 kPa	500
High 1.36 kPa	380
Very high 1.76 kPa	300

Concrete design by others.
Refer note 4.



A division of Viridian Glass Ltd Partnership

POOL BARRIER / WIND BREAK WITH FMP MINI POSTS

date 30-10-17

drawing no

scale 1:10, 1:4

EBPF-1d

NOTES:

1. This proprietary pool barrier complies with New Zealand Building Code Compliance Documents B1 Structure, F2 Hazardous Building Materials and F9/AS1, subject to:

- all products meeting the required performance specification
- site installation carried out in accordance with intent of this drawing

2. Based on 330 N point load from NZS 8500:2006 and a height of 1200mm, Eurobrace mini post spacings for wind zones are provided in the table below.

3. Viridian glass options are:

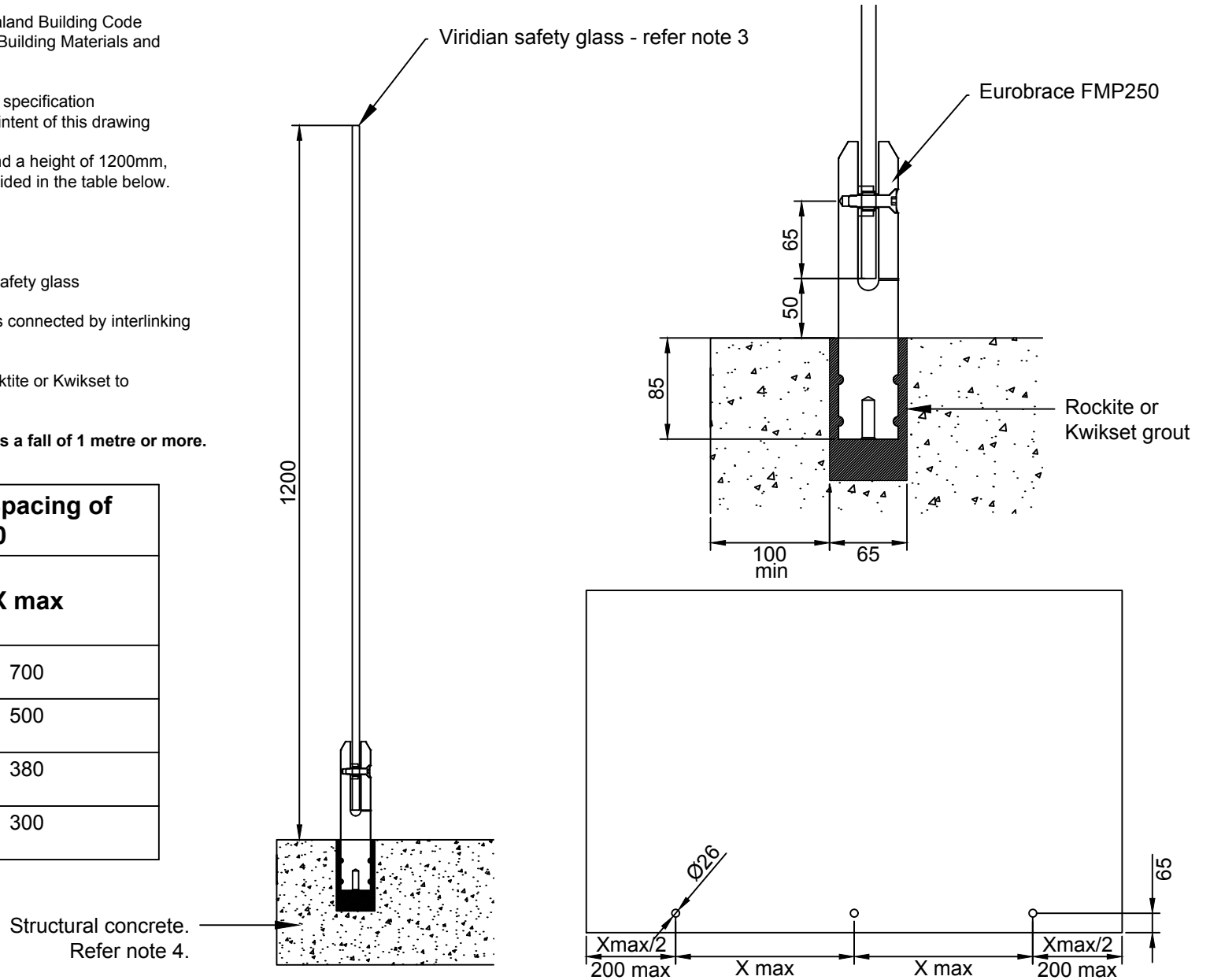
- a. 12mm toughened safety glass
- b. 13.52mm toughened SentryGlas laminated safety glass

Minimum width of each glass pane is 1000 mm unless connected by interlinking rail or gap clamps.

4. Concrete design is the responsibility of others. Rocktite or Kwikset to manufacturer's instructions.

5. **Do not use this design if the pool barrier protects a fall of 1 metre or more. Please contact Euroglass for specific design.**

Wind Zone and Maximum Spacing of Eurobrace FMP250	
Wind zone	X max
Low 0.72 kPa	700
Medium 0.96 kPa	500
High 1.36 kPa	380
Very high 1.76 kPa	300



A division of Viridian Glass Ltd Partnership

POOL BARRIER / WIND BREAK WITH FMP MINI POSTS

date
1-5-17

scale
1:10, 1:4

drawing no

EBPF-2c

NOTES:

1. This proprietary pool barrier complies with New Zealand Building Code Compliance Documents B1 Structure, F2 Hazardous Building Materials and F9/AS1, subject to:

- all products meeting the required performance specification
- site installation carried out in accordance with intent of this drawing

2. Based on 330 N point load from NZS 8500:2006 and a height of 1200mm, Eurobrace mini post spacings for wind zones are provided in the table below.

3. Viridian glass options are:

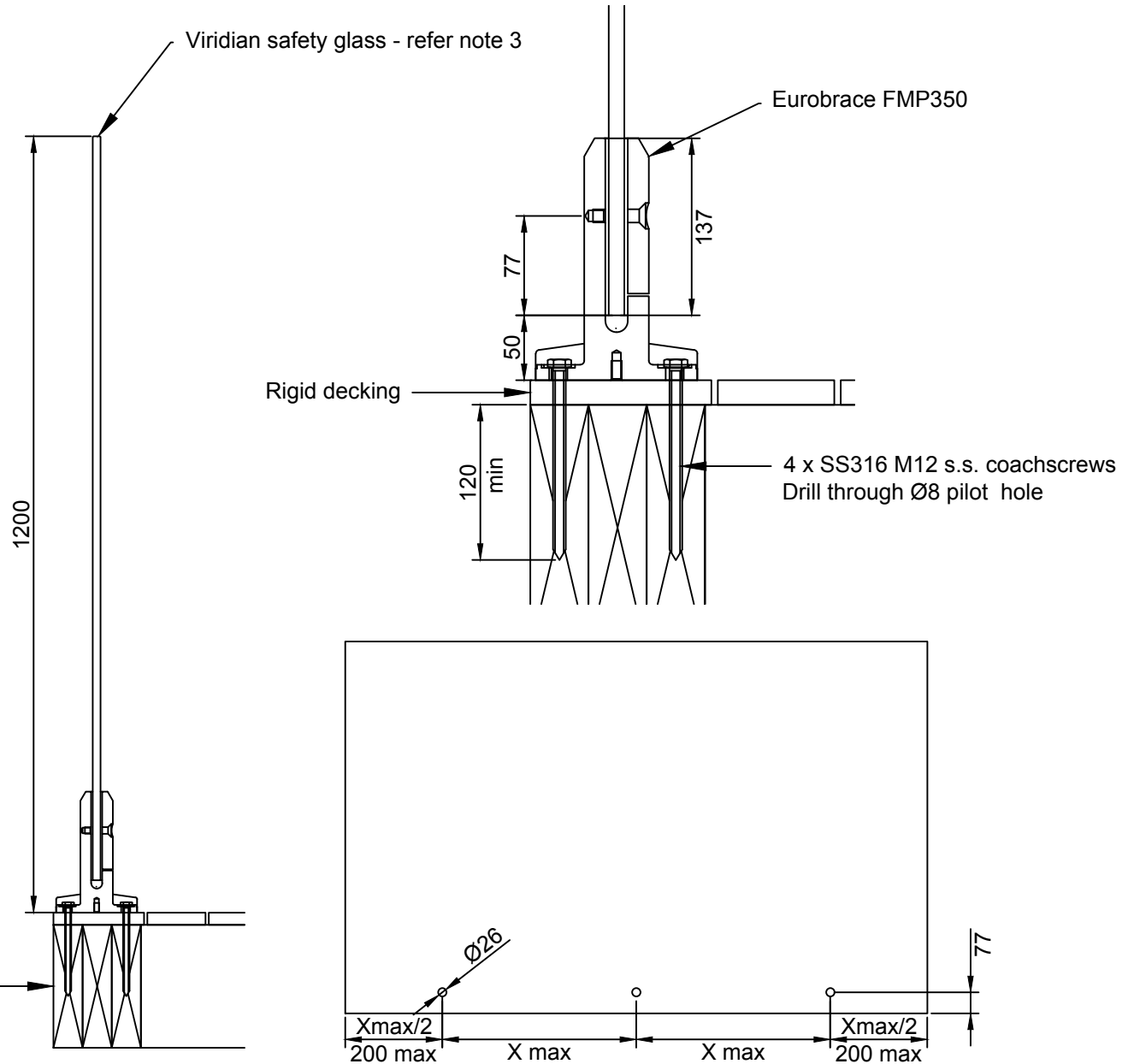
- a. 12mm toughened safety glass
- b. 13.52mm toughened SentryGlas laminated safety glass

Minimum width of each glass pane is 1000 mm unless connected by interlinking rail or gap clamps.

4. Timber design is the responsibility of others.

5. **Do not use this design if the pool barrier protects a fall of 1 metre or more. Please contact Euroglass for specific design.**

Wind Zone and Maximum Spacing of Eurobrace FMP350	
Wind zone	X max
Low 0.72 kPa	700
Medium 0.96 kPa	500
High 1.36 Kpa	380
Very high 1.76 kPa	300



A division of Viridian Glass Ltd Partnership

POOL BARRIER / WIND BREAK WITH FMP MINI POSTS

date 30-10-17

scale 1:10, 1:4

drawing no

EBPF-3d