

NOTES:

1. This proprietary pool barrier complies with New Zealand Building Code Compliance Documents B1 Structure, F2 Hazardous Building Materials and F9/AS1, subject to:

- all products meeting the required performance specification
- site installation carried out in accordance with intent of this drawing

2. Based on 330 N point load from NZS 8500:2006, maximum heights and Euroanchor spacings for wind zones are provided in the table below.

3. Viridian safety glass options are:

- a. 12 mm toughened glass
- b. 13.52mm toughened SentryGlas laminated glass

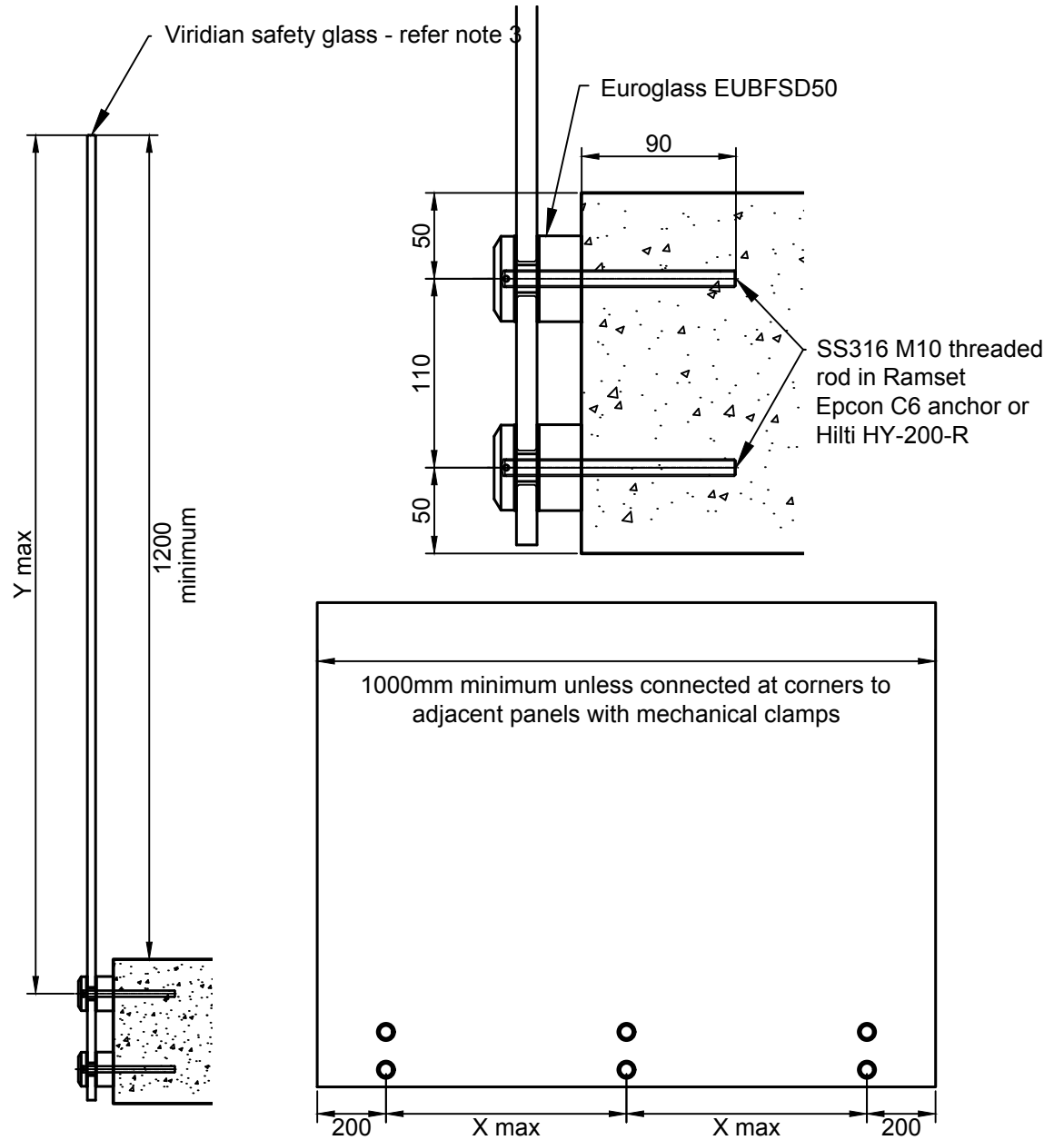
To make allowance for the consequences of failure required by clause B1.3.4. of the Building Code B1, glass option b should be selected.

3. The design of concrete, timber or steel support is the responsibility of others.

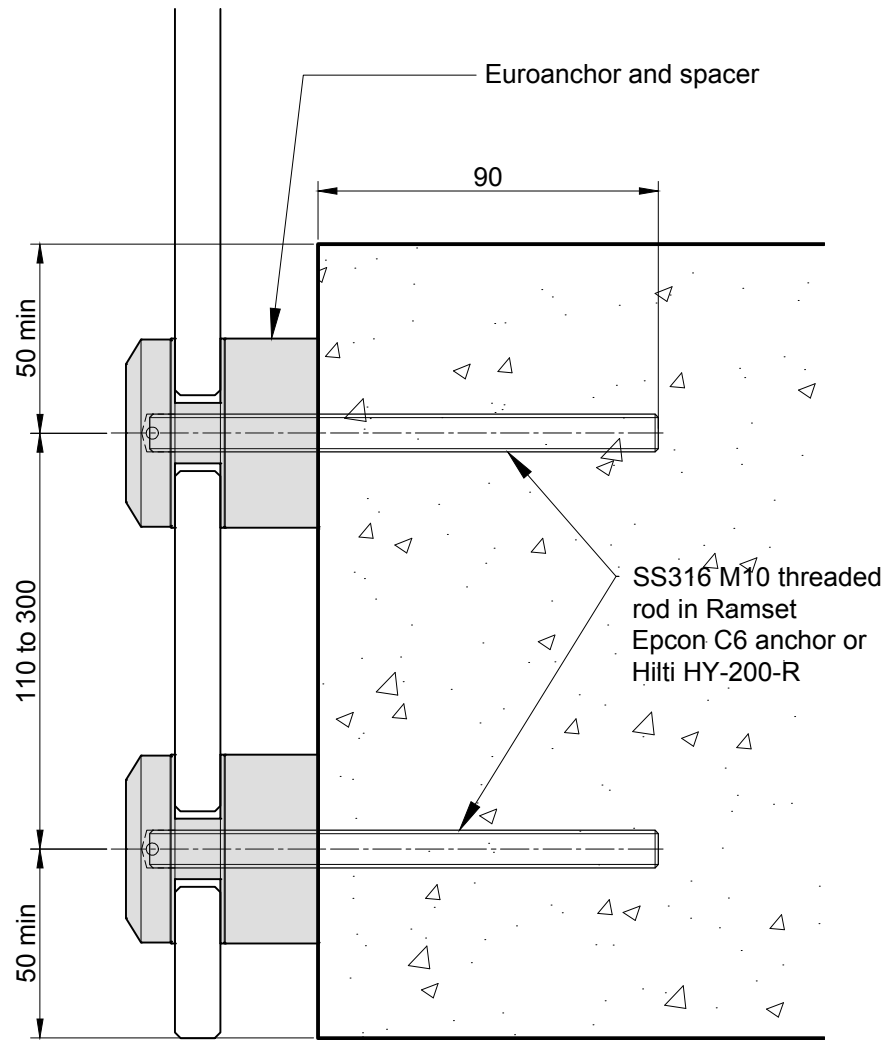
4. Do not use this design for pool fence protecting a fall of 1 metre or more.

Wind Zone and Maximum Spacing		
Wind zone	X max	Y max
Medium	600	1300
High	400	1250
Very high	400	1100 *

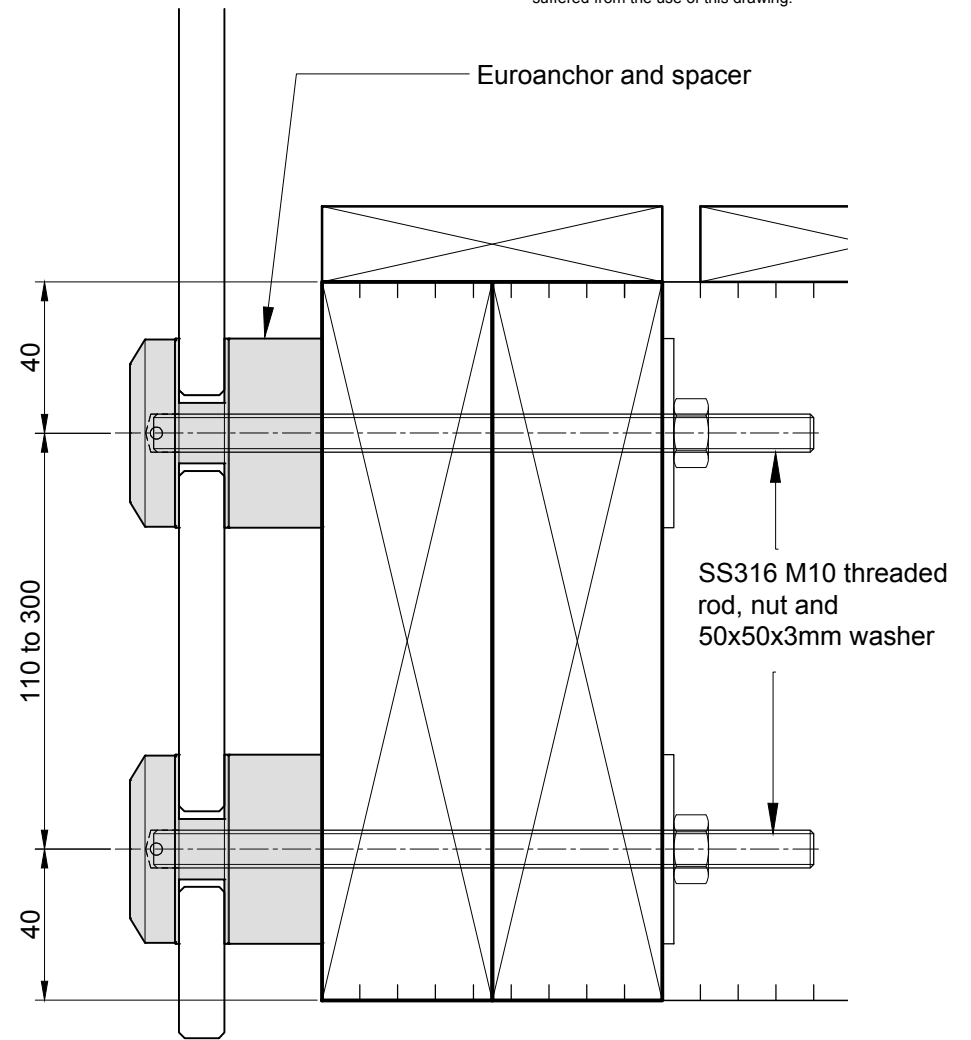
* Structural nibwall required. Fit fence to inside face.



This drawing is provided as a general guide only. Viridian Glass Ltd Partnership disclaim any responsibility for loss or damage suffered from the use of this drawing.

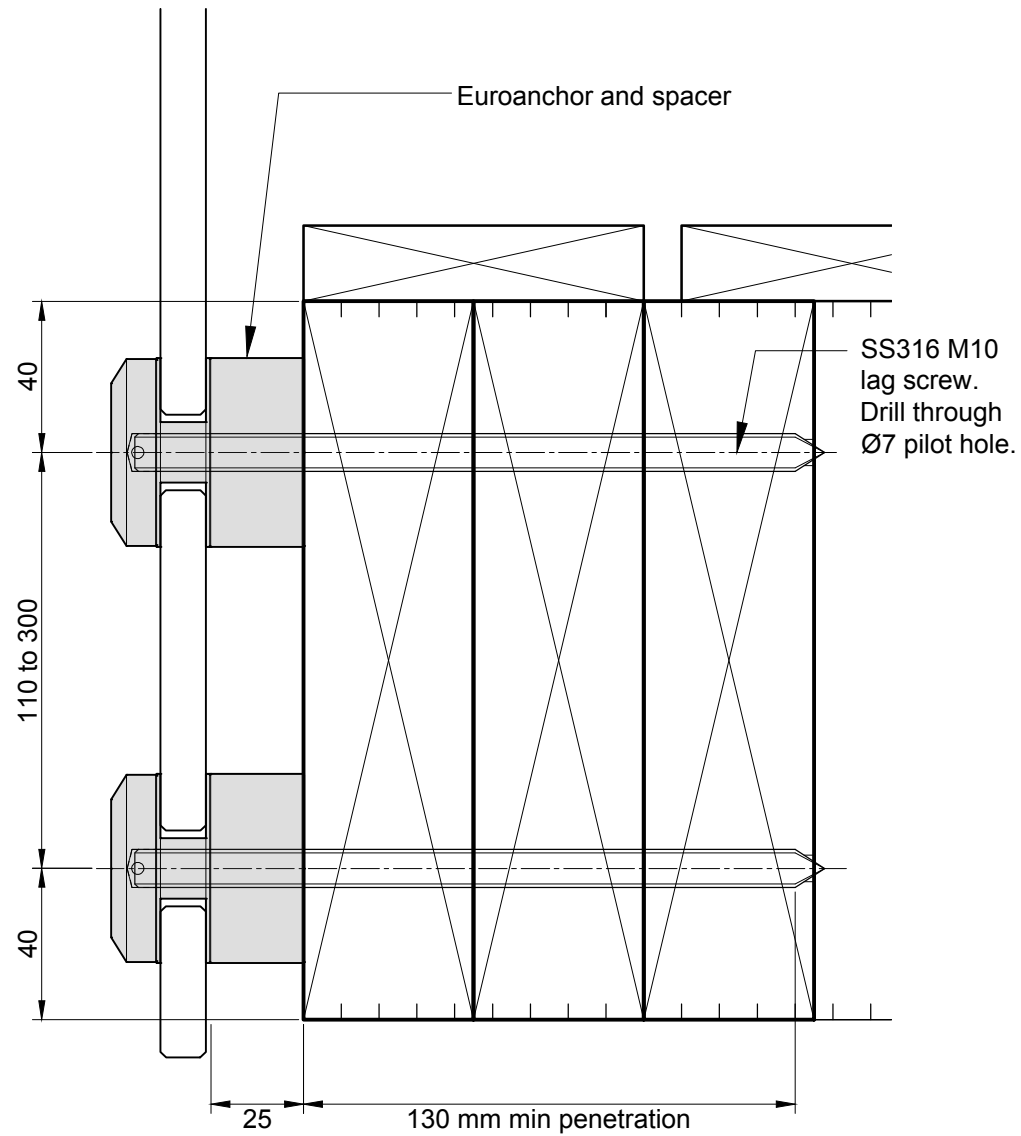


DETAIL A - CONCRETE



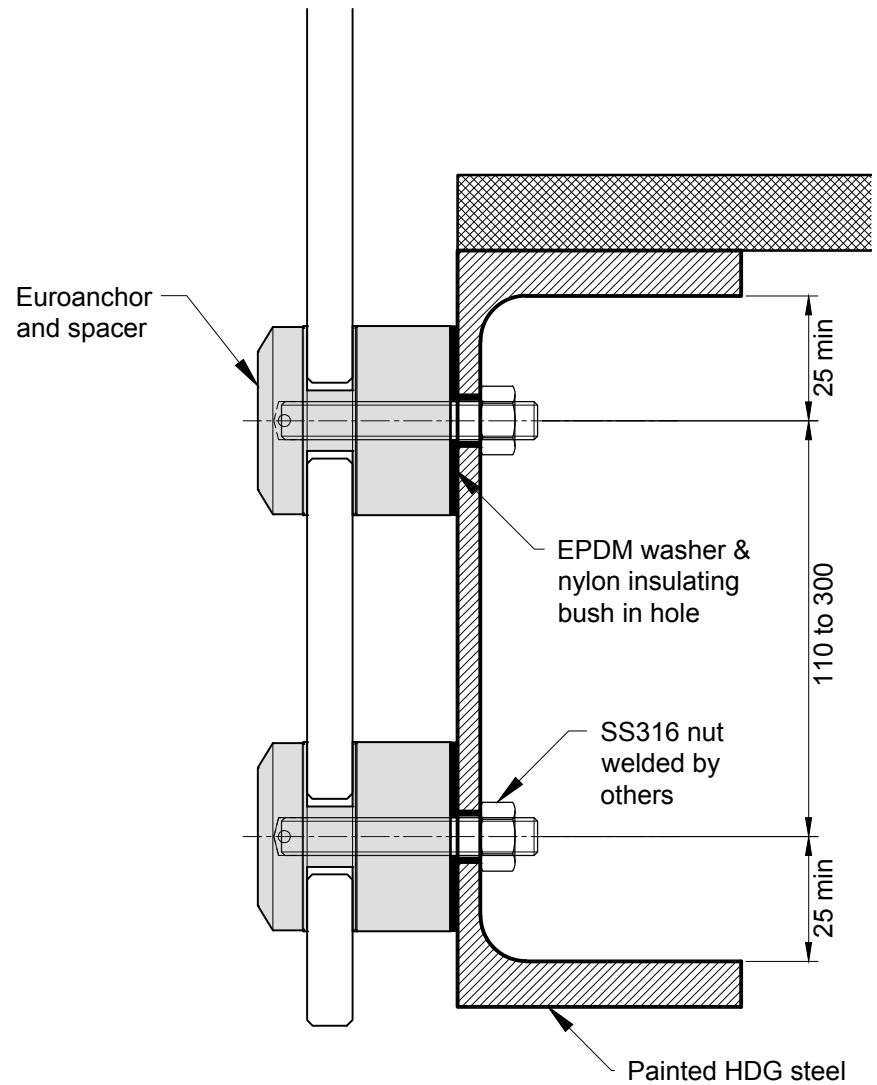
DETAIL B - SG 8 TIMBER

This drawing is provided as a general guide only. Viridian Glass Ltd Partnership disclaim any responsibility for loss or damage suffered from the use of this drawing.



DETAIL A - EXPOSED SG 8 TIMBER

This drawing is provided as a general guide only. Viridian Glass Ltd Partnership disclaim any responsibility for loss or damage suffered from the use of this drawing.



DETAIL A - STEEL - EXTERNAL