

IMPORTANT

These drawings are provided as a general guide and may be amended without prior notice. Please contact Euroglass for specific design.

NOTES:

1. This balustrade system complies with New Zealand Building Code Clauses B1 Structure, B1/AS1 Amendment 15, F2 Hazardous Building Materials and F4 Safety From Falling Third Edition, subject to:

- all products meeting the required performance specification
- site installation carried out in accordance with intent of this drawing
- minimum balustrade height of 1000mm from finished floor level

2. Based on residential occupancy A, A(other) or C3 of Table 3.3 AS/NZS 1170.1 and very high wind zone or less (1.76 kPa), maximum height and Pradis clamp spacings are:

- Maximum height 1100mm

- Pradis clamps @ 800mm crs for steel, concrete and bolt through with timber
- Pradis clamps @ 300mm crs for timber with lagscrew

3. The design of the concrete, steel or timber support for the balustrade is the responsibility of others.

4. A handrail of 32-50mm diameter is required for stairs and ramps exceeding 1:20 slope. Refer NZBC D1/AS1.

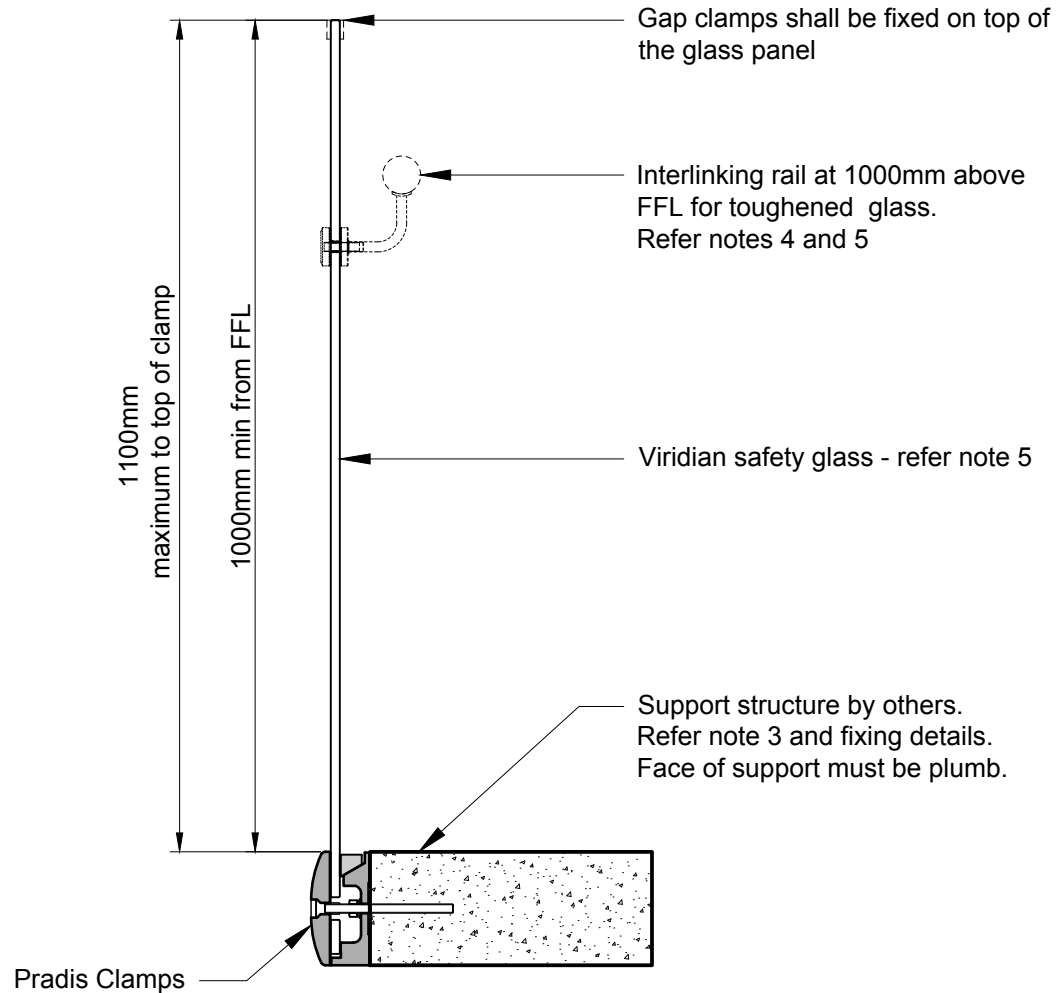
5. Viridian glass options according to 22.4.3 of NZS 4223.3:2016 are:

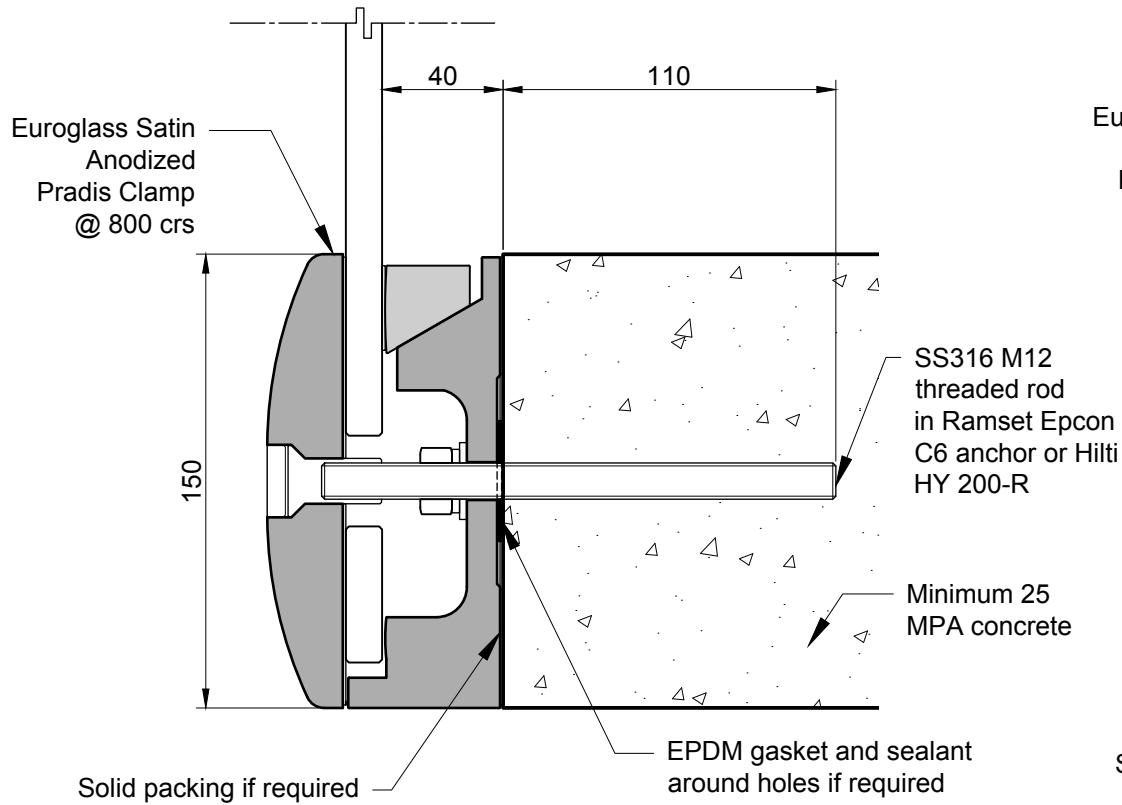
- a. 12mm toughened safety glass with interlinking rail
- b. 13.52mm toughened SentryGlas laminated safety glass with gap clamps.

6. Interlinking rail and gap clamps must be connected to each glass pane or the building.

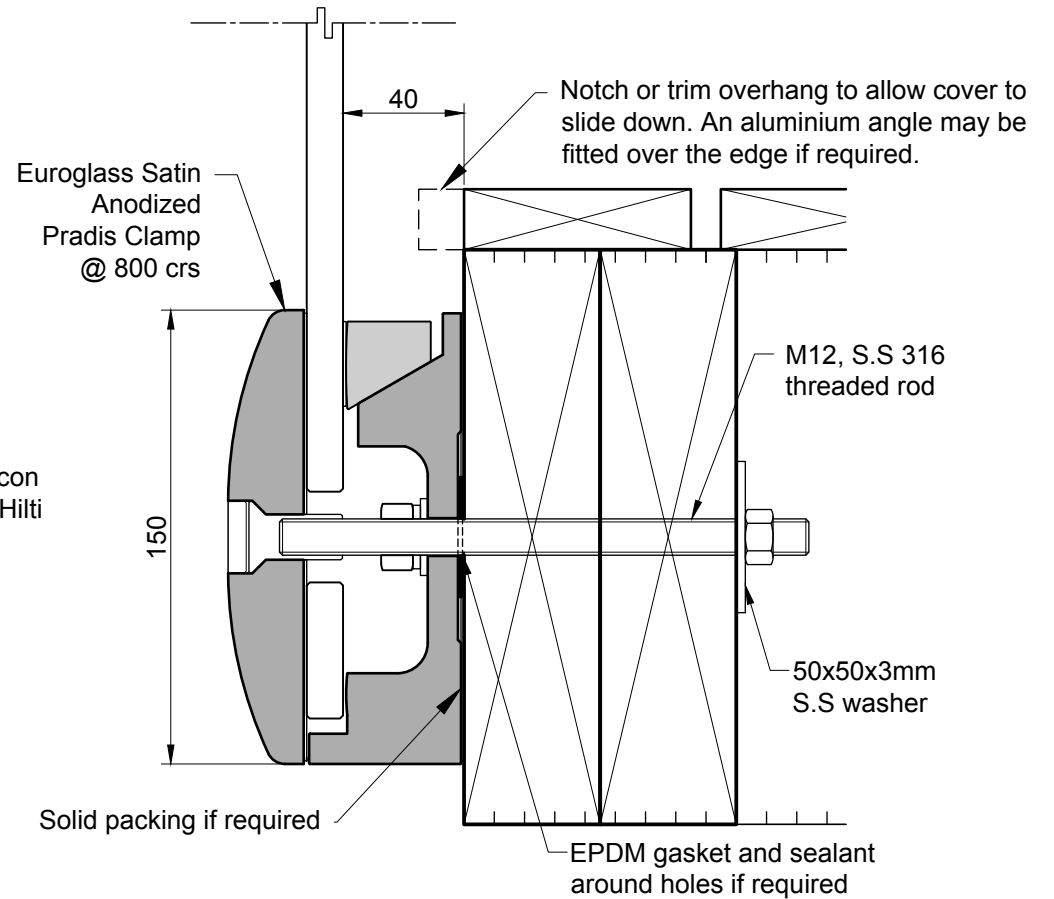
-Gap clamps shall be fixed on top of the glass panel.

7. Maximum distance from side edge of glass to Pradis - 200mm.

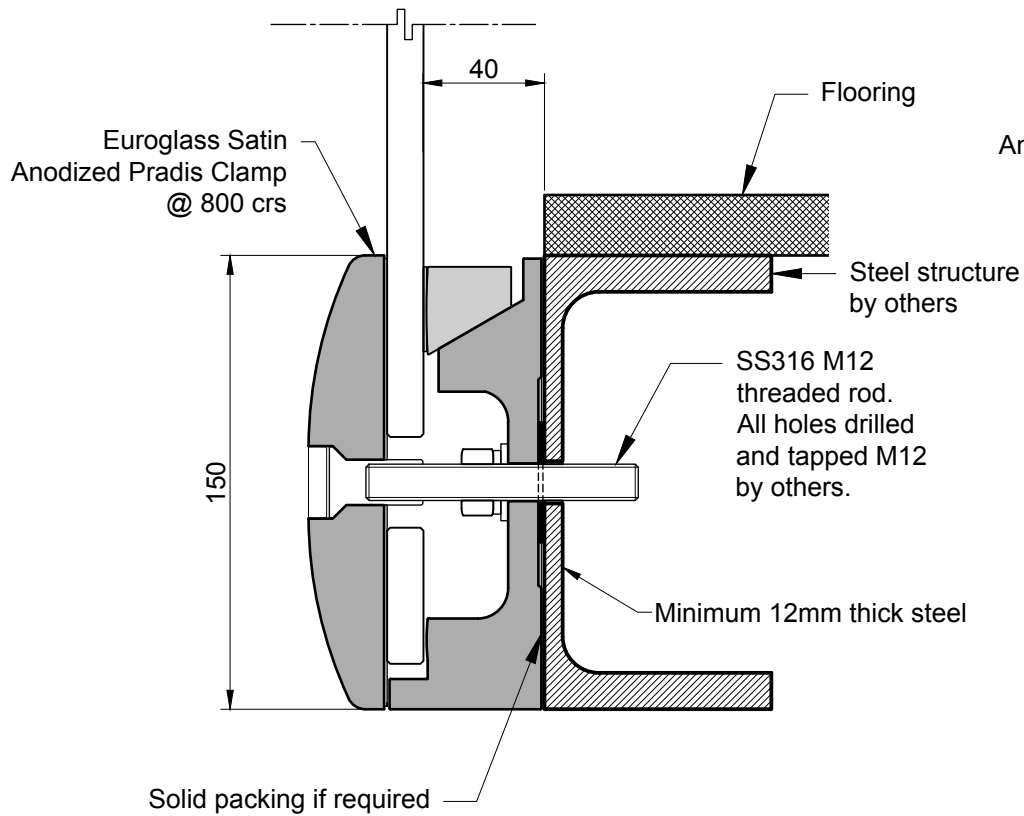




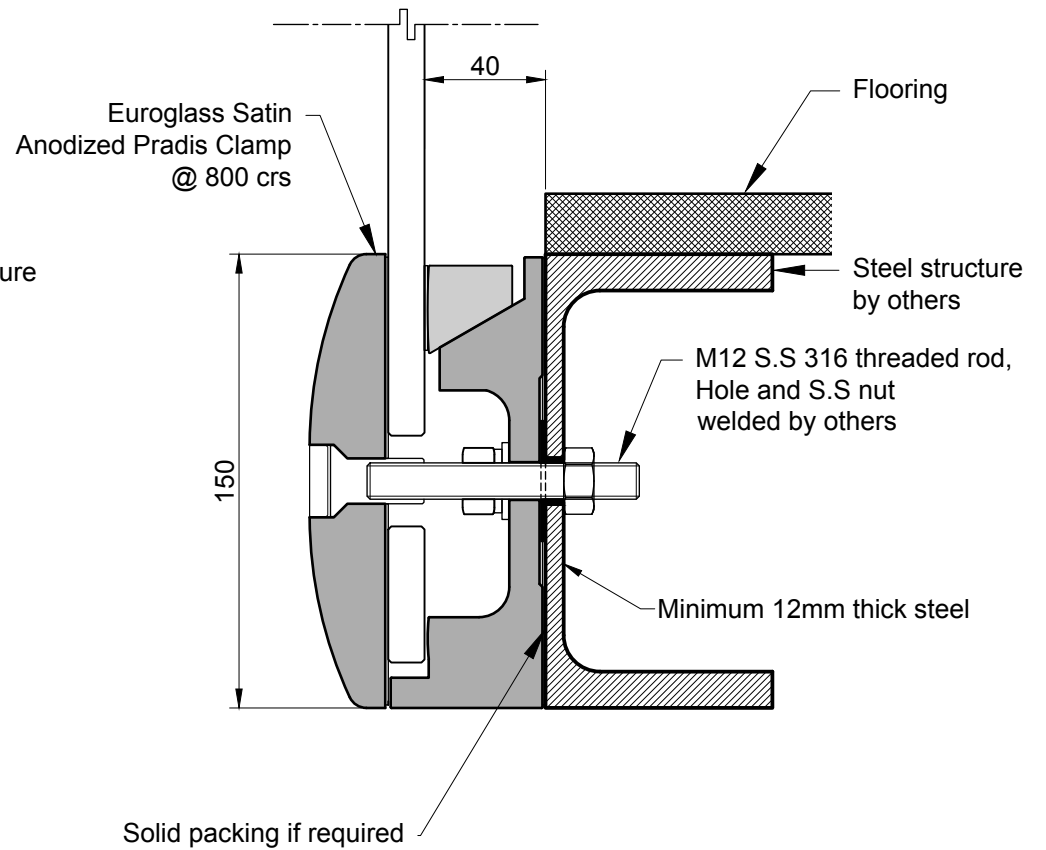
**FIXING DETAIL A
CONCRETE**



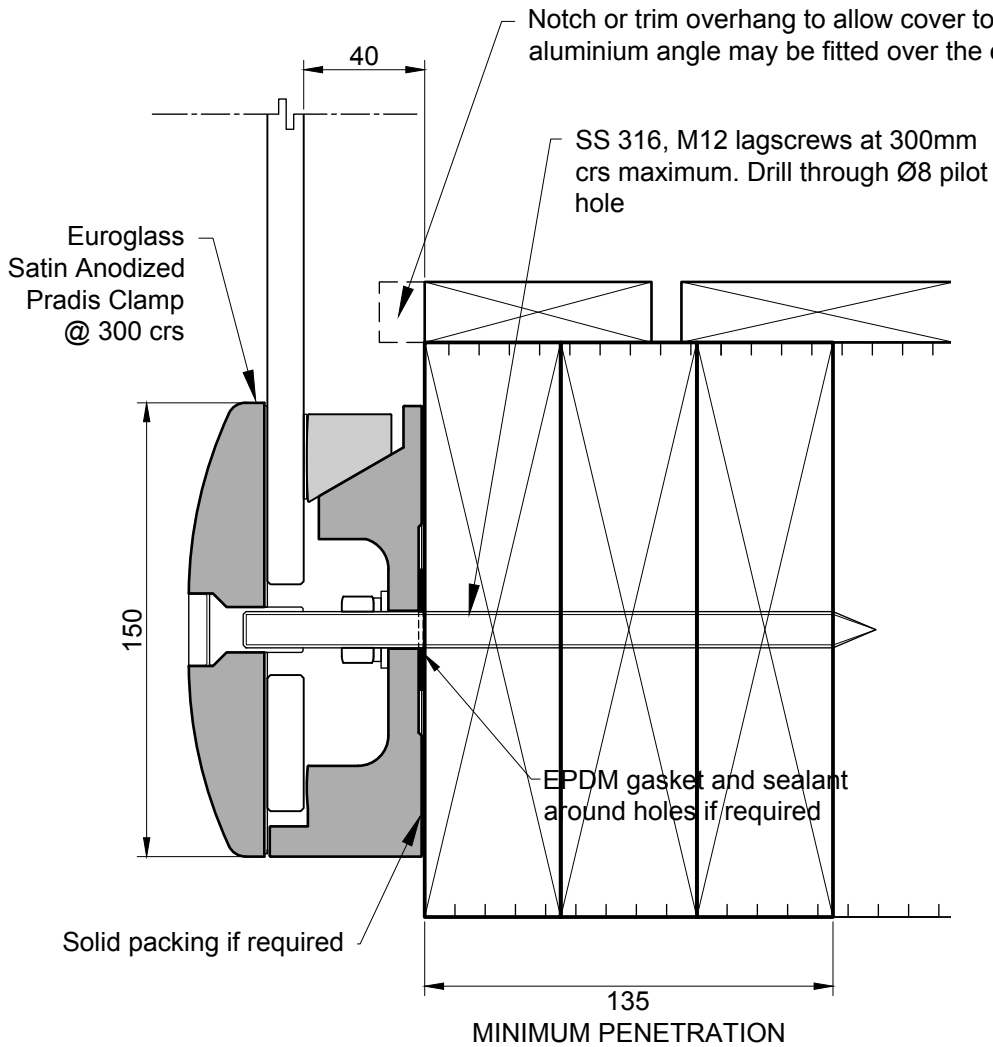
**FIXING DETAIL B
BOLT THROUGH SG8 TIMBER**



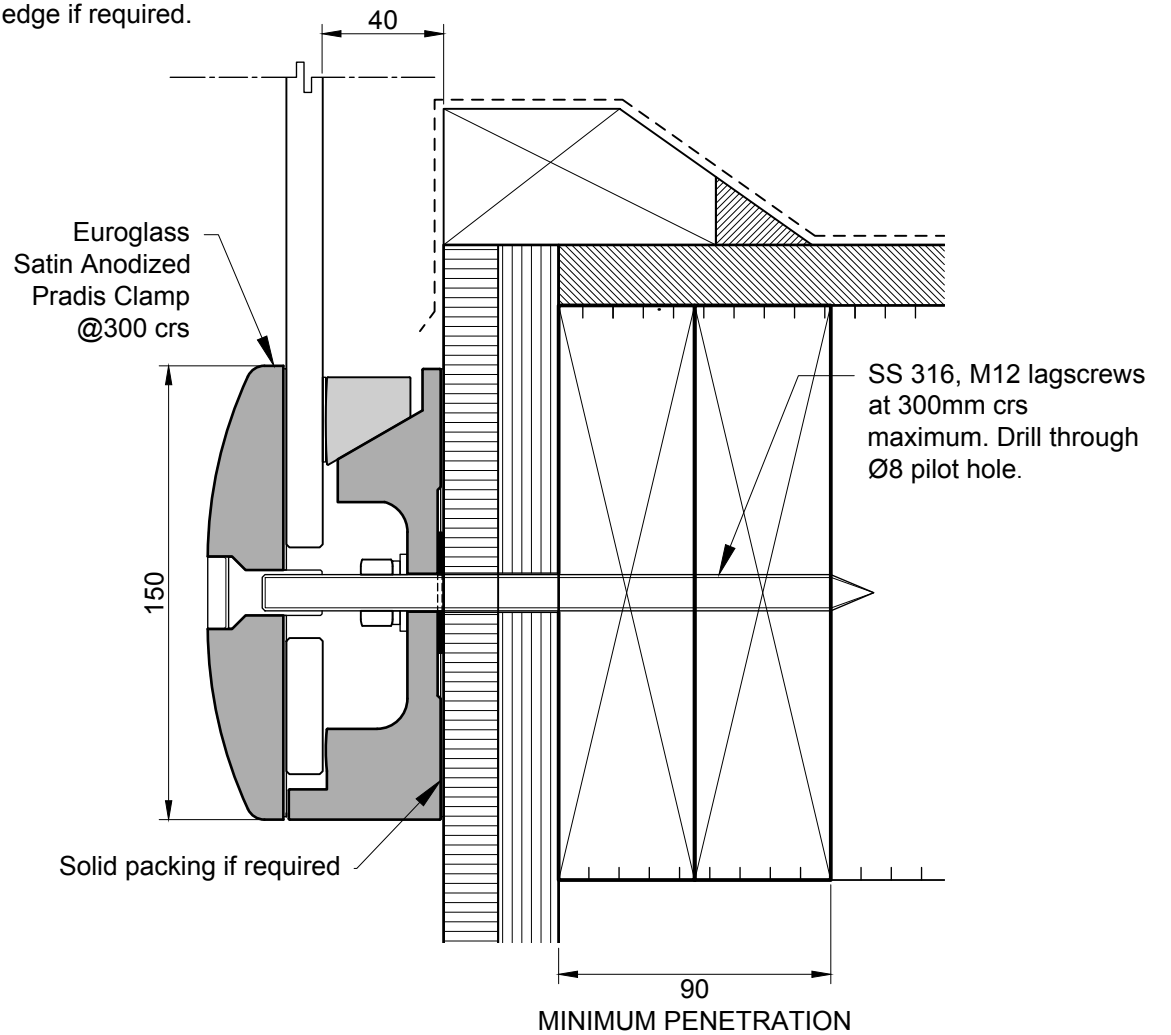
FIXING DETAIL A
FOR INTERNAL INSTALLATION ONLY



FIXING DETAIL B



FIXING DETAIL A
WET EXPOSED SG8 TIMBER



FIXING DETAIL B
DRY CONCEALED SG8 TIMBER