

NOTES:

1. This balustrade system complies with New Zealand Building Code Clauses B1 Structure, B1/AS1 Amendment 15, F2 Hazardous Building Materials and F4 Safety From Falling Third Edition, subject to:

- all products meeting the required performance specification
- site installation carried out in accordance with intent of this drawing
- minimum balustrade height of 1100mm from finished floor level

2. Based on commercial occupancies B, E and C3 of Table 3.3 AS/NZS 1170.1 and extra high wind zone or less, maximum height and clamp spacing are:

- Maximum height 1200mm
- Pradis Clamps @ 800mm crs

3. The design of the concrete, steel or timber support for the balustrade is the responsibility of others.

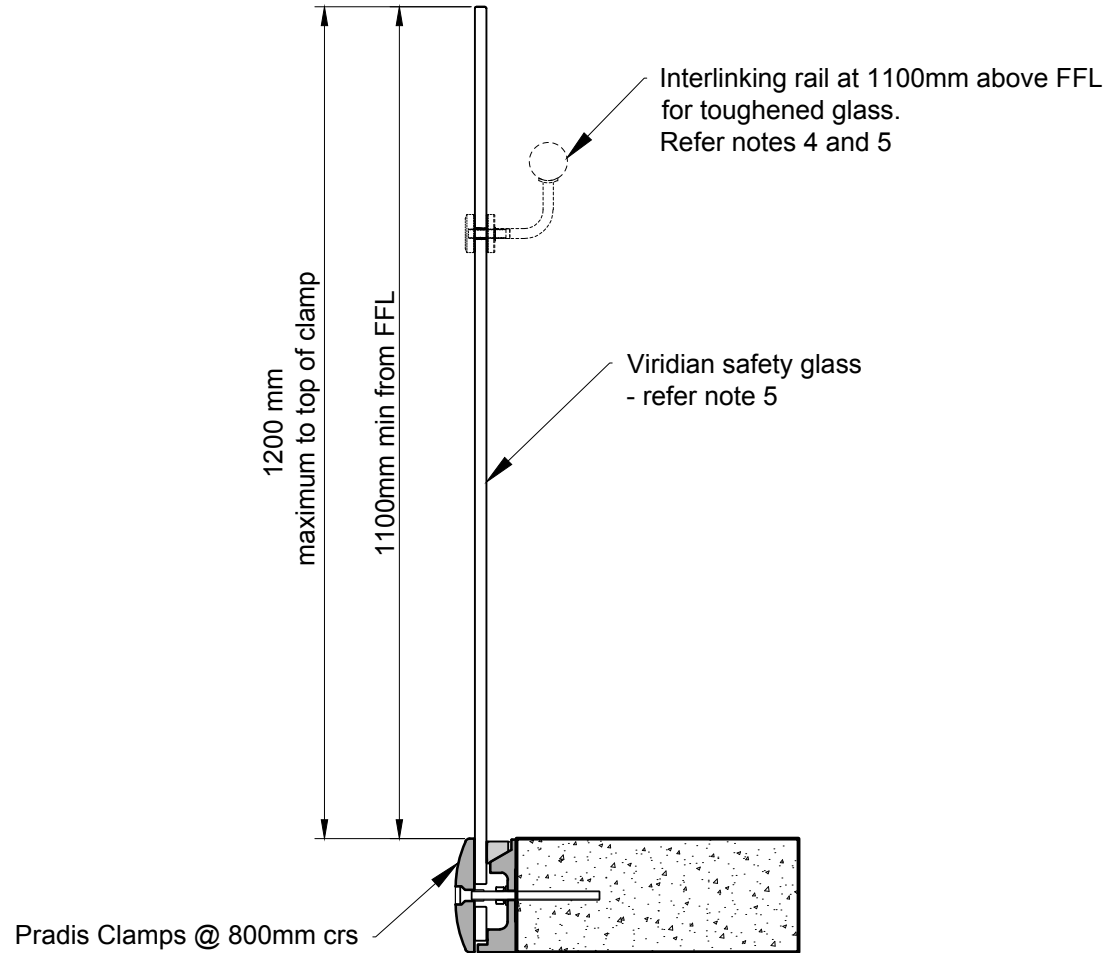
4. A handrail of 32-50mm diameter is required for stairs and ramps exceeding 1:20 slope. Refer NZBC D1/AS1.

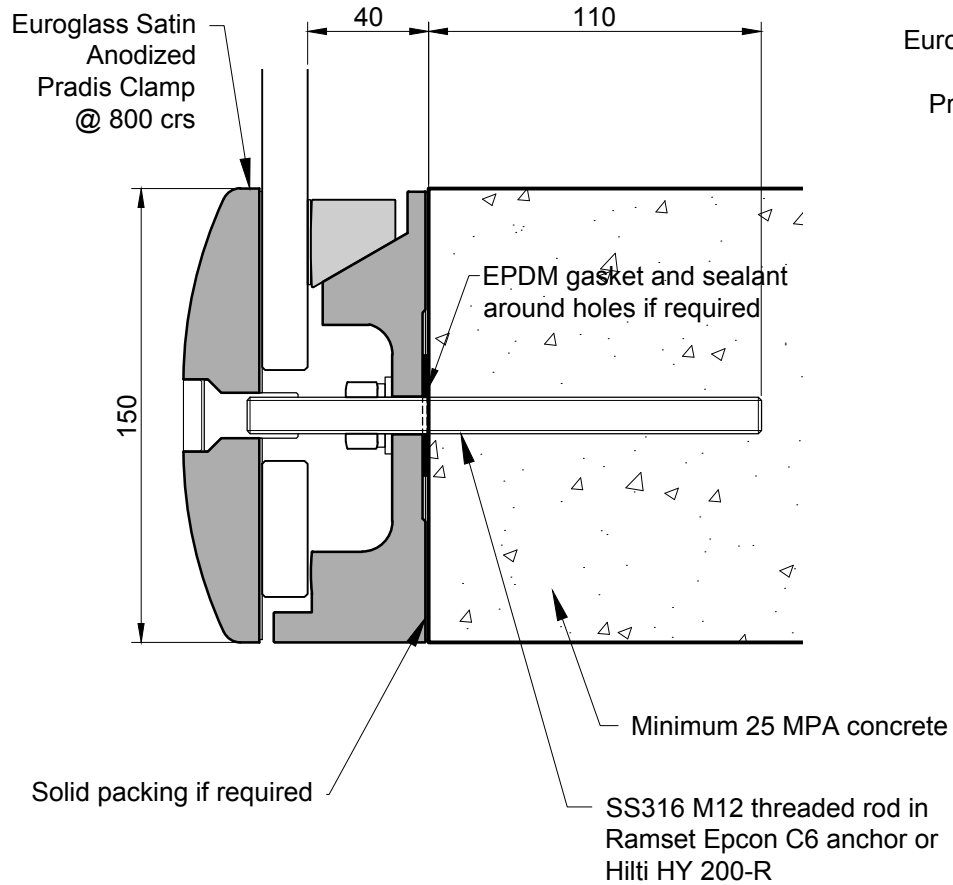
5. Viridian safety glass options according to NZS 4223.3:2016 are:

- a. 15mm toughened glass with interlinking rail
- b. 17.52mm toughened SentryGlas laminated glass with a minimum pane width of 1200mm

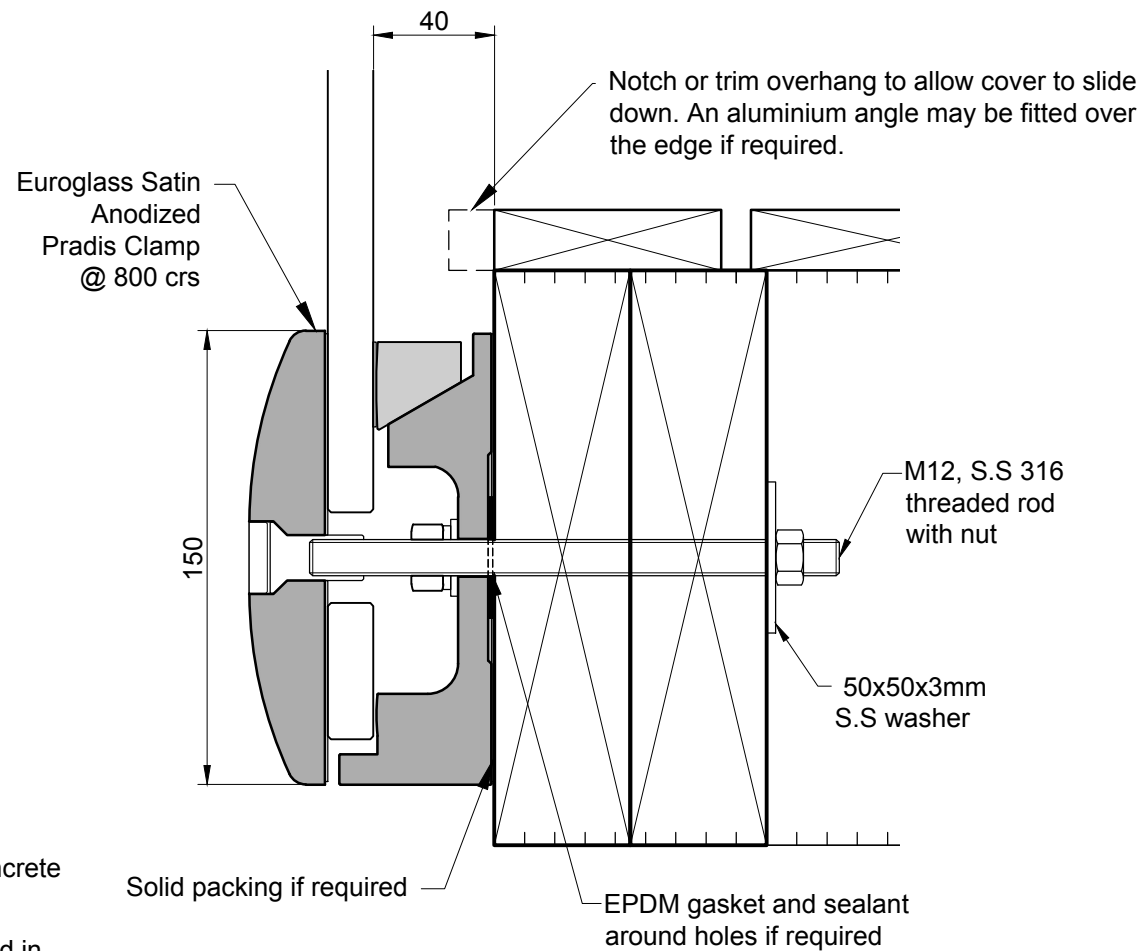
Interlinking rail must be connected to each glass pane or the building.

6. Maximum distance from side edge of glass to Pradis clamp - 200mm.

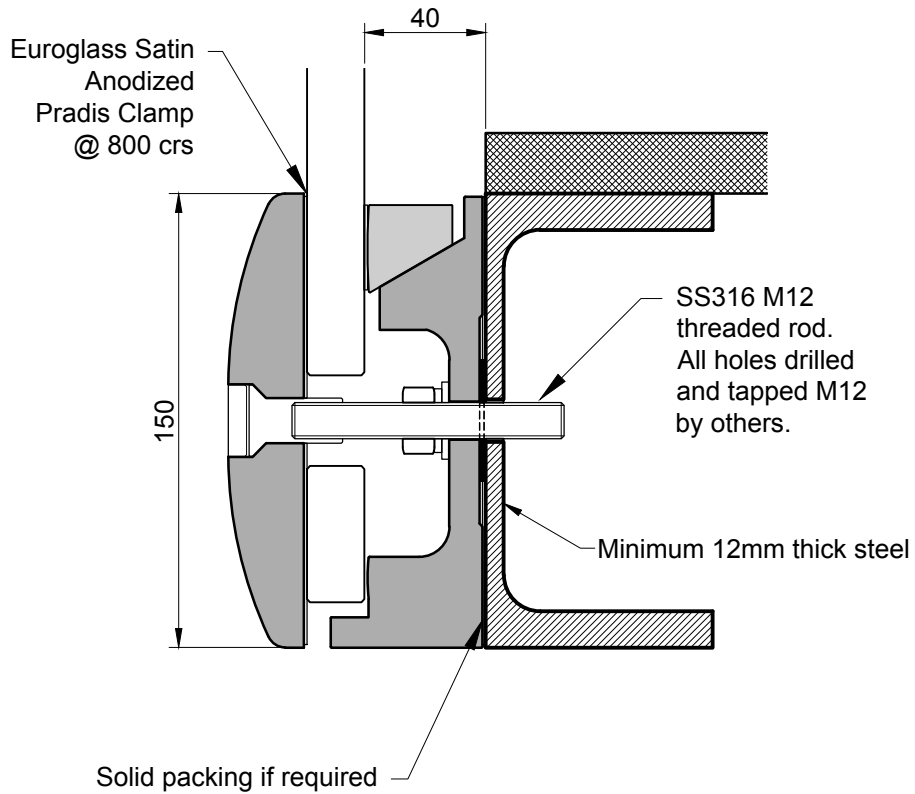




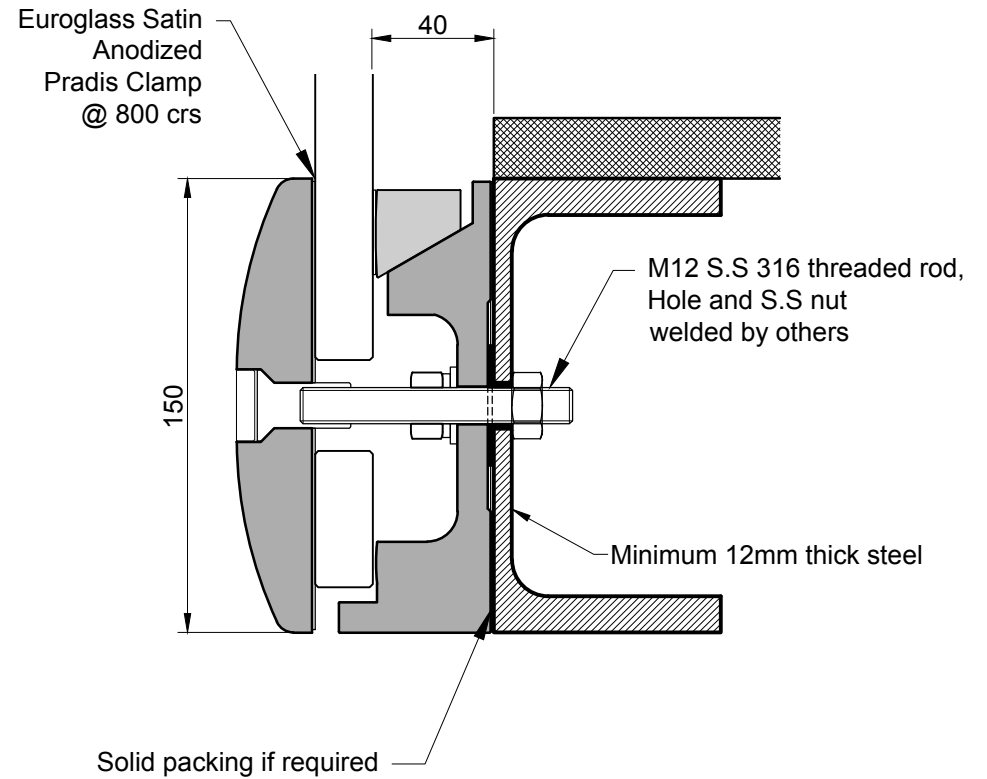
**FIXING DETAIL A
CONCRETE**



**FIXING DETAIL B
BOLT TROUGH SG8 TIMBER**



**FIXING DETAIL A
FOR INTERNAL INSTALLATION ONLY**



FIXING DETAIL B