

NOTES:

1. This balustrade system complies with New Zealand Building Code Clauses B1 Structure, B1/AS1 Amendment 15, F2 Hazardous Building Materials and F4 Safety From Falling Third Edition, subject to:

- all products meeting the required performance specification
- site installation carried out in accordance with intent of this drawing
- minimum balustrade height of 1100mm from finished floor level

2. Based on commercial occupancies C5 of Table 3.3 AS/NZS 1170.1 and extra high wind zone (2.13 kPa) or less, maximum height and clamp spacing are:

- Maximum height 1100mm from top of Pradis clamps
- Pradis clamps @ 300mm crs for steel and concrete.

3. The design of the concrete or steel support for the balustrade is the responsibility of others.

4. A handrail of 32-50mm diameter is required for stairs and ramps exceeding 1:20 slope. Refer NZBC D1/AS1.

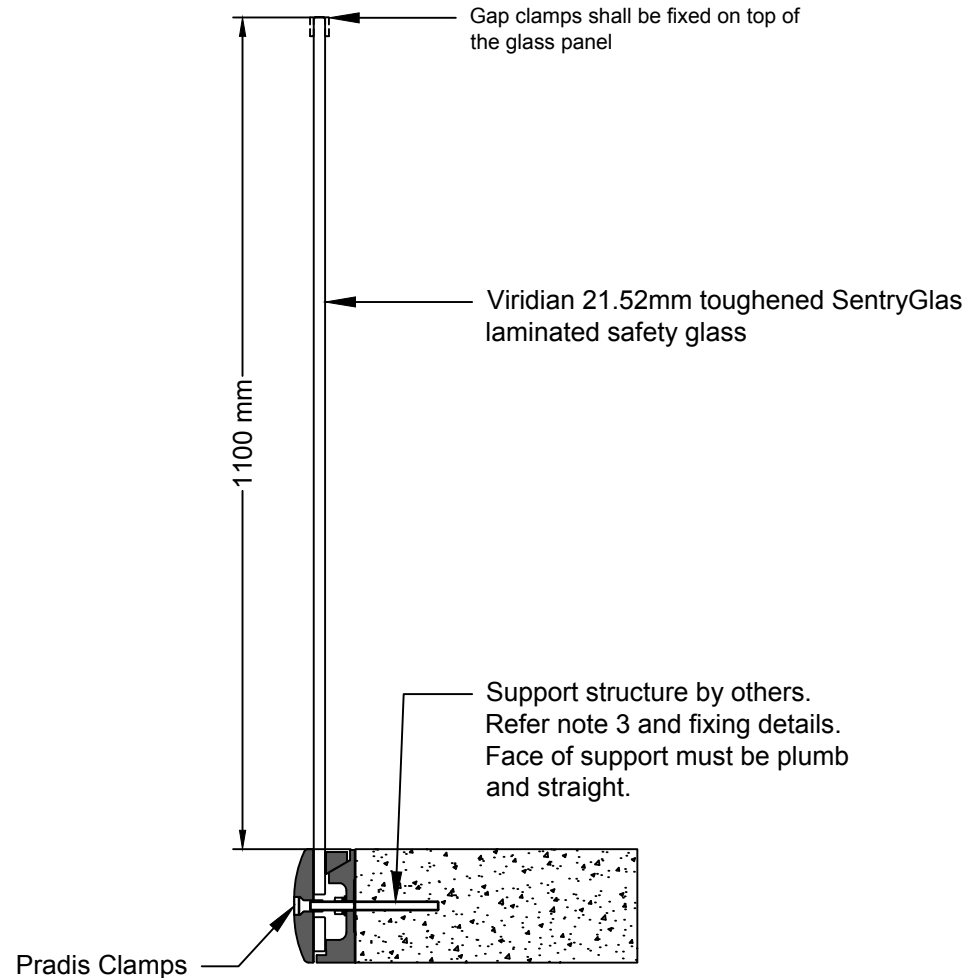
5. Viridian 21.52mm toughened SentryGlas laminated glass connected by gap clamps (SentryGlas is a stiff interlayer that complies with 22.4.3 (c) of NZS 4223.3:2016).

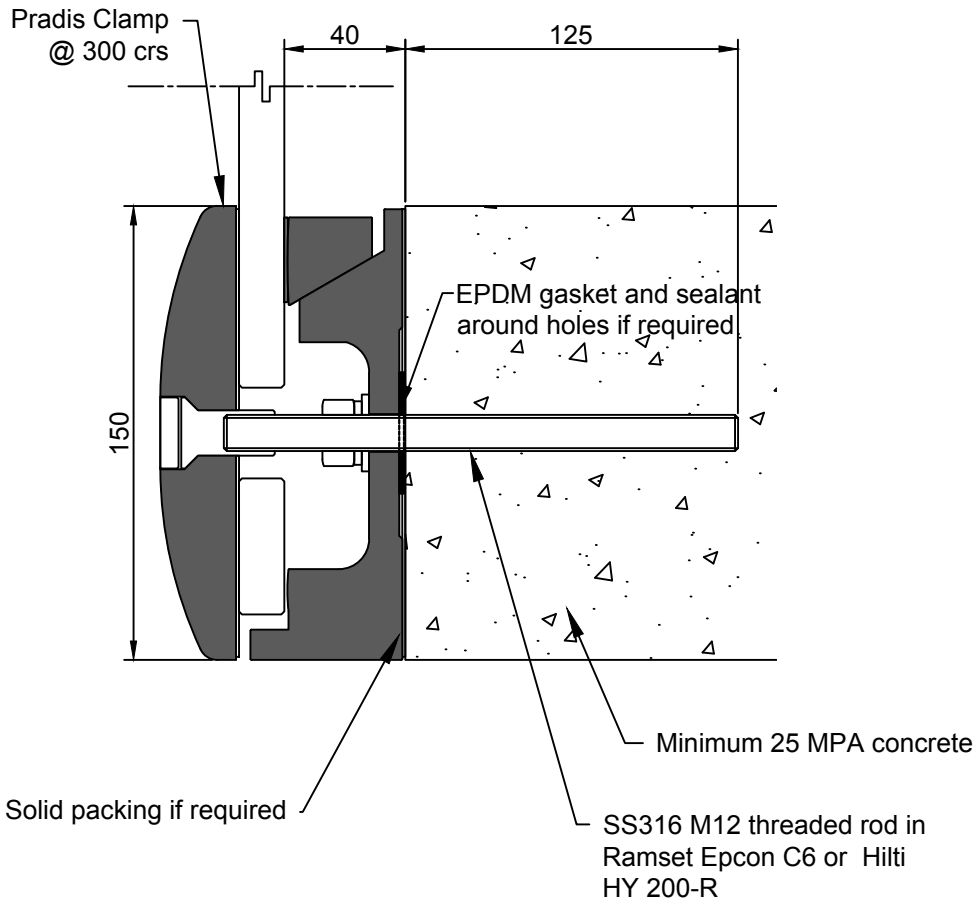
-Gap clamps shall be fixed on top of the glass panel.

6. Maximum distance from edge of glass to pradis clamp - 150mm.

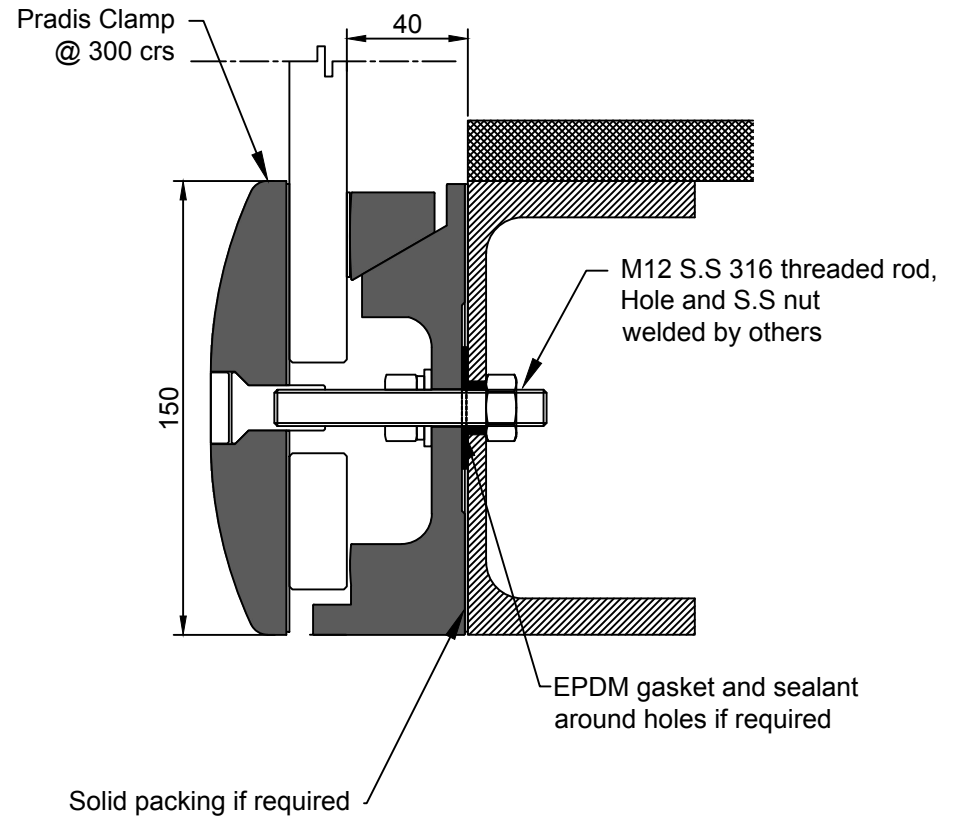
IMPORTANT

These drawings are provided as a general guide and may be amended without prior notice. Please contact Euroglass for specific design.





FIXING DETAIL A - CONCRETE



FIXING DETAIL B - STEEL