

**NOTES:**

1. This balustrade system complies with New Zealand Building Code Clauses B1 Structure, B1/AS1 Amendment 15, F2 Hazardous Building Materials and F4 Safety From Falling Third Edition, subject to:

- all products meeting the required performance specification
- site installation carried out in accordance with intent of this drawing
- minimum balustrade height of 1000mm from finished floor level

2. Based on commercial occupancies C1/C2 & D of Table 3.3 AS/NZS 1170.1 and extra high wind zone (2.13 kPa) or less, maximum height and clamp spacing are:

- Maximum height 1100mm
- Pradis clamps @ 400mm crs for steel, concrete and bolt through with timber

3. The design of the concrete, steel or timber support for the balustrade is the responsibility of others.

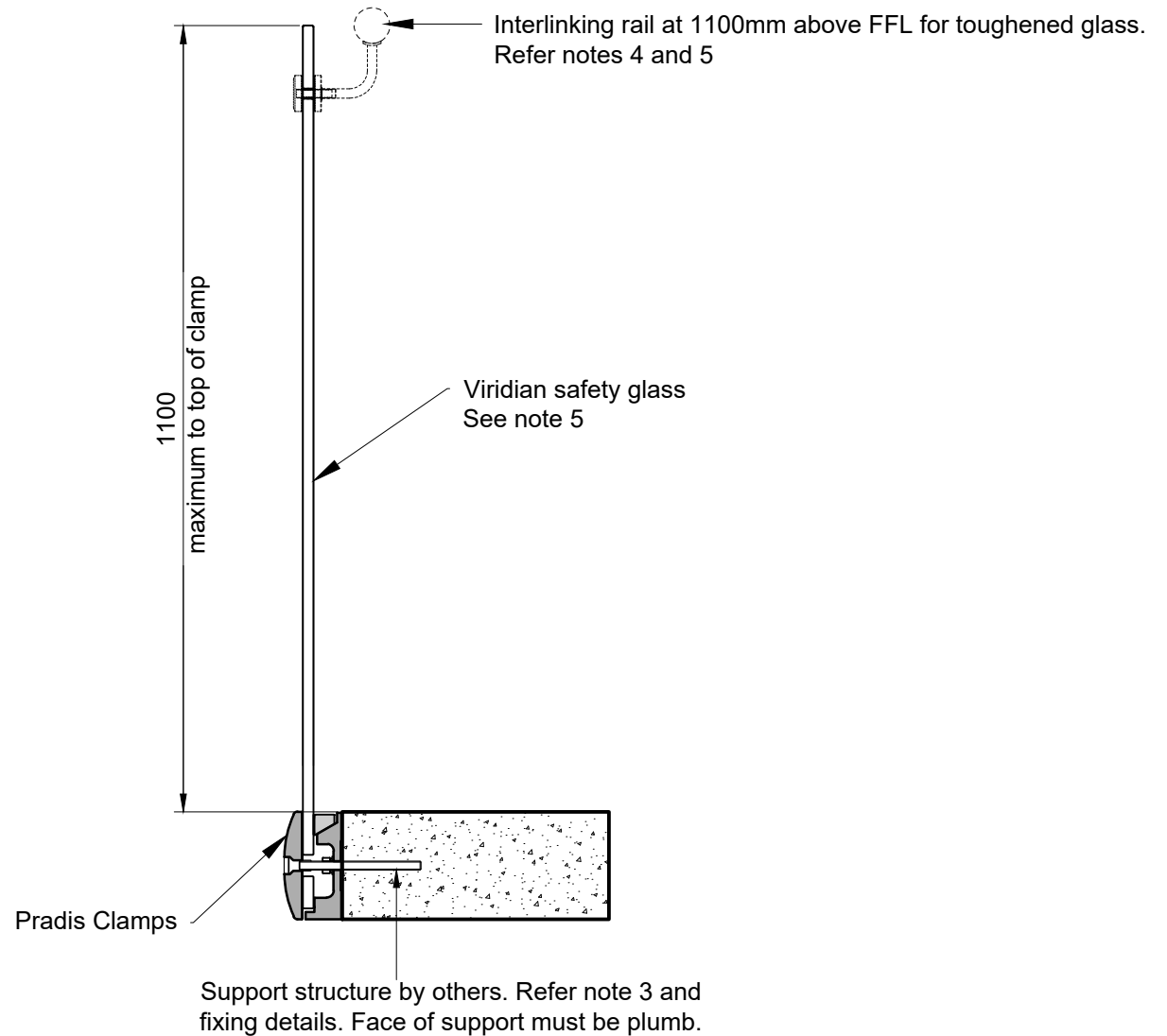
4. A handrail of 32-50mm diameter is required for stairs and ramps exceeding 1:20 slope. Refer NZBC D1/AS1.

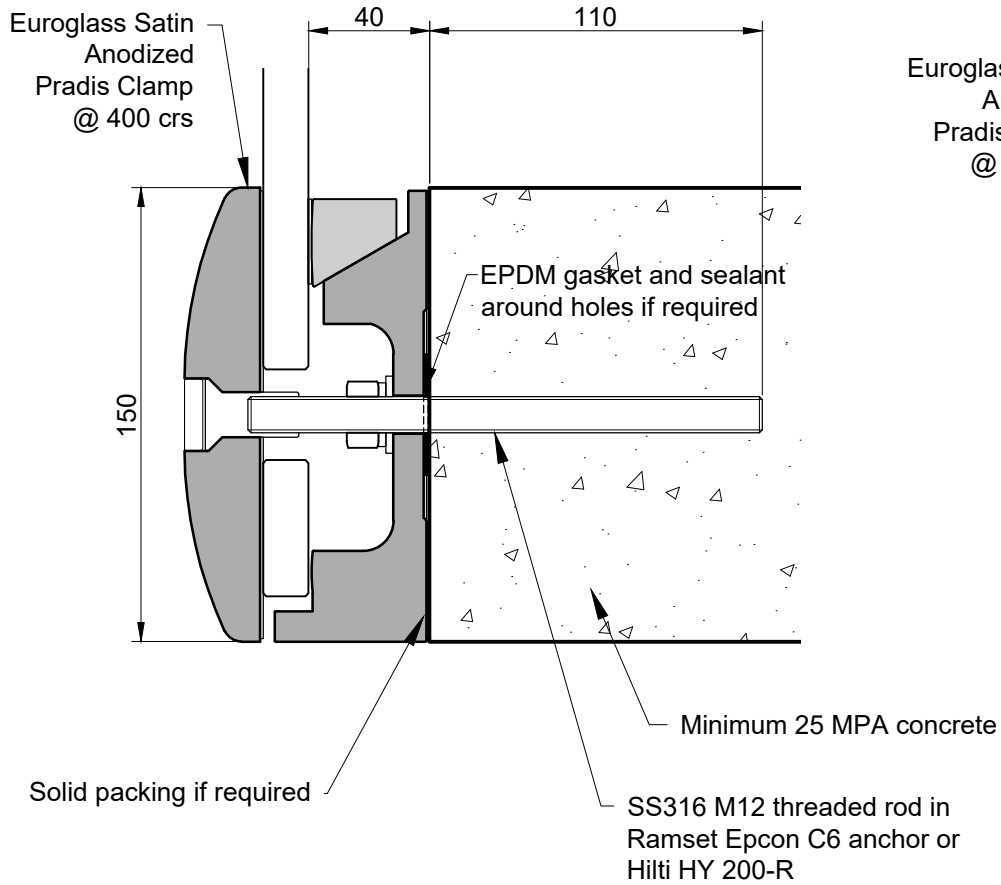
5. Viridian safety glass options are:

- a. 19mm toughened safety glass with interlinking rail
- b. 17.52mm toughened SentryGlas laminated glass with with a minimum pane width of 1200mm

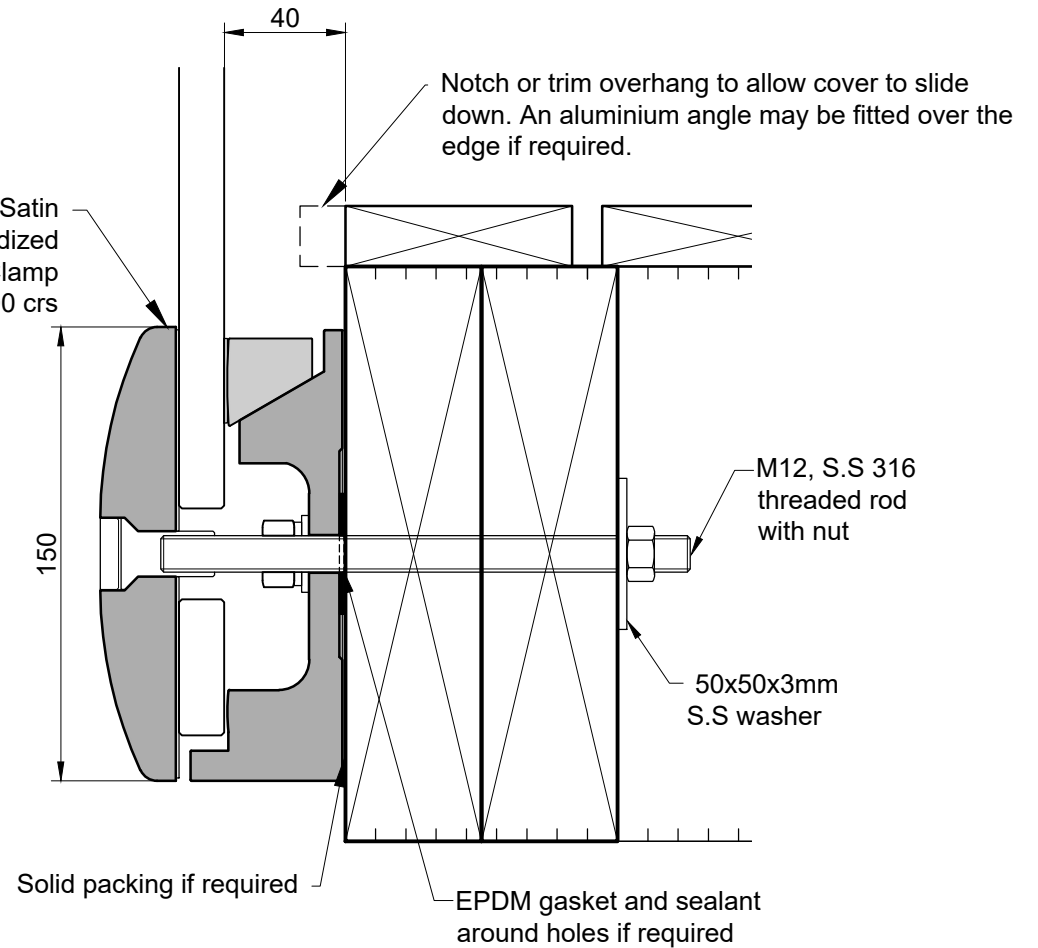
6. Interlinking rail must be connected to each glass pane or the building.

7. Maximum distance from side edge of glass to fixings - 200mm

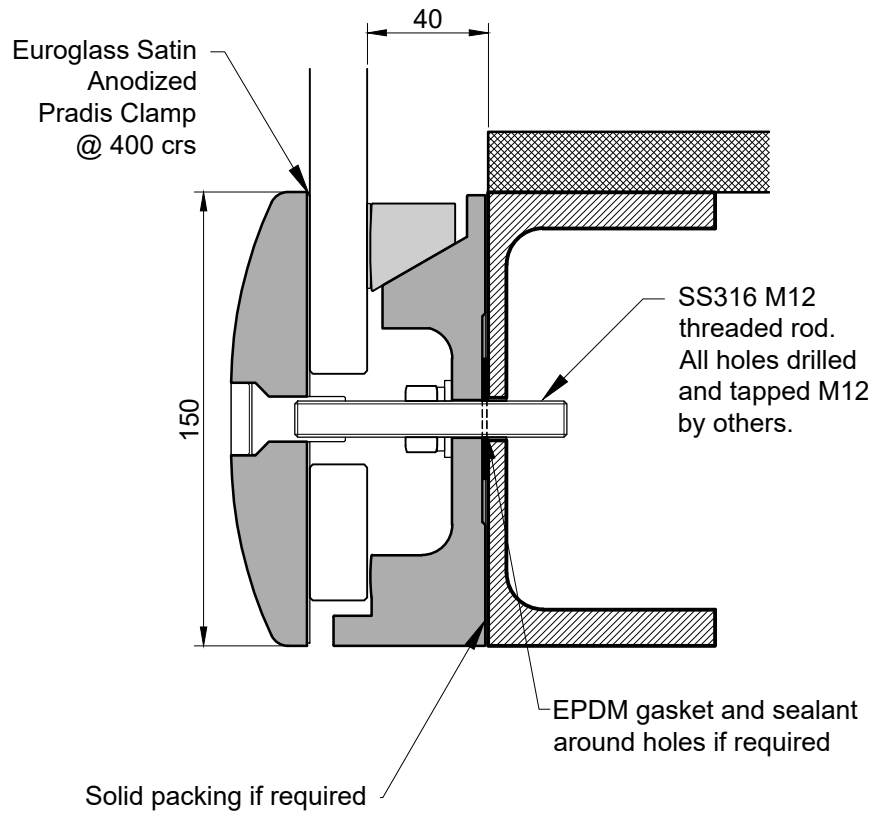




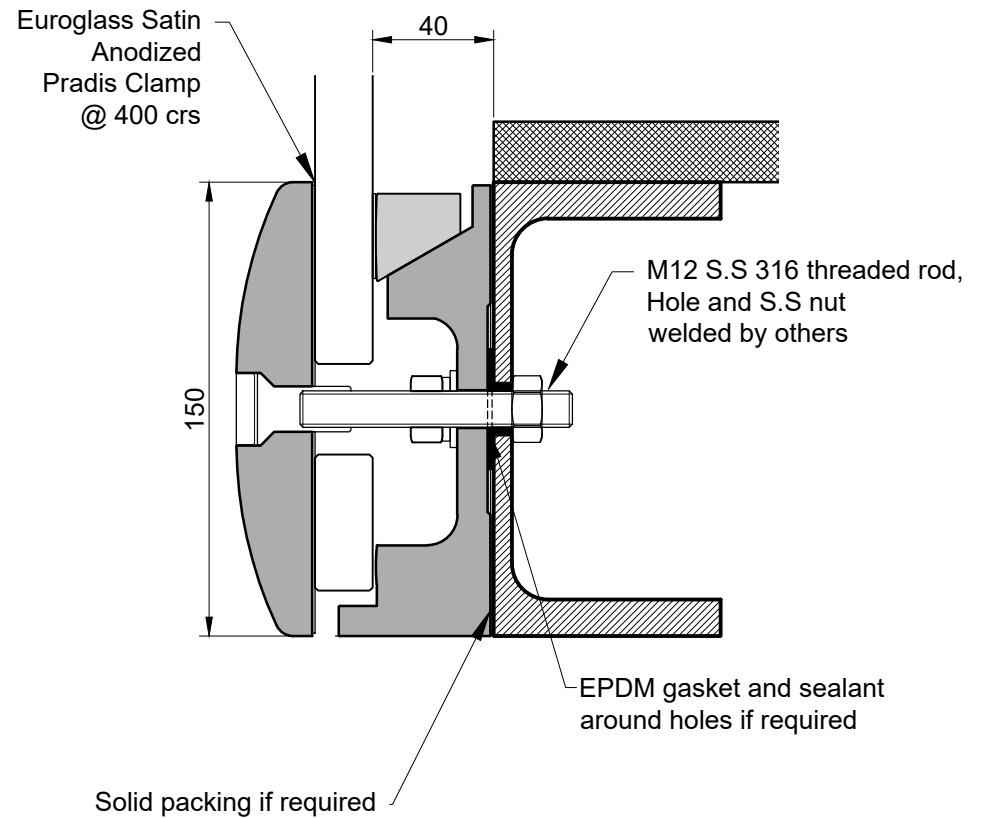
**CONCRETE**  
DETAIL A



**BOLT TROUGH SG8 TIMBER**  
DETAIL B



FOR INTERNAL INSTALLATION ONLY  
 DETAIL A



DETAIL B