

NOTES:

1. This proprietary balustrade system complies with New Zealand Building Code Clauses B1 Structure, B1/AS1 Amendment 15, B1/VM1, F2 Hazardous Building Materials and F4 Safety From Falling Third Edition, subject to:

- all products meeting the required performance specification
- site installation carried out in accordance with intent of this drawing

2. Maximum height H of glass above top anchors for residential occupancies A, A(other) and C3 of Table 3.3 AS/NZS 1170.1 and anchor spacings are:

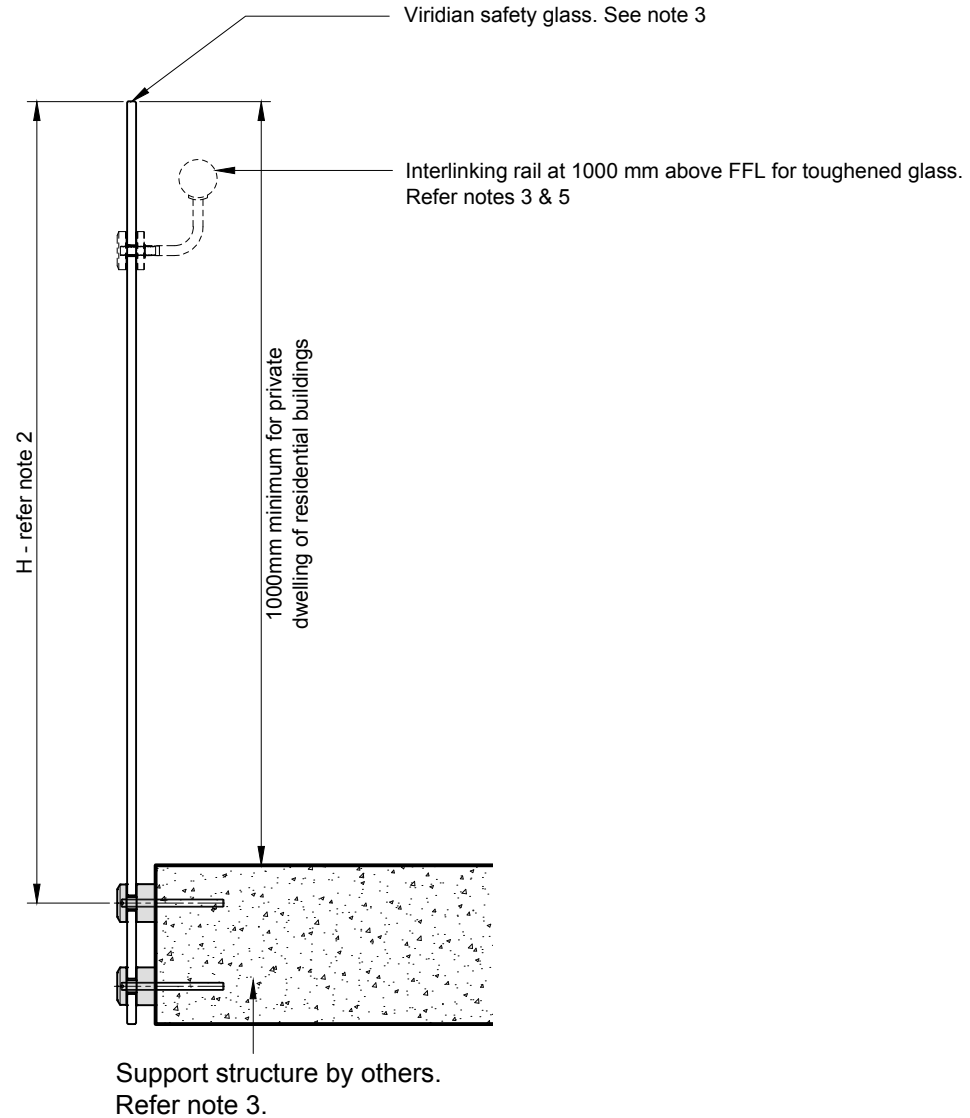
- H 1100mm maximum for up to very high wind zone 1.76 kPa
- EUBFSD50 discs and spacers at 600 mm crs for occupancy A, and 400 mm crs for occupancy A (other) and C3

3. Viridian safety glass options according to 22.4.3 of NZS 4223.3:2016 are:

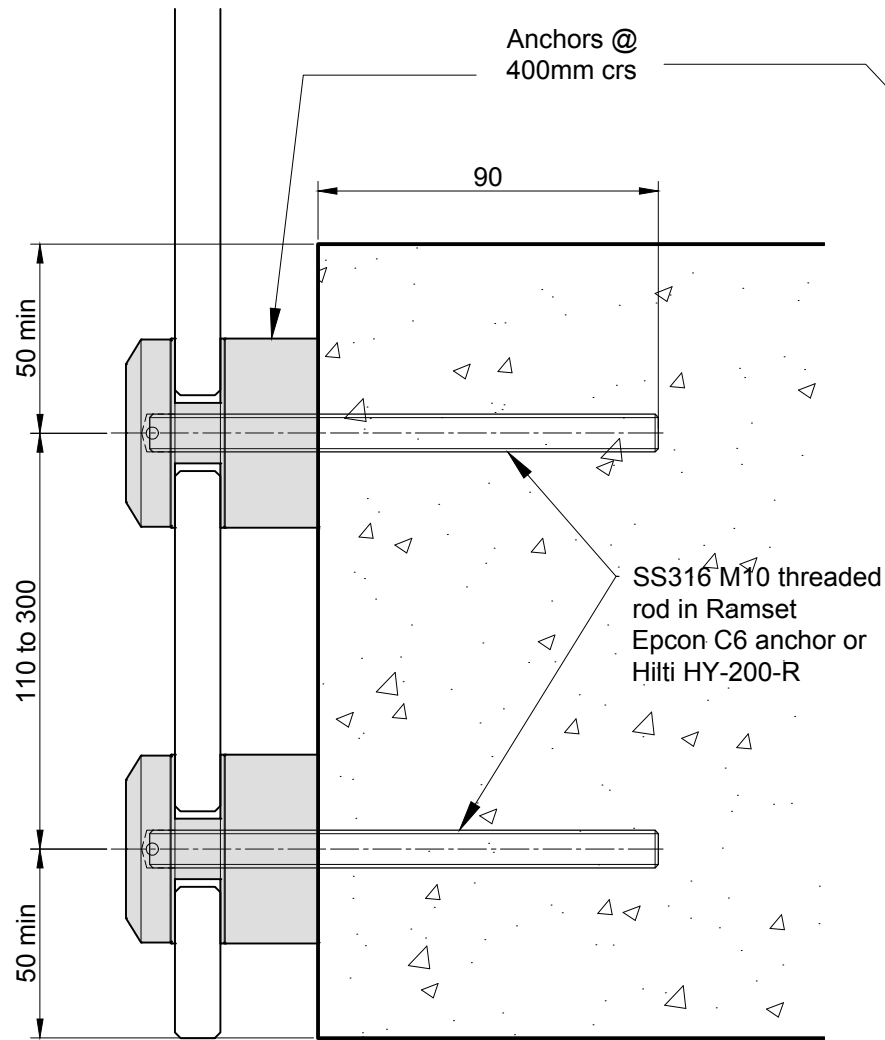
- a. 12mm toughened glass with interlinking rail
- b. 13.52mm toughened SentryGlas laminated glass with a minimum pane width of 1200mm

Interlinking rail must be connected to each glass pane or to the building.

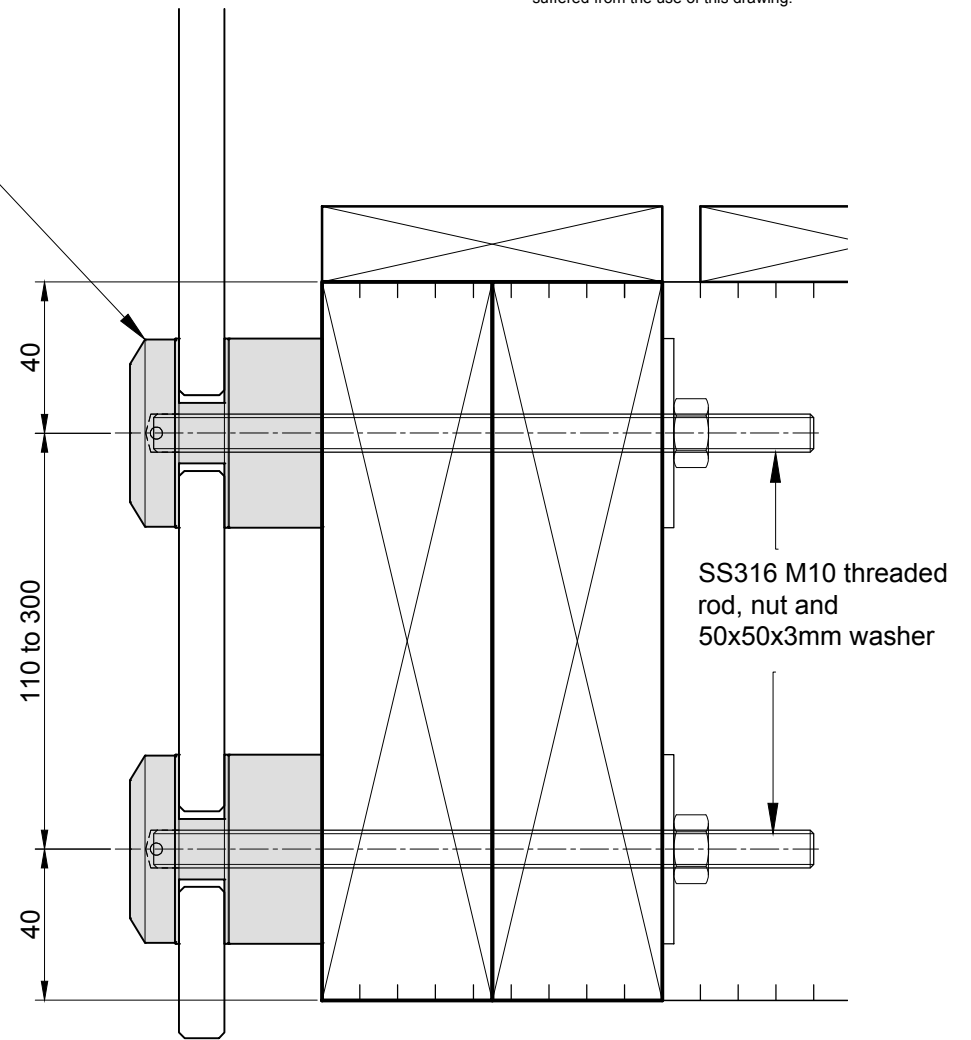
4. The design of the support structure is the responsibility of others.
5. A handrail of 32-50mm diameter is required for stairs and ramps exceeding 1:20 slope. Refer NZBC D1/AS1.
6. Maximum distance from side edge of glass to fixings is 200mm.



This drawing is provided as a general guide only. Viridian Glass Ltd Partnership disclaim any responsibility for loss or damage suffered from the use of this drawing.

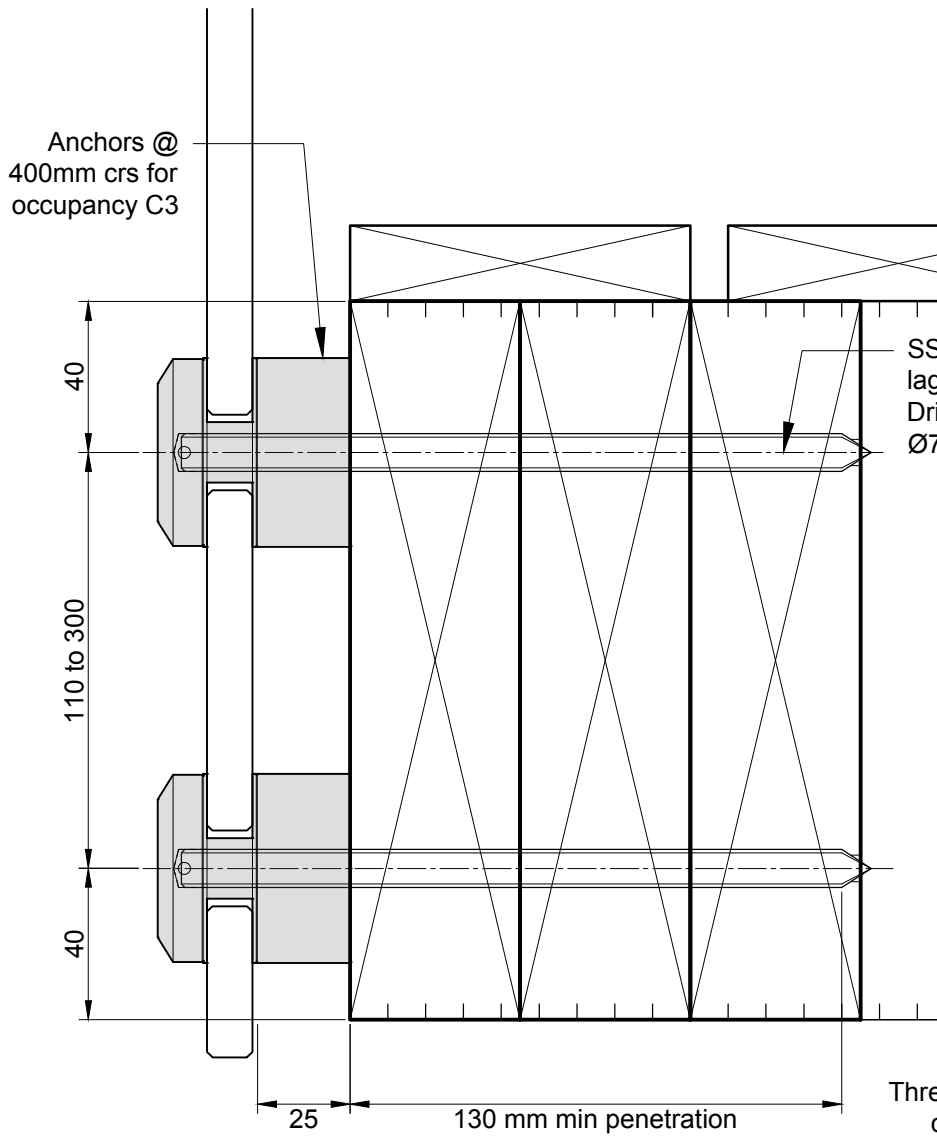


DETAIL A - CONCRETE

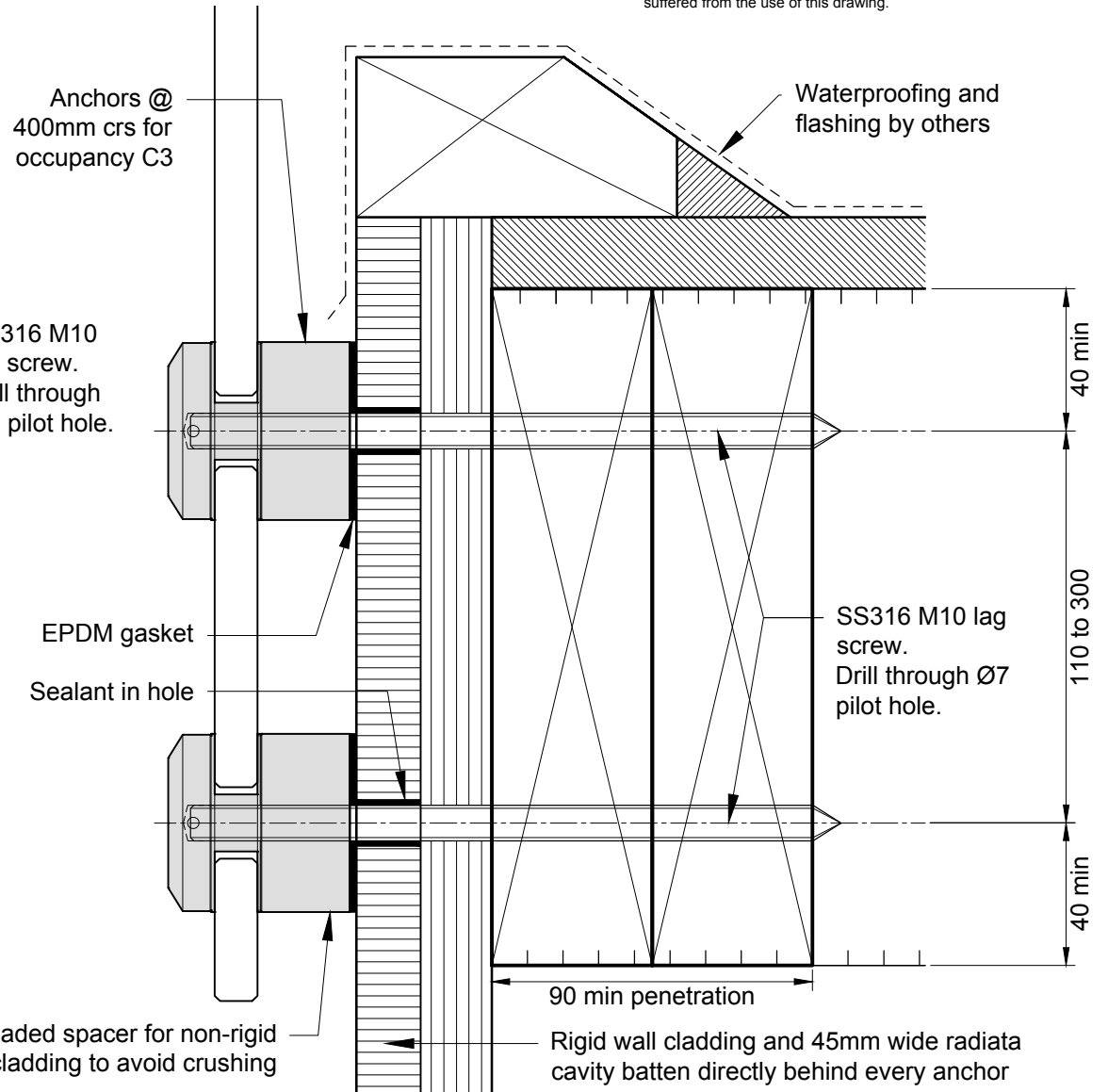


DETAIL B - SG 8 TIMBER

This drawing is provided as a general guide only. Viridian Glass Ltd Partnership disclaim any responsibility for loss or damage suffered from the use of this drawing.



DETAIL A - EXPOSED SG 8 TIMBER



DETAIL B - DRY CONCEALED SG 8 TIMBER



A division of Viridian Glass Ltd Partnership

EUROANCHOR RESIDENTIAL BALUSTRADE SYSTEM

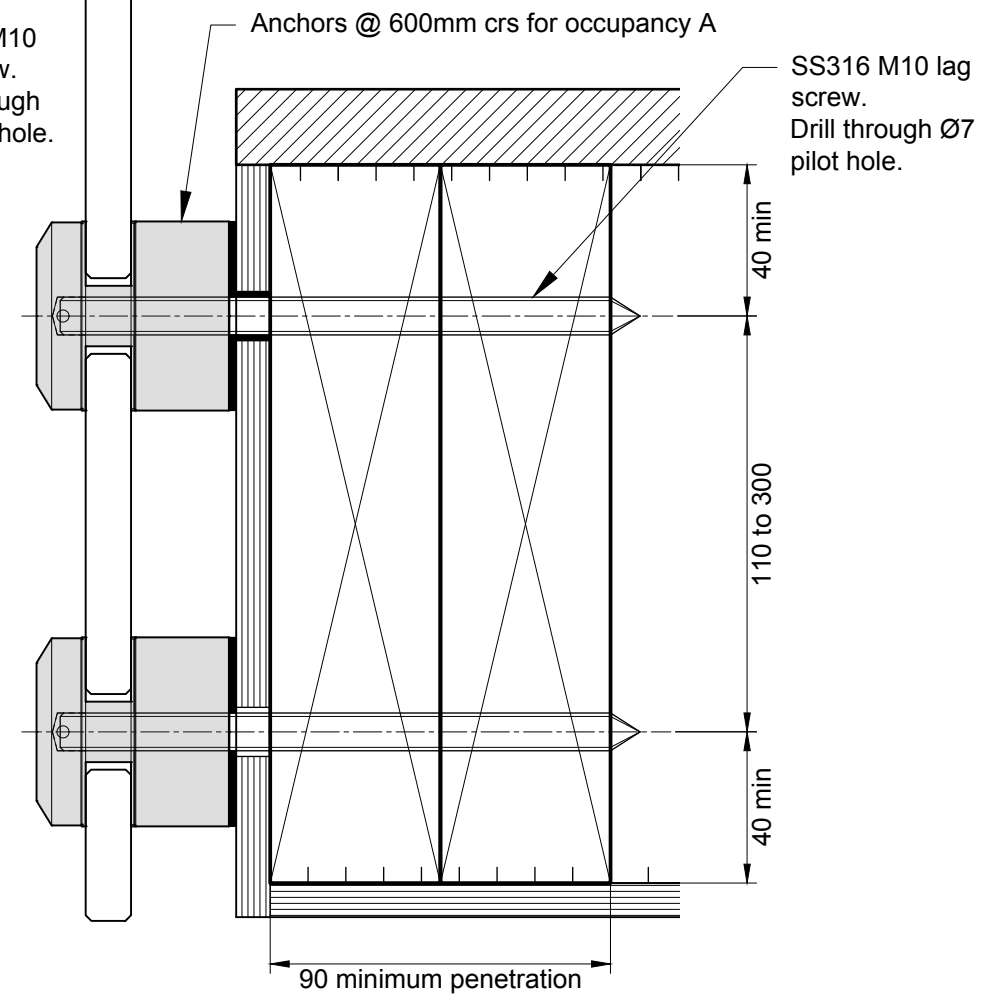
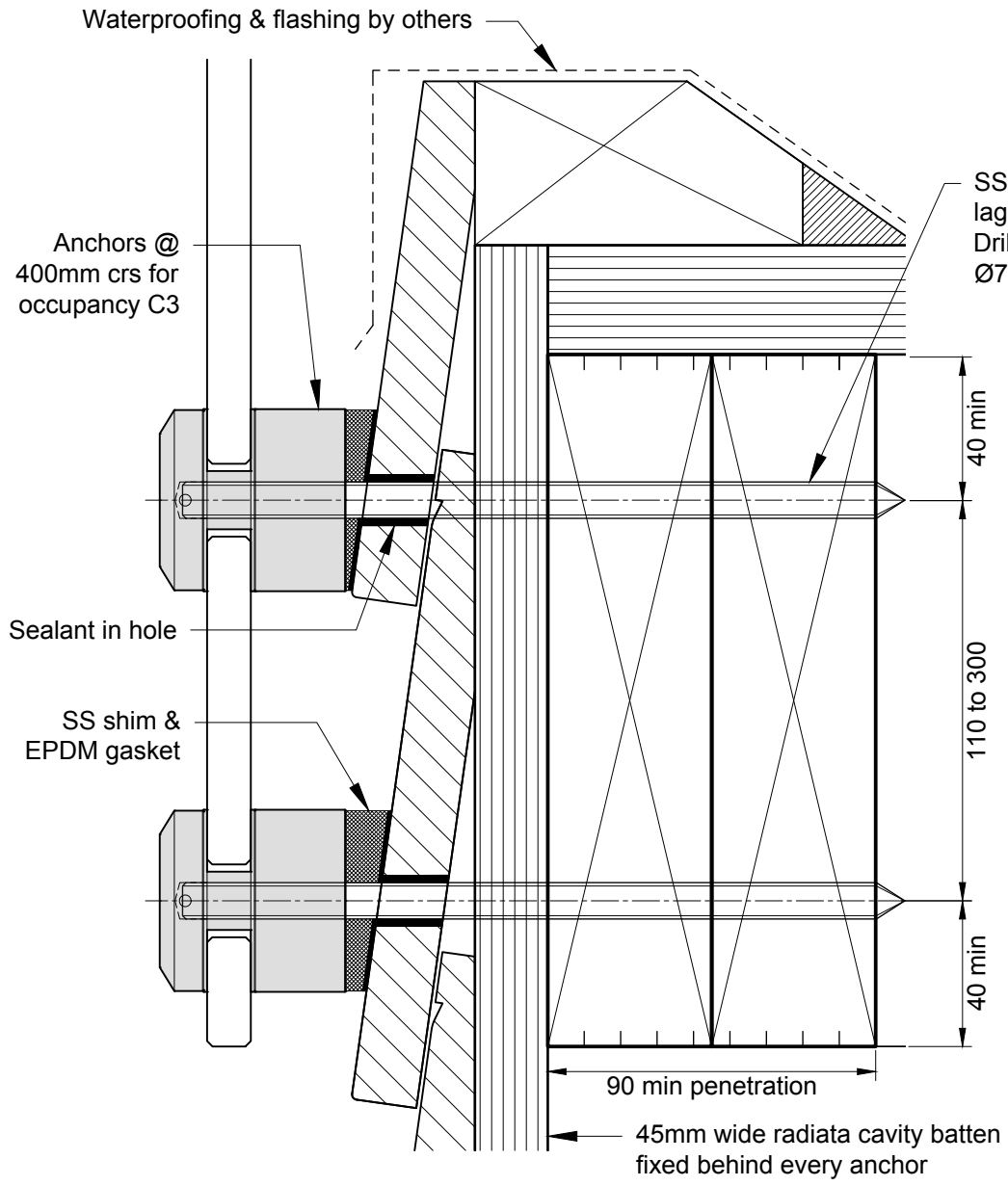
date 26-9-17

drawing no

scale 1:10, 1:4

ER-3d

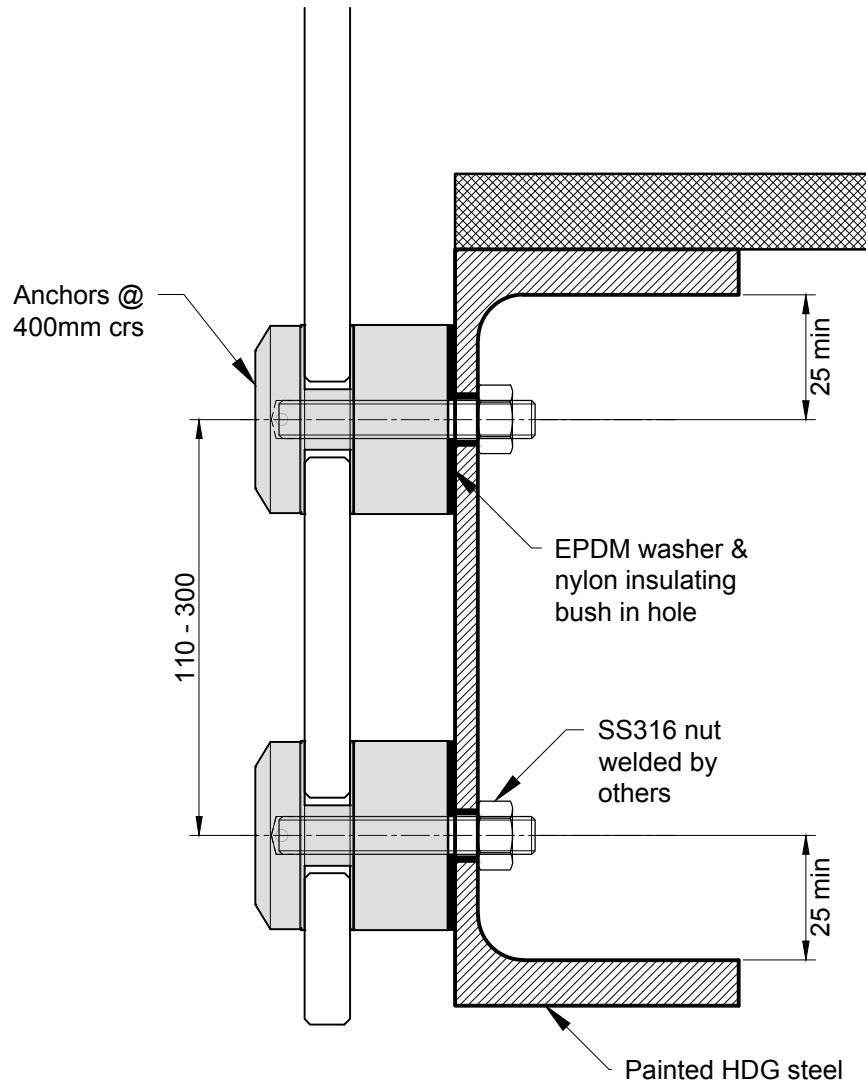
This drawing is provided as a general guide only. Viridian Glass Ltd Partnership disclaim any responsibility for loss or damage suffered from the use of this drawing.



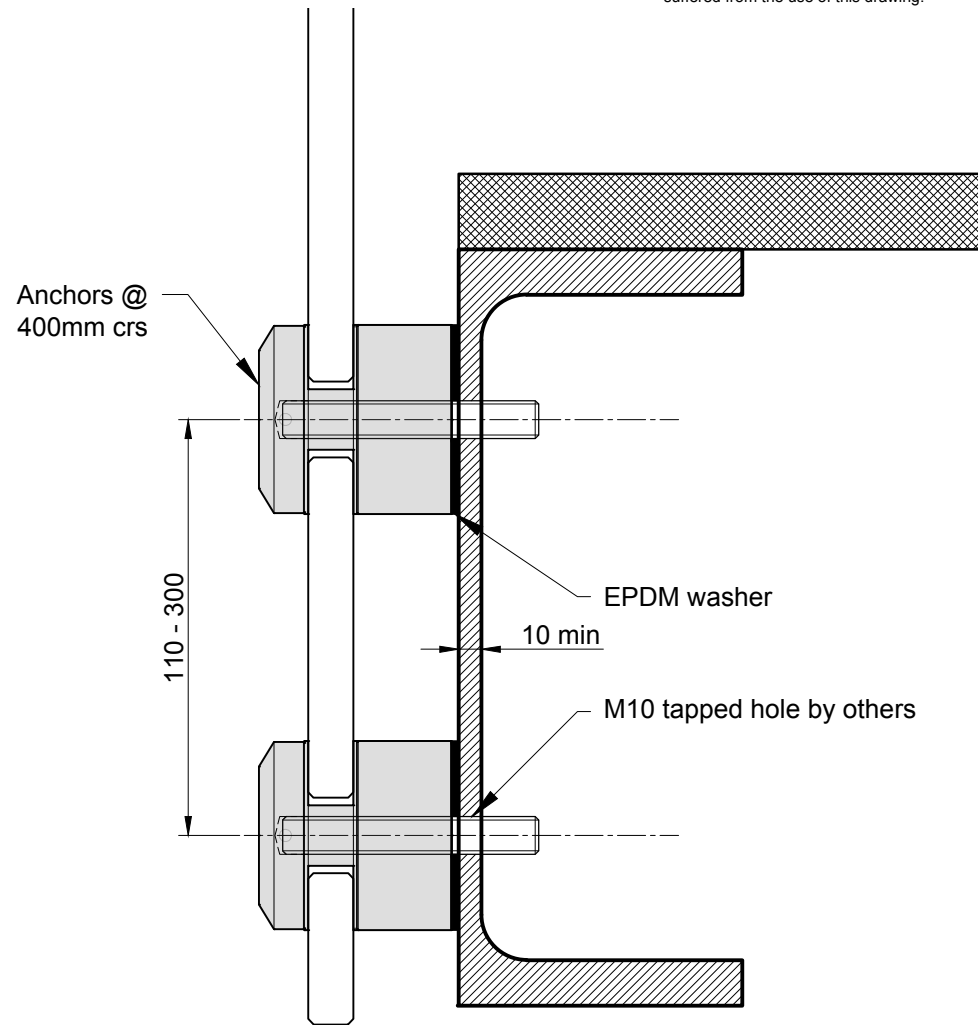
DETAIL A - ENCLOSED DECK SG 8 TIMBER

DETAIL B - INTERNAL INSTALLATION SG 8 TIMBER

This drawing is provided as a general guide only. Viridian Glass Ltd Partnership disclaim any responsibility for loss or damage suffered from the use of this drawing.

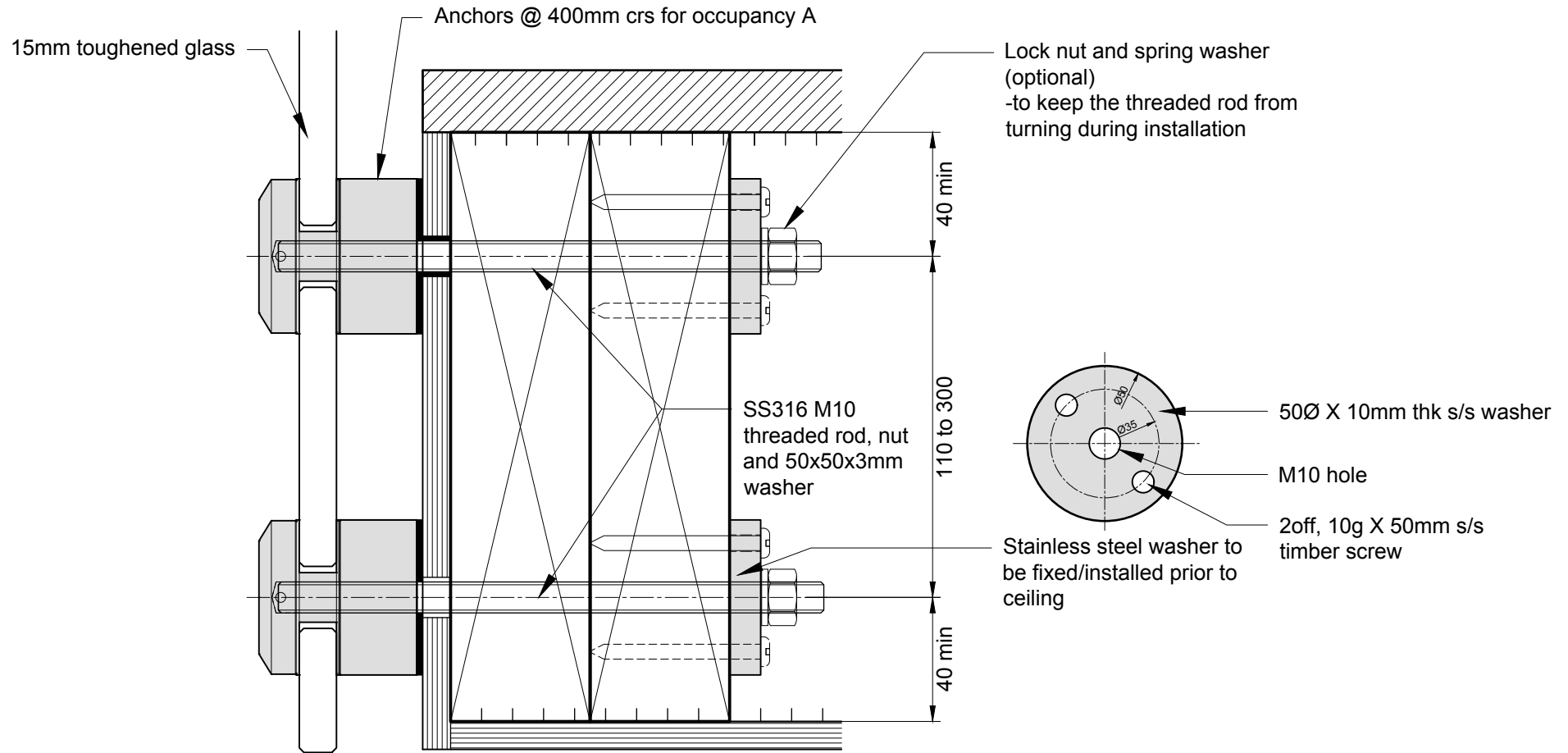


DETAIL A - STEEL - EXTERNAL



DETAIL B - STEEL - INTERNAL

This drawing is provided as a general guide only. Viridian Glass Ltd Partnership disclaim any responsibility for loss or damage suffered from the use of this drawing.



FIXING DETAIL w/ 10mm THK S/S WASHER