

IMPORTANT

These drawings are provided as a general guide and may be amended without prior notice. Please contact Euroglass for specific design.

NOTES:

1. This balustrade system complies with New Zealand Building Code Clauses B1 Structure, B1/AS1 Amendment 15, F2 Hazardous Building Materials and F4 Safety From Falling Third Edition, subject to:

- all products meeting the required performance specification
- site installation carried out in accordance with intent of this drawing
- minimum balustrade height of 1000mm from finished floor level

2. Based on residential occupancy A, A(other) or C3 of Table 3.3 AS/NZS 1170.1 and very high wind zone or less (1.76 kPa), maximum height and Pradis clamp spacings are:

- Maximum height 1100mm

- Pradis clamps @ 800mm crs for steel, concrete and bolt through with timber
- Pradis clamps @ 300mm crs for timber with lagscrew

3. The design of the concrete, steel or timber support for the balustrade is the responsibility of others.

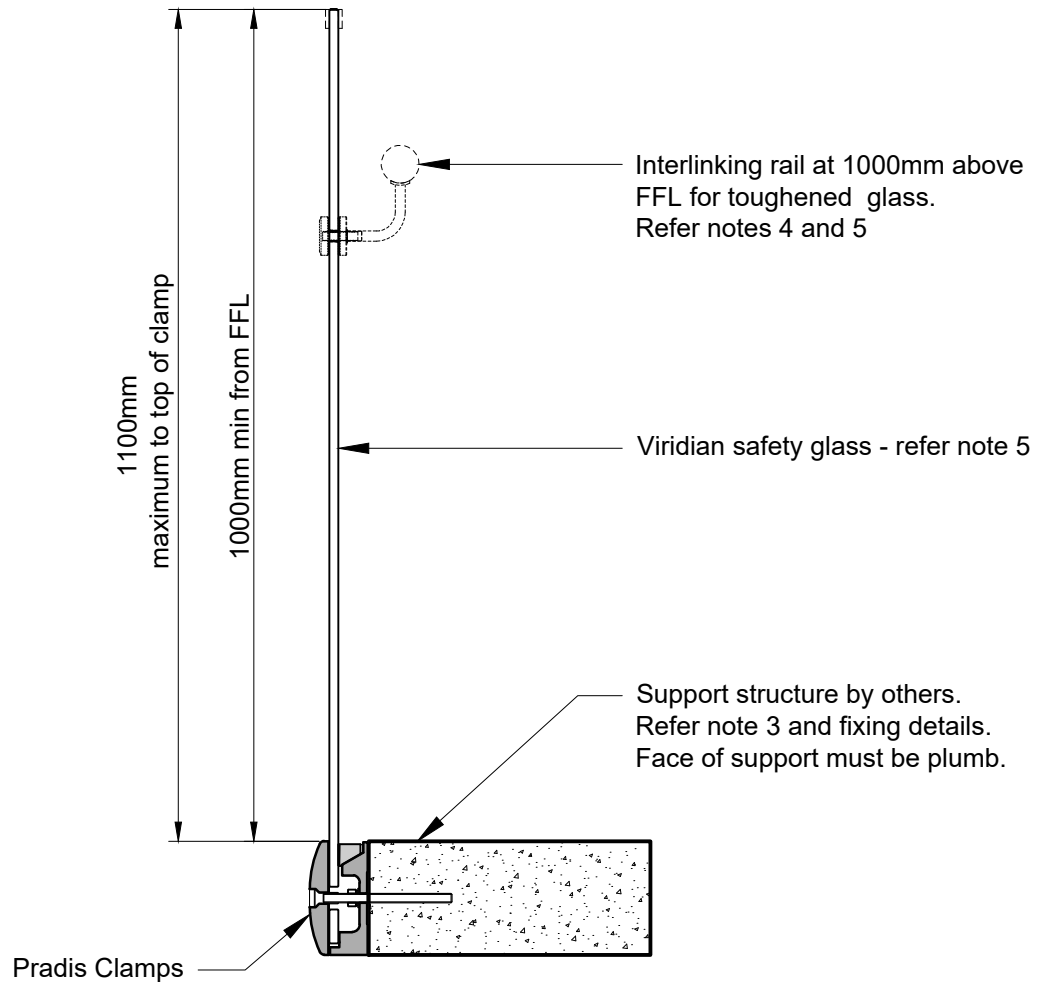
4. A handrail of 32-50mm diameter is required for stairs and ramps exceeding 1:20 slope. Refer NZBC D1/AS1.

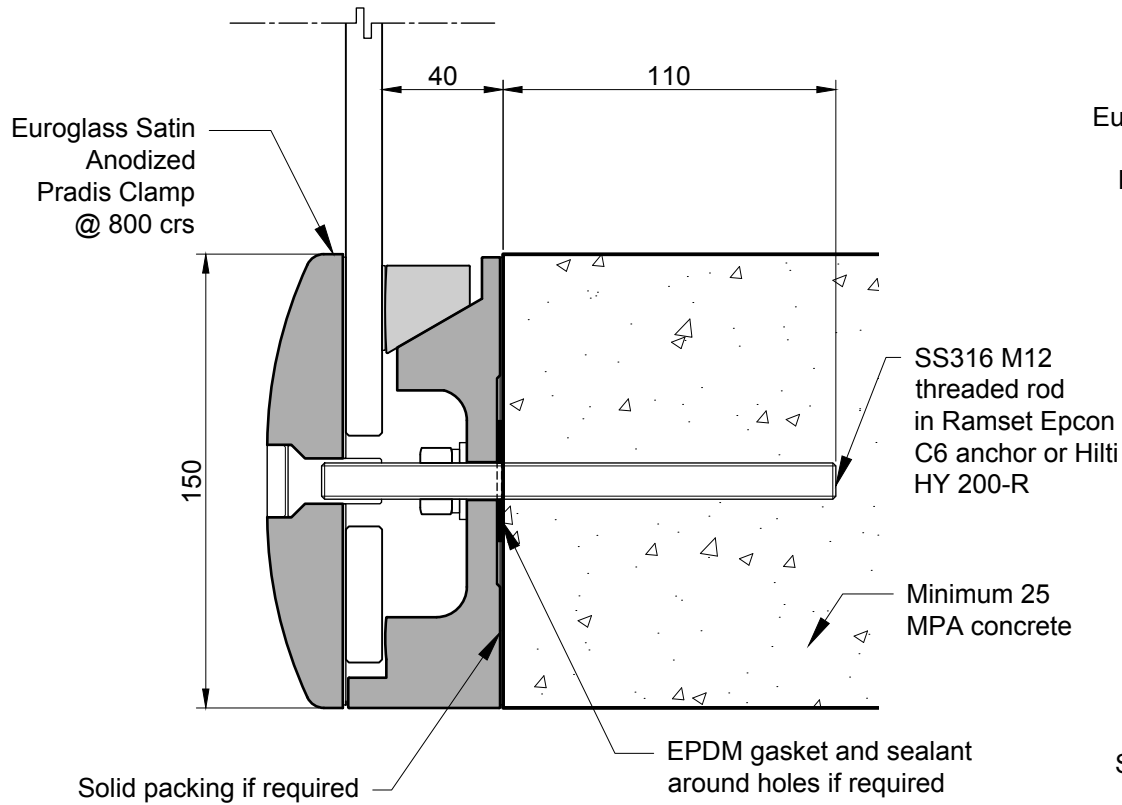
5. Viridian glass options according to 22.4.3 of NZS 4223.3:2016 are:

- 12mm toughened safety glass with interlinking rail
- 13.52mm toughened SentryGlas laminated glass with gap clamps
- 14.28mm toughened SentryGlas laminated glass with a minimum pane width of 1200mm

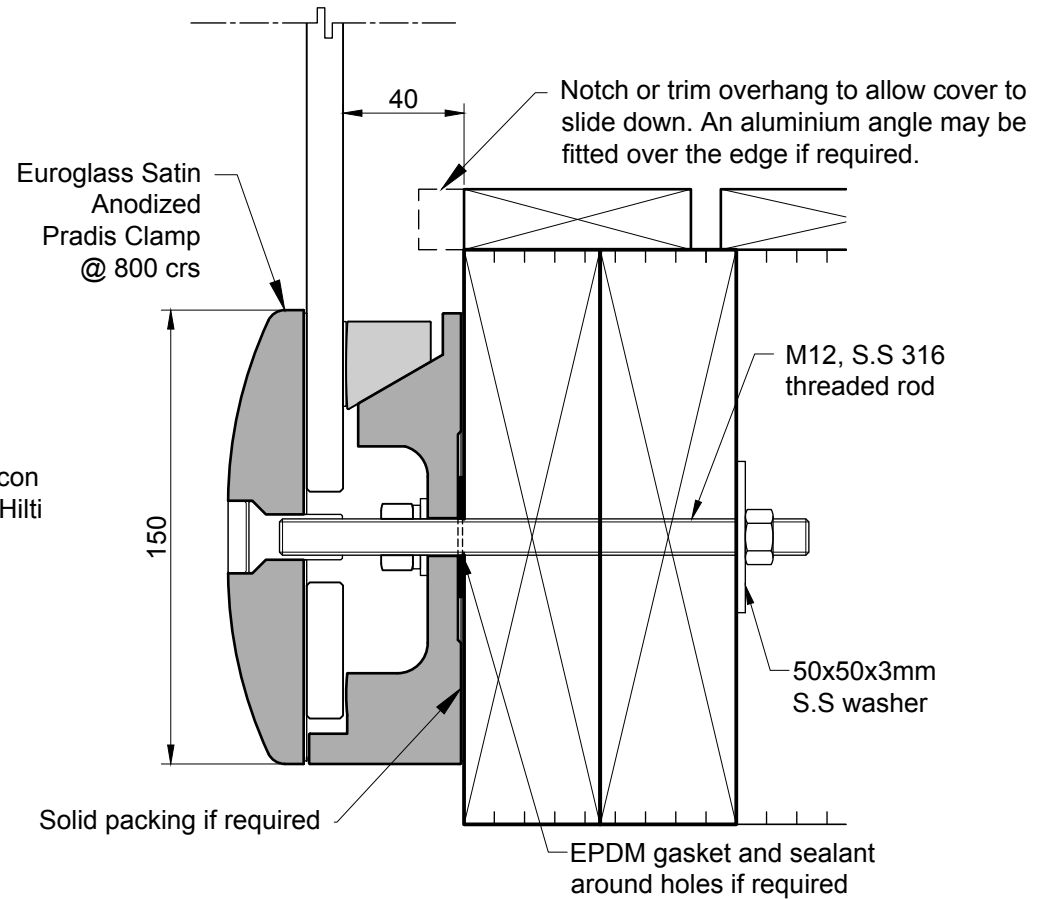
6. Interlinking rail or gap clamps, if required, must be connected to each glass pane or the building.

7. Maximum distance from side edge of glass to Pradis - 200mm.

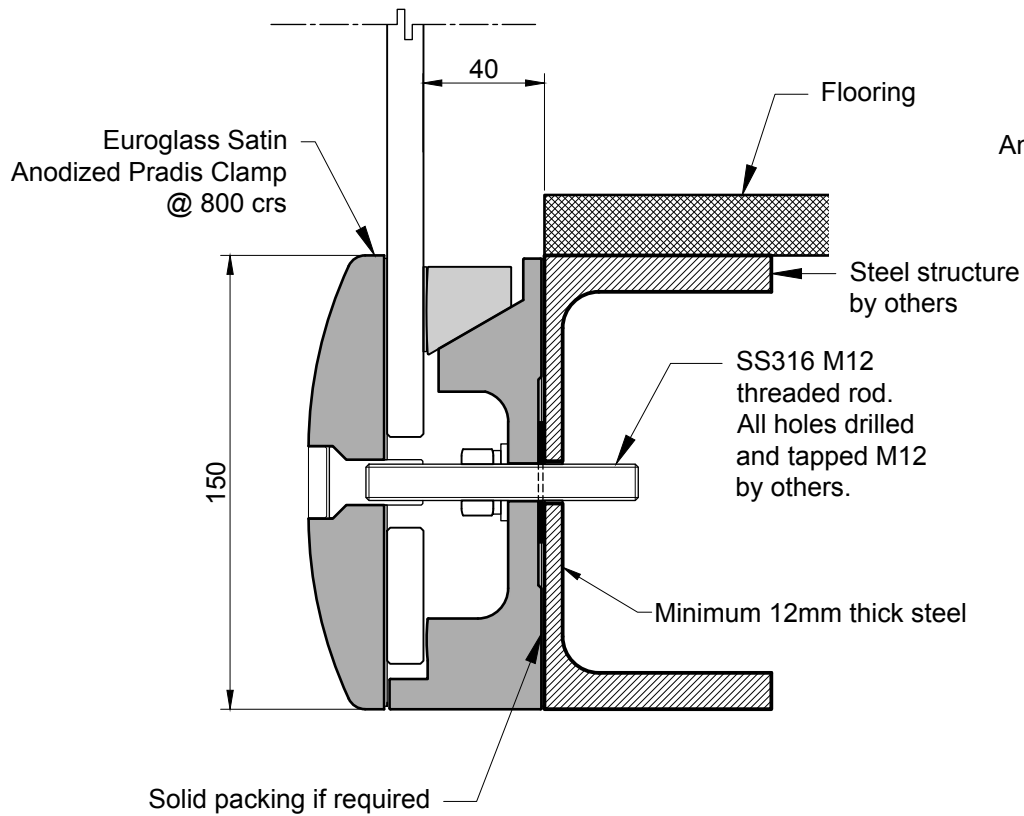




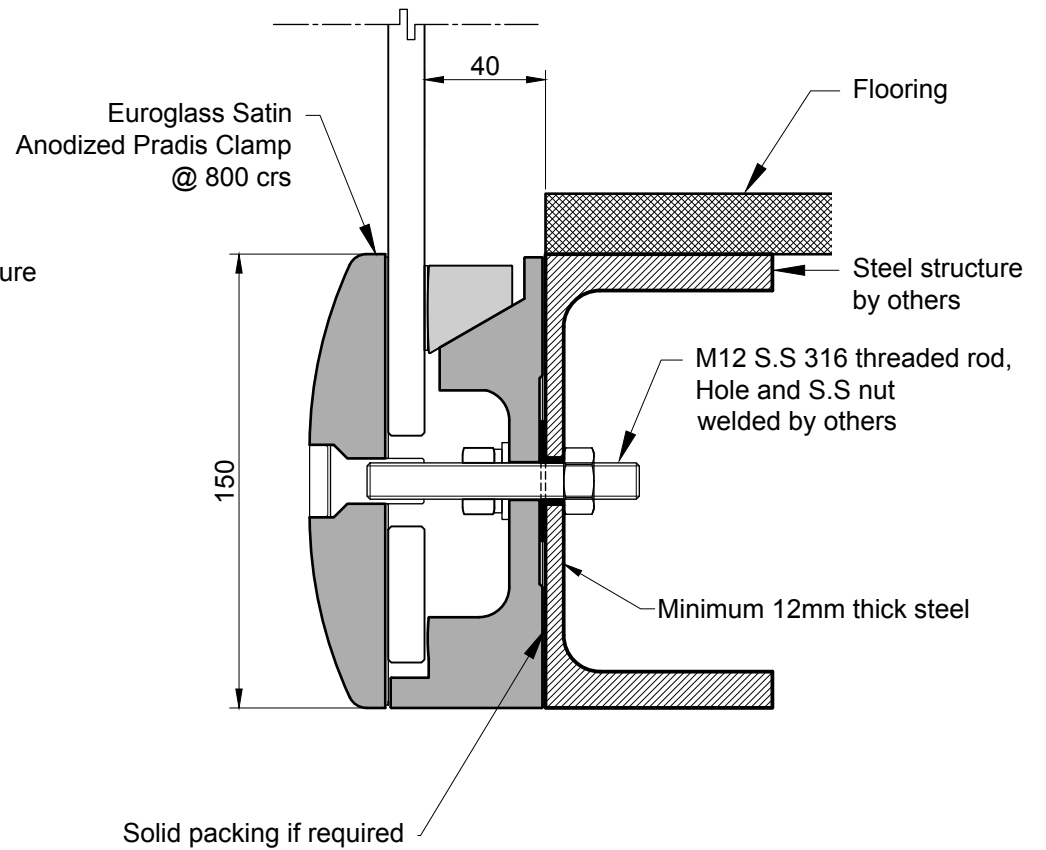
**FIXING DETAIL A
CONCRETE**



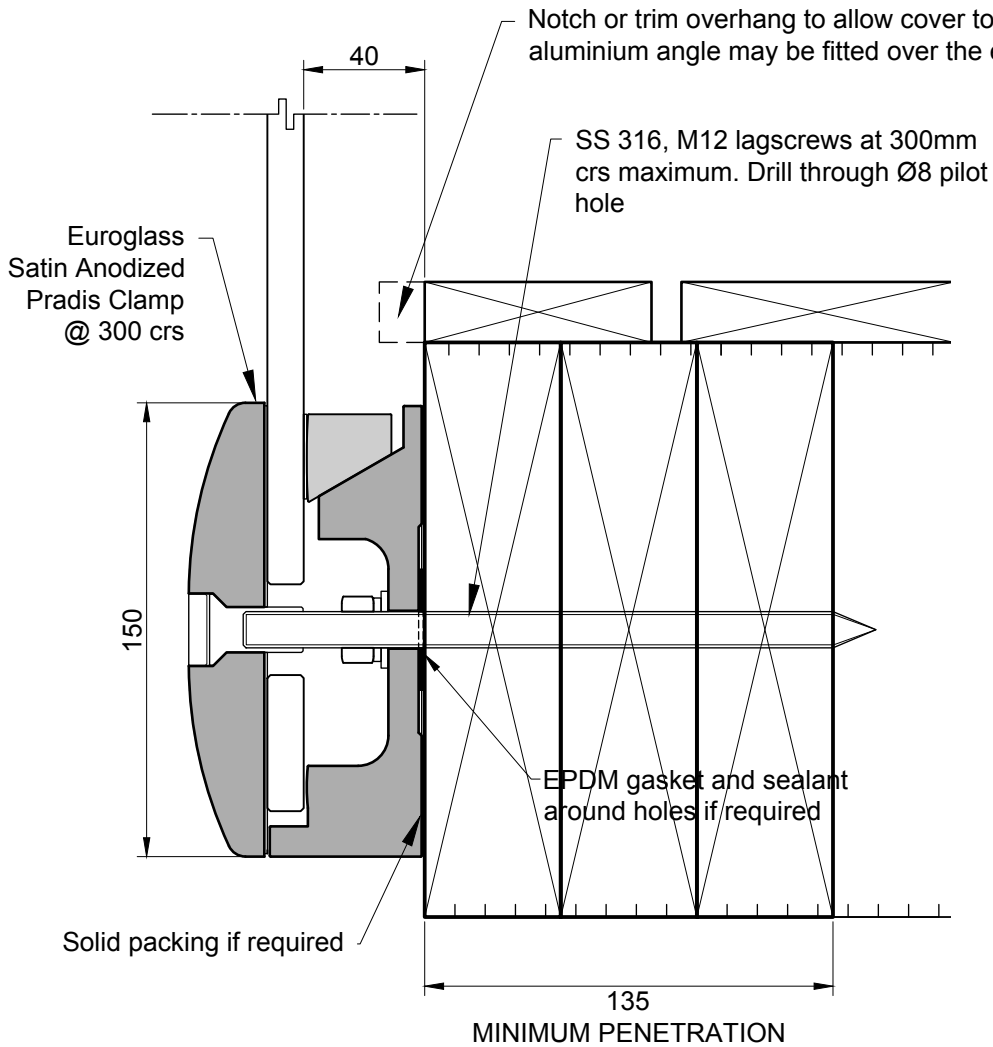
**FIXING DETAIL B
BOLT THROUGH SG8 TIMBER**



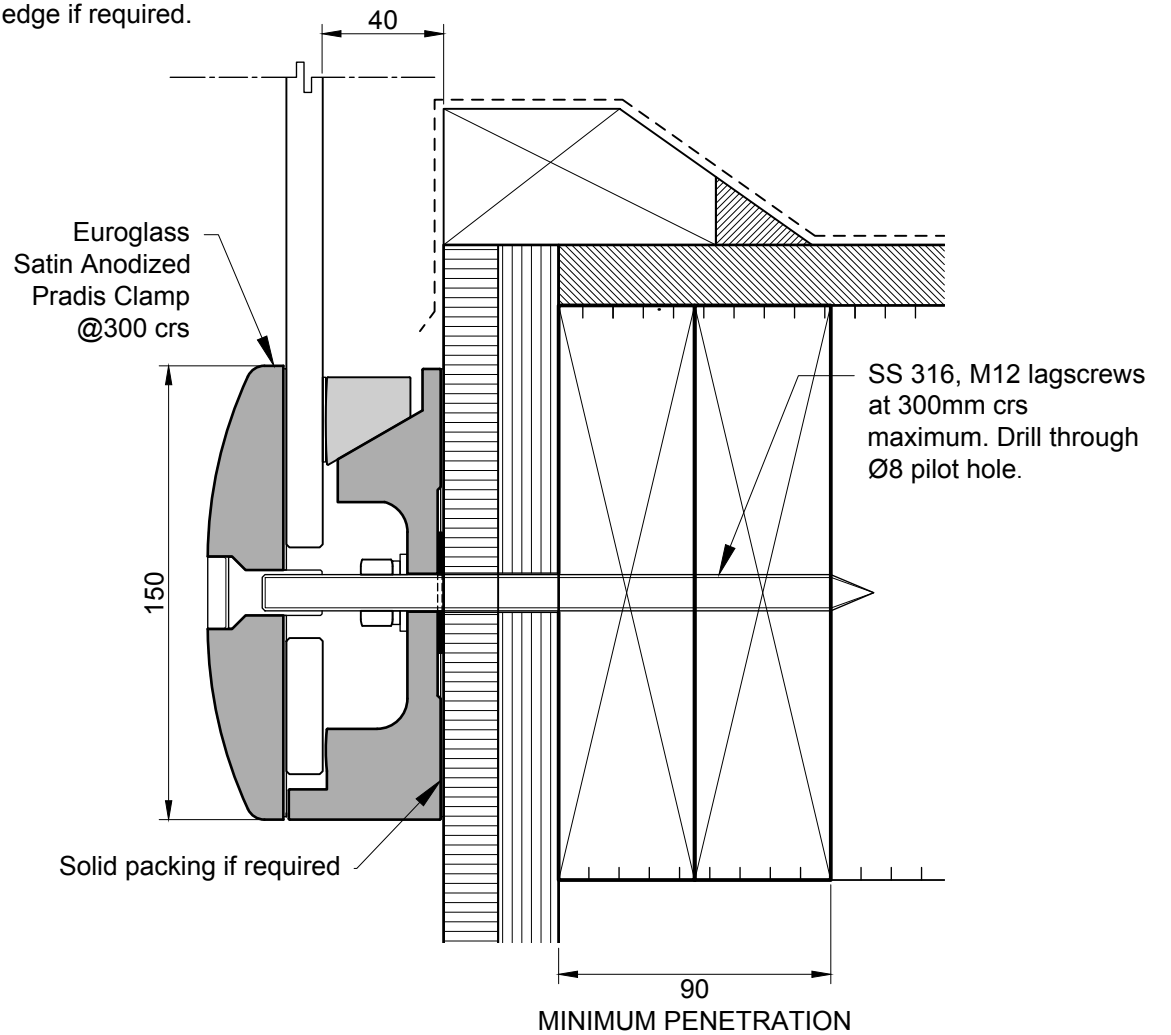
FIXING DETAIL A
FOR INTERNAL INSTALLATION ONLY



FIXING DETAIL B



FIXING DETAIL A
WET EXPOSED SG8 TIMBER



FIXING DETAIL B
DRY CONCEALED SG8 TIMBER